

PROJECT _____ FIRM _____ ORDER# _____ TYPE _____ QTY _____



Part of the extensive **Linear One®** family, these attractive aluminum-bodied indoor-rated linear fixtures are available in 1' and 4' lengths and are easily interconnected in series to simplify installation.

Flexibility is key, with a wide choice of configuration combinations, including: multiple emitter types, a full range of TIR optics, plus glare shields and louvers. All of which are fulfilled through our **Acclaim Modular** system in Los Angeles to ensure industry-leading delivery times.

Smooth single-channel dimming is delivered under 0-10V control. The internal auto-sensing power supply within each unit can accept mains inputs between 100 to 277VAC at 50 or 60Hz.

AT A GLANCE

Optics

- 10° x 10°
- 10° x 25°
- 10° x 40°
- 10 x 60°
- 30° x 30°
- 30° x 60°
- 40° x 10°
- 45° x 75°
- 60° x 10°
- 60° x 30°
- 60° x 60°
- 90° x 10°
- 100° x 100°

Options include Batwing 10° x 40° and Batwing 40° x 70° tilt.

Emitters

CCT whites

2100K or 2400K or 2700K or 3000K or 3500K or 4000K

Saturates

Red or Green or Blue or Amber

Power

100 to 277VAC
50/60Hz

Temperature

-40° F to 131° F
-40° C to 55° C

Protection

Ingress: **IP40**
Impact: **IK10**

Output

Up to **951 lumens** per linear foot

Control

0-10V

Core technologies

ACCLAIM MODULAR SYSTEMS

bin·one

CONFIGURE YOUR PRODUCT

LN **-COL** **-OPT**

Power (/ ft):

I = HO 12W
H = SO 8W
K = EO 4W

Length:

A = 1' (305mm)
D = 4' (1220mm)

Emitters:

A = 2700K, 80 CRI K = Red*
C = 3000K, 80 CRI L = Green*
D = 3500K, 80 CRI M = Blue*
E = 4000K, 80 CRI N = Amber*
F = 2700K, 90 CRI P = 2100K, 70 CRI*
G = 3000K, 90 CRI S = 2400K, 70 CRI*
H = 3500K, 90 CRI
J = 4000K, 90 CRI

Optics:

C = 10° x 10° S = 45° x 75°
G = 30° x 30° Y = 60° x 30°
I = 40° x 10° Z = 90° x 10°
J = 60° x 10° T = Asym. Wall Wash Left
K = 60° x 60° (60° x 60° + 20° tilt)
L = 100° x 100° U = Asym. Wall Wash Right
M = 10° x 40° (60° x 60° + 20° tilt)
N = 10° x 25° V = Batwing (split 10° x 40°)
R = 10° x 60° W = Batwing (split 40° x 70°)
Q = 30° x 60°

Example final code: **LNID-COLH-OPTK**

Optic options T and U: Tilt directions as viewed from the input end of the fixture
* indicates special order items, which may require longer lead times

acclaimlighting.com

Specifications subject to change without notice / August 2023

Page 1 of 9

PROJECT	FIRM	ORDER #	TYPE	QTY
---------	------	---------	------	-----

SPECIFICATIONS

Emitters	2100K, 2400K, 2700K, 3000K, 3500K, 4000K, Red, Green, Blue, Amber
Optics	10° x 10°, 10° x 25°, 10° x 40°, 10° x 60°, 30° x 30°, 30° x 60°, 40° x 10°, 45° x 75°, 60° x 10°, 60° x 30°, 60° x 60°, 90° x 10°, 100° x 100°, Asymmetric Wall Wash: Left or Right - <i>as viewed from the input end</i> (60° x 60° + 20° tilt), Batwing (split 10° x 40° or 40° x 70°)
Lumen maintenance	L ₇₀ 150,000 hours (@ 25° C)
Control	0-100% dimming via internal 0-10V driver; maximum 300' (91m) 0-10V cable run (18AWG)
Maximum fixtures in series	80 linear feet (24m). <i>See page 9</i>
Housing lengths	1' (305mm) or 4' (1220mm)
Operating voltage	100-277VAC, 50/60 Hz
Power consumption	HO: 1': 12W, 4': 48W, SO: 1': 8W, 4': 32W, EO: 1': 4W, 4': 16W
Fixture connectors	End-to-end multi-pin connection cables included
Mounting	90° swivel mounting brackets included, flat mounting brackets optional
Material	Aluminum body, polycarbonate lenses
Finish	Silver / finished aluminum
Ambient operating temp.	-4° F to 113° F (-20° C to 45° C)
Ingress protection	IP40, dry location
Impact protection	IK10, protection against 20 joule impact (40cm distance)
Warranty	5 years, limited
Weight	1': 1.6 lbs (0.72kg), 4': 6.4 lbs (2.9kg)
Dimensions	LxWxH: 12" or 48" x 1.96" x 2.48" (305 or 1220 x 50 x 63mm). <i>See also page 5</i>
Certifications	 

PHOTOMETRICS

For all available IES files, please visit acclaimlighting.com/linear-one-interior

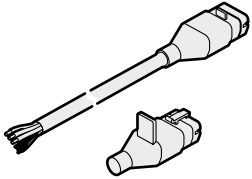
Color temperature	Lumens (/ft)	Max Candela	Efficacy (lm/W)	CRI	TM30
2700K (HO - 12W/ft - 10° x 10°)	775	7,485	67	82	83.1
3000K (HO - 12W/ft - 10° x 10°)	794	7,612	68	82.7	83.7
3500K (HO - 12W/ft - 10° x 10°)	820	7,756	70	84.7	84.9
4000K (HO - 12W/ft - 10° x 10°)	951	7,807	82	85.7	85.4
2700K (EO - 4W/ft - 10° x 10°)	252	1,881	63	80.1	80.2
3000K (EO - 4W/ft - 10° x 10°)	268	2,097	67	82.3	81.1
3500K (EO - 4W/ft - 10° x 10°)	264	1,965	66	84.4	82.7
4000K (EO - 4W/ft - 10° x 10°)	260	1,930	65	85.3	84.2

PROJECT	FIRM	ORDER #	TYPE	QTY
---------	------	---------	------	-----

RELATED COMPONENTS

Cable and connectors

Feed cables and end cap (required)



LNFC10

10' Feed Cable

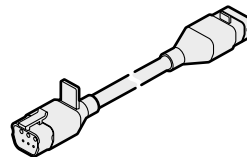
Multi-pin connector to bare wire AC + 0-10V

LNFC50

50' Feed Cable

Multi-pin connector to bare wire AC + 0-10V

Link cables (optional)



LNLC0

6" Link Cable

Multi-pin connector to multi-pin connector, use for curved runs

LNLC1

1' Link Cable

Multi-pin connector to multi-pin connector

LNLC5

5' Link Cable

Multi-pin connector to multi-pin connector

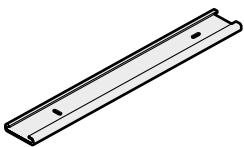
LNLC10

10' Link Cable

Multi-pin connector to multi-pin connector

Mounting accessories

Tracks



LNMT1

1' mounting track

Aluminum profile, screws not included

LNMT4

4' mounting track

Aluminum profile, screws not included

Flat brackets

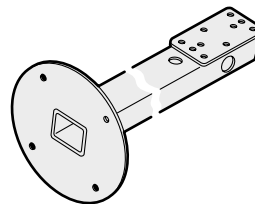


LNFBM

Flat Mounting Bracket

2 pcs required per fixture, factory fitted option

Extender bars



LNEB0.5

6" extender bar

Aluminum body, mounting screws included

LNEB1

1' extender bar

Aluminum body, mounting screws included

LNEB2

2' extender bar

Aluminum body, mounting screws included

LNEB3

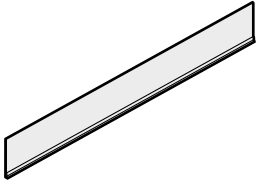
3' extender bar

Aluminum body, mounting screws included

RELATED COMPONENTS

Beam accessories

Glare shields

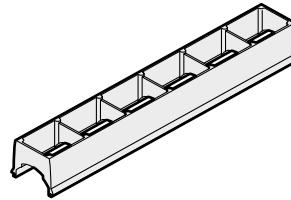
**LNIGS1**

1' single-sided glare shield

LNIGS4

4' single-sided glare shield

Louvers

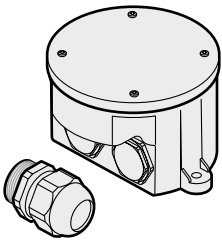
**LNILV1**

1' full louver

(use 4 pcs. for 4' fixtures)

Control accessories

Junction box

**AJBOX1**

IP66 NEC compliant high+low voltage junction box

1/2" conduit inputs for AC + 0-10V, 3/4" conduit for LNFC##

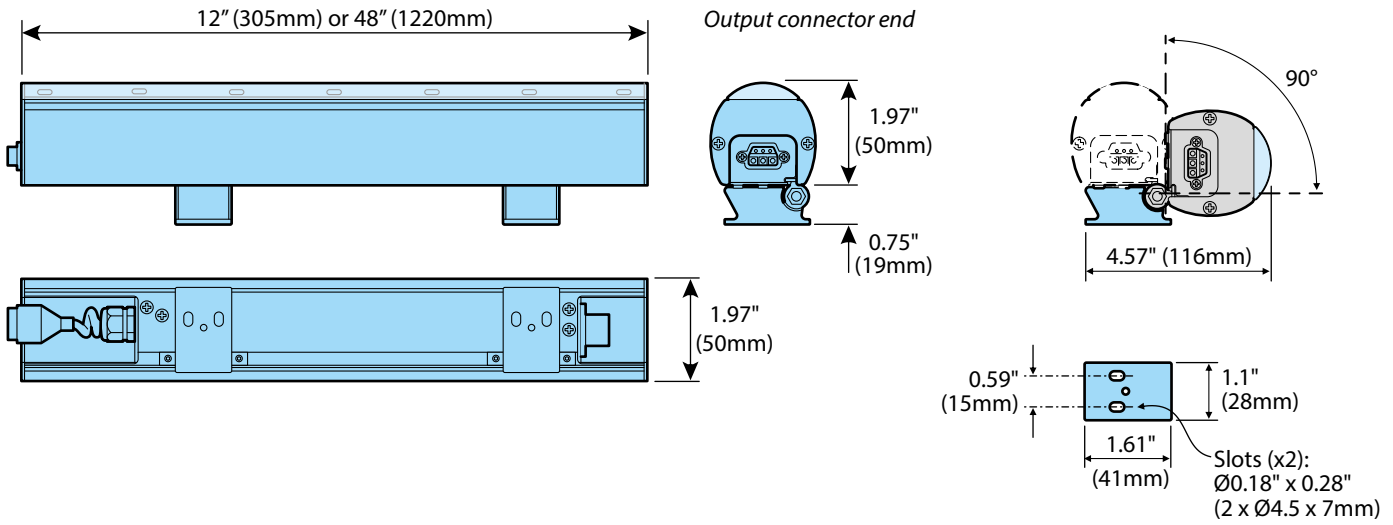
Built-in AC surge protection up to 10kV & 10kA



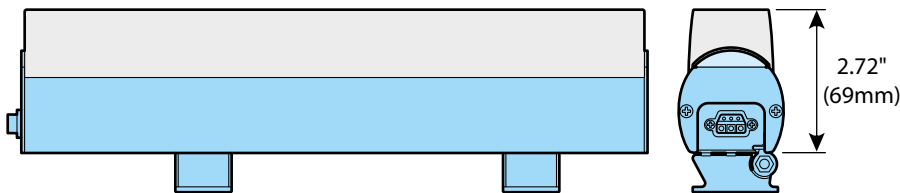
SCAN
FOR
PRODUCT
PAGE

PROJECT _____ FIRM _____ ORDER # _____ TYPE _____ QTY _____

DIMENSIONS



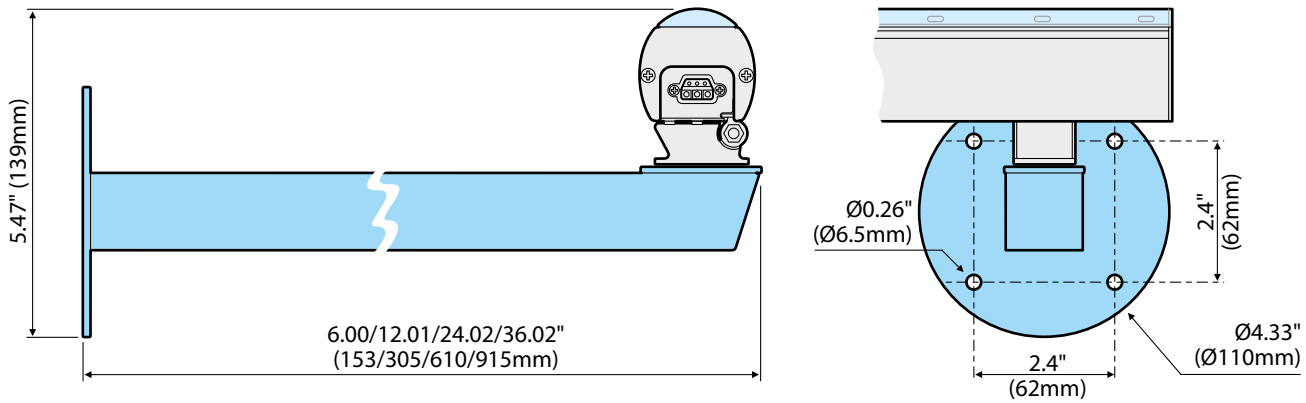
With louver fitted



PROJECT: _____ FIRM: _____ ORDER #: _____ TYPE: _____ QTY: _____

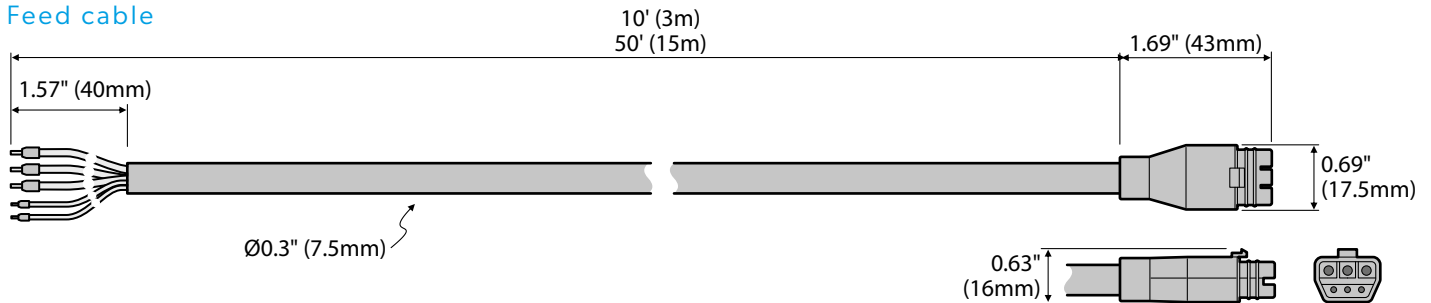
DIMENSIONS

Optional extender bars

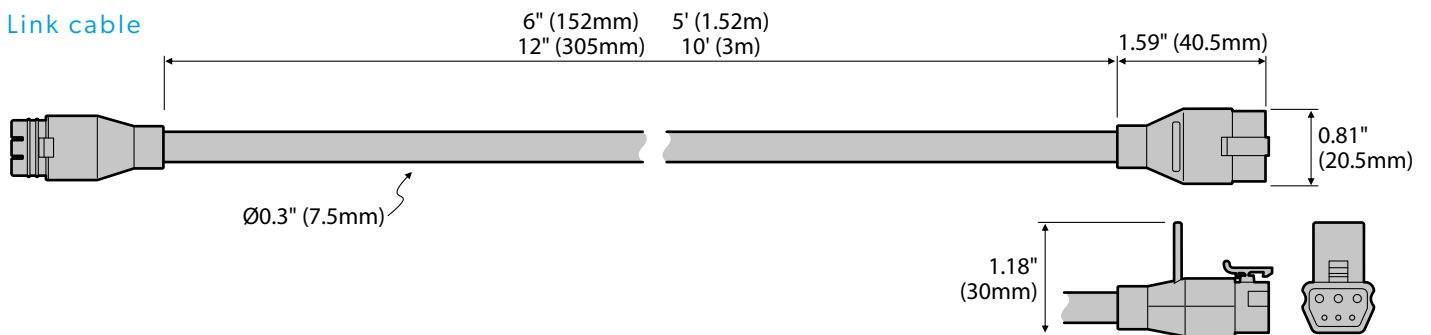


Cables

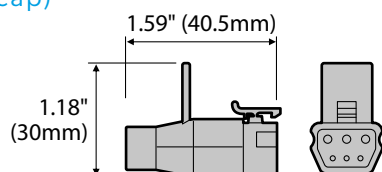
Feed cable



Link cable



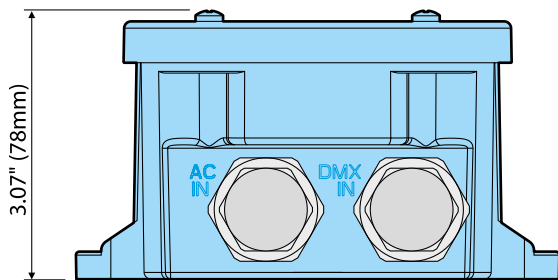
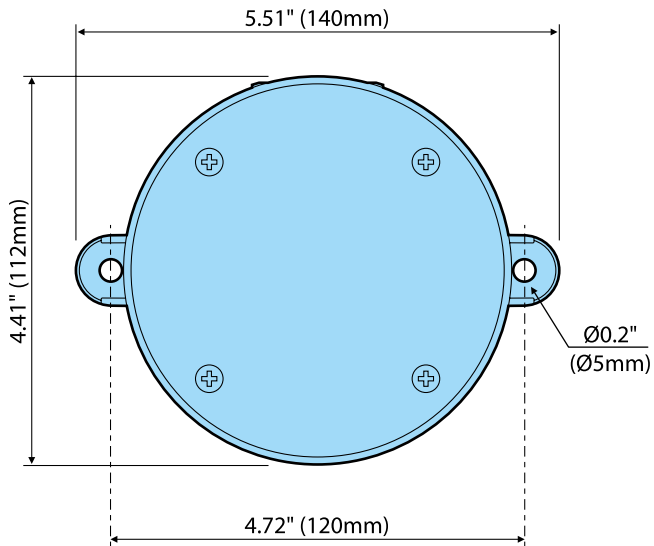
Terminator (end cap)



PROJECT	FIRM	ORDER #	TYPE	QTY
---------	------	---------	------	-----

DIMENSIONS

AJBOX1

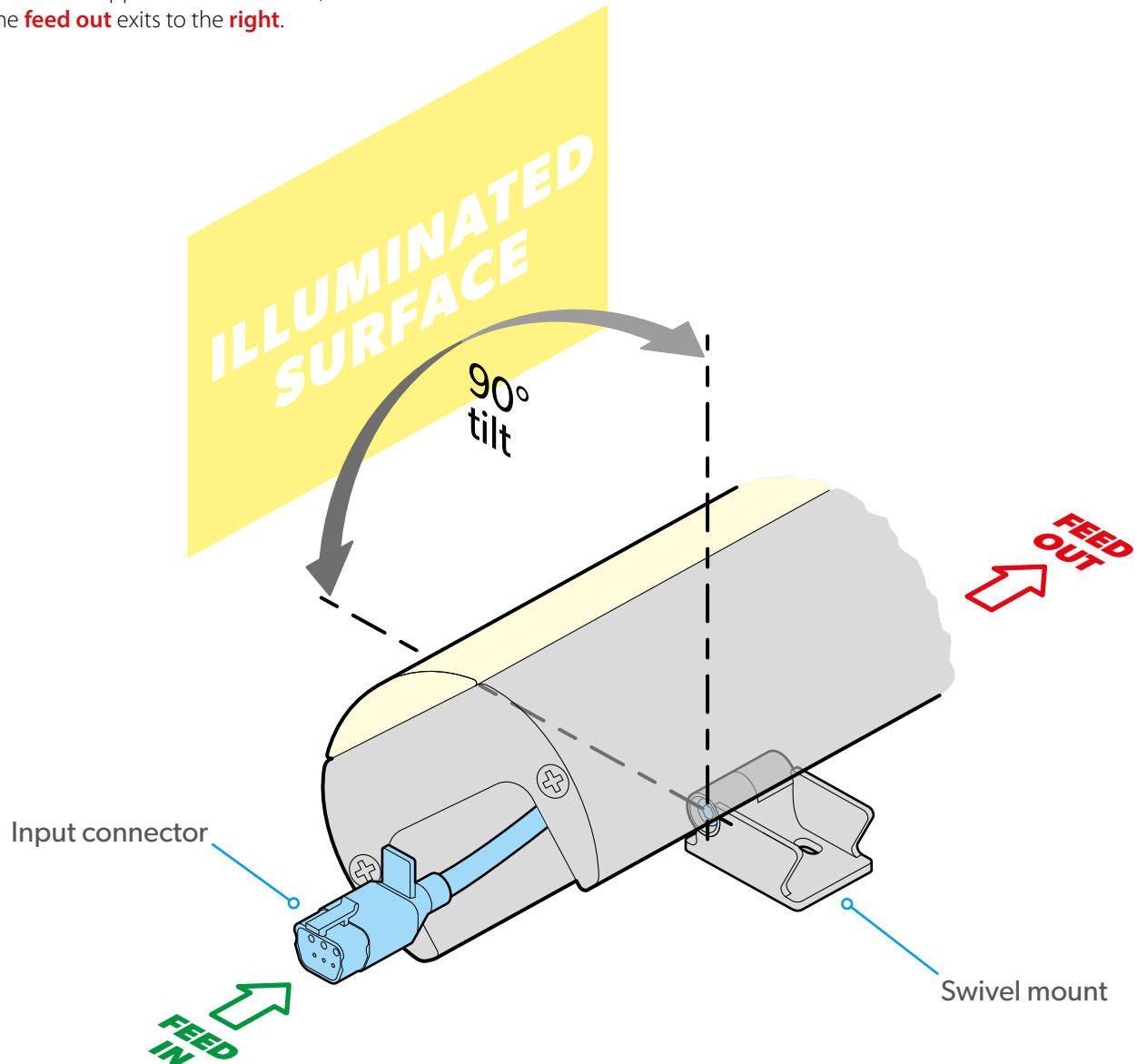


SCAN
FOR
PRODUCT
PAGE

SWIVEL AND FEED DIRECTIONS

The swivel mounts on the fixture offer a full 90 degrees of rotation - in one direction only. When planning installations that require the fixtures to be tilted, it is important to correctly arrange the input and output connections:

- When facing the illuminated surface, the **feed in** must approach from the **left**, while the **feed out** exits to the **right**.

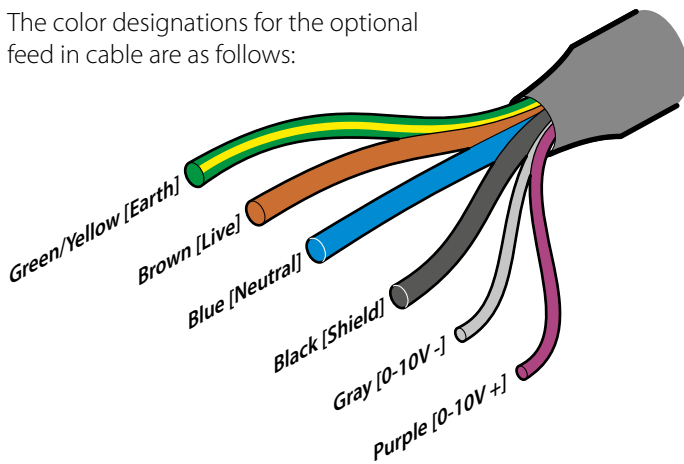


PROJECT _____ FIRM _____ ORDER # _____ TYPE _____ QTY _____

POWER AND CONTROL WIRING

Power and control are combined within IP66-rated cables. Input and output connectors are proprietary six pin designs; with a male input connector located at one end of the fixture and a female output connector at the other. Connector placements are such that abutted units can be directly connected without need for additional cables.

The color designations for the optional feed in cable are as follows:



Power cores: AWG 18 / 1.02mm²

Signal cores: AWG 26 / 0.13mm²

Power

The fixture power requirements are as follows:

- Voltage: 100-277VAC 50/60Hz
- Power:

	HO	SO	EO
1' models:	12W	8W	4W
4' models:	48W	32W	16W

Note: Acclaim recommends taking proper precautions for external surge protection, as control and power electronics can be damaged by major events. Ensure that the mains power is supplied from a suitably protected source and initial connections are made within IP rated enclosures.

For full installation details, please refer to the **user guide**, available for free download here:

RUN LENGTHS

Fixture runs (of all power models: HO/SO/EO) should not exceed 80' (24m). Maximum total lengths of all feed and link cables are determined by the power models and the mains supply voltage.

