

PROJECT _____ FIRM _____ ORDER # _____ TYPE _____ QTY _____



Flood One EO™ are tough, compact fixtures that are more than capable of weathering the most extreme conditions. Their low power consumption belies their impressively bright output. Available with a good selection of emitter color temperature choices plus beam shaping and mounting options, their uses are wide ranging.

Smooth single-channel dimming is delivered under 0-10V control. The internal auto-sensing power supply within each unit can accept mains inputs between 100 to 277VAC at 50 or 60Hz and total power consumption is just 60W.

Flood One EO fixtures are fulfilled through our **Acclaim Modular** system in Los Angeles to ensure industry-leading delivery times.



AT A GLANCE

Optics

10° x 10°, 10° x 60°
20° x 20°
40° x 40°
70° x 70°
90° x 90°

10° x 10° is the native beam. Others require optional spread lenses.

Emitters

2700K or 3000K or 3500K or 4000K

Finish colors

Gray RAL 7047 White RAL 9003
Black RAL 9005 Custom Provide RAL

Power

100 to 277VAC
50/60Hz

Temperature

-40° F to 125° F
-40° C to 51° C

Protection

Ingress: **IP66**
Impact: **IK07**
Vibration: **3G**

Output

Up to **3,940** lumens

Control

0-10V (sink)

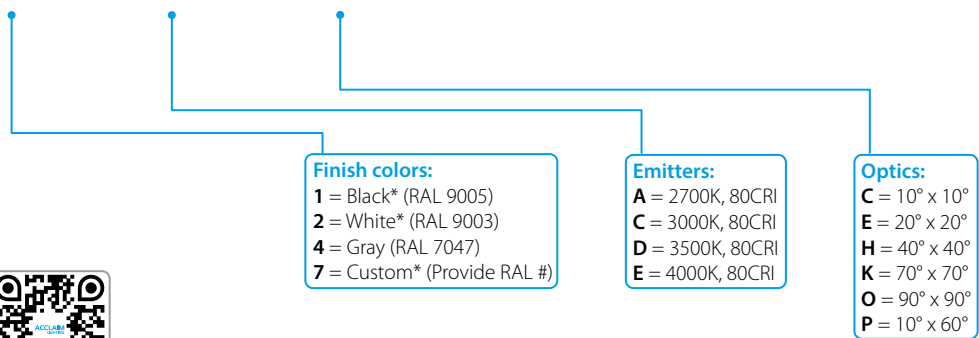
Core technology

ACCLAIM MODULAR SYSTEMS

CONFIGURE YOUR PRODUCT

FOB -FBC -FBO

Example final code: **FOB4-FBCC-FBOC**



* indicates special order items, which may require longer lead times



PROJECT	FIRM	ORDER #	TYPE	QTY
---------	------	---------	------	-----

SPECIFICATIONS

Emitters	2700K, 3000K, 3500K or 4000K
Optics	10° standard, 20°, 40°, 70°, 90° or 10°x 90° spread lens options
Output	Up to 3,940 lumens, 85,734 center candela, >80 CRI
Lumen maintenance	L ₇₀ 150,000 hours (@ 25° C)
Control	1-100% dimming via 0-10V (sink)
Operating voltage	100 to 277VAC, 50/60Hz
Power consumption	60W
Connection	Attached, separate 6.5' (2m) IP66-rated power and control cables - see page 6
Mounting	Surface mount yoke included. Pipe clamp and tenon mount options available
Material	Die cast aluminum with a glass lens. Optional marine environment coating available
Finish	Gray standard (RAL 7047), black (RAL 9005), white (RAL 9003) or custom colors (provide RAL #)
Ambient temperature range	-40° F to 125° F (-40° C to 51° C)
Ingress protection	IP66, wet location
Impact protection	IK07, protection against 2 joule impact (40cm distance)
Vibration protection	ANSI C136.31, 3G-rated for high vibration and bridge applications
Warranty	5 years, limited
Weight	11 lbs (5kg)
Dimensions	LxWxH: 13.07" x 3.86" x 7.01" (332 x 98 x 178mm) - see page 5
Certifications	   

PHOTOMETRICS

For all available IES files, please visit acclaimlighting.com/flood-one-ee

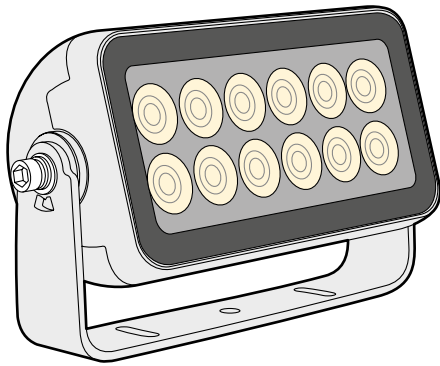
Color temperature	Lumens	Center Candela	Efficacy (lm/W)	CRI (Ra)	TM30
2700K 10°	3,014	80,686	51	79.8	79.1
3000K 10°	3,188	63,297	58	80.7	80.2
3500K 10°	3,386	81,122	57	80.6	78.3
4000K 10°	3,940	85,734	71	80.2	79.8

PROJECT _____ FIRM _____ ORDER # _____ TYPE _____ QTY _____

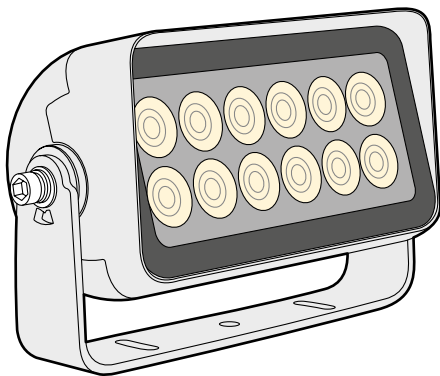
RELATED COMPONENTS

Beam shaping options

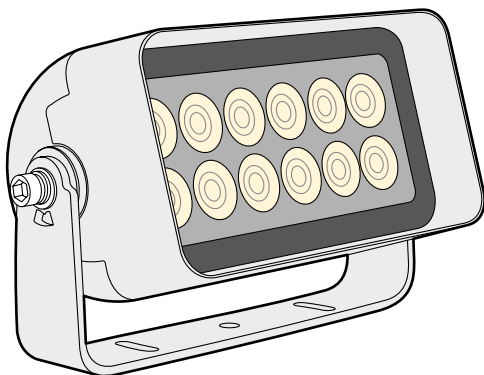
(Snoots are factory-fit items)



Standard model - no snoot

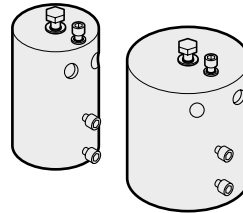


Half snoot standard model plus **FBHSG**



Full snoot standard model plus **FBFSG**

Tenon mounts

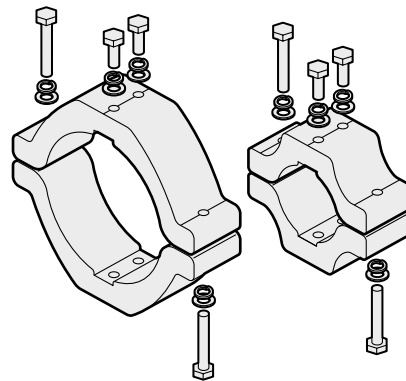


2" pipe (2.51", 56mm inner diameter)
4" pipe (4.13", 105mm inner diameter)

TM2
TM4

Pipe clamps

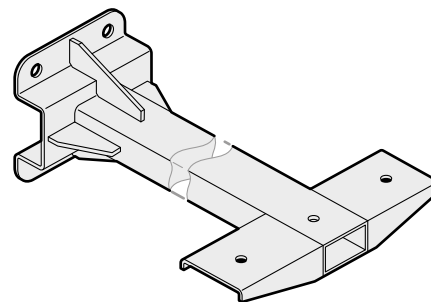
(Each can mount 1 or 2 fixtures)



2" pipe (2.51", 56mm inner diameter)
4" pipe (4.13", 105mm inner diameter)

PC2
PC4

Extender arms

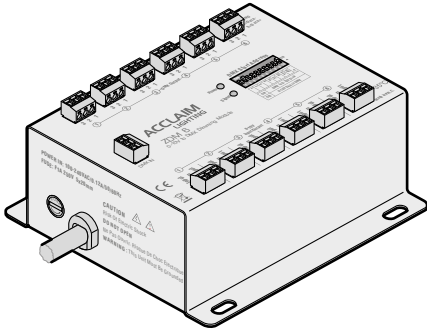


12" **FOEB12**
24" **FOEB24**
36" **FOEB36**



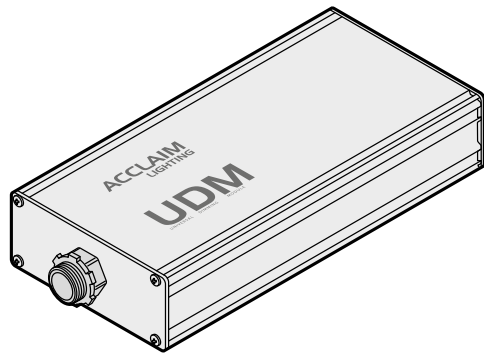
PROJECT FIRM ORDER # TYPE QTY

DMX to 0-10V signal converters



Multi-channel converter

ZDM6



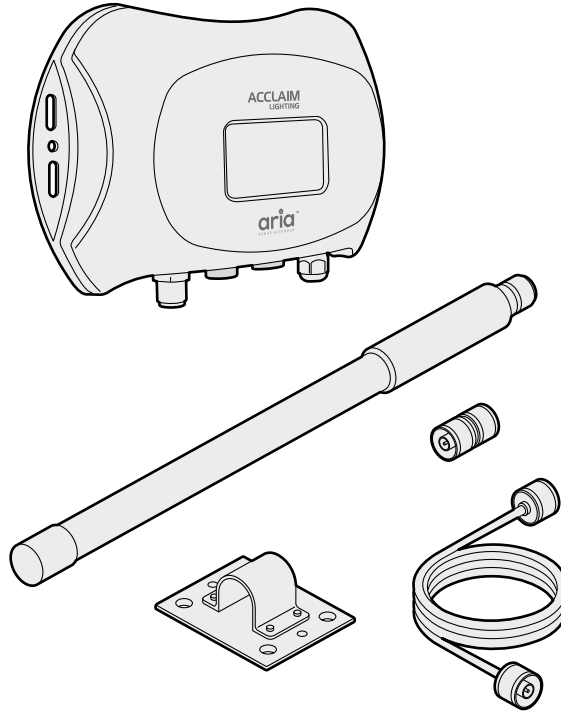
Single-channel converter

Single-channel converter with wireless

UDM

UDM-W

Wireless DMX transceiver



Wireless transceiver with antenna, cable, adapter and antenna bracket

ARIA WDS

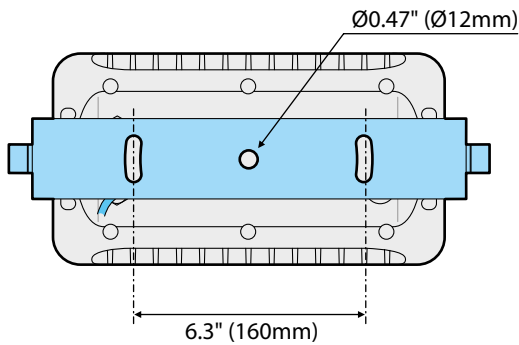
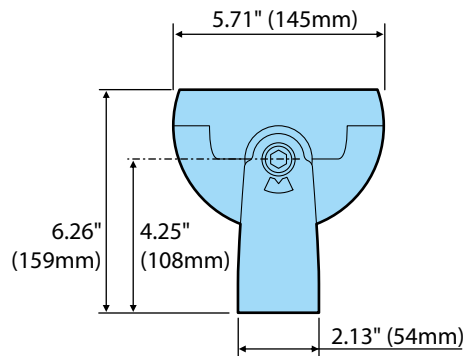
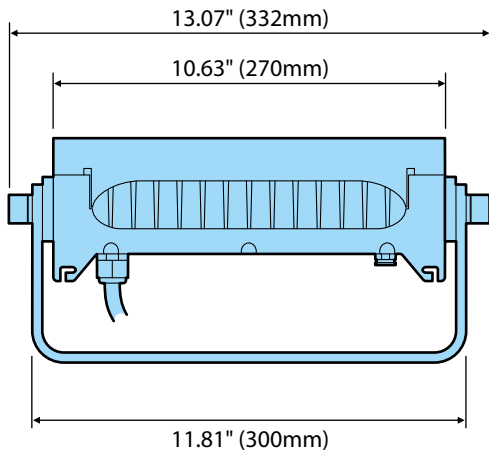
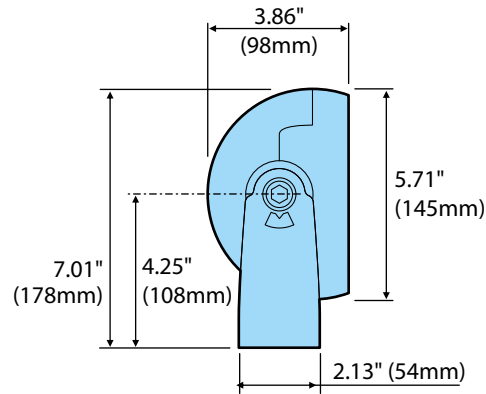
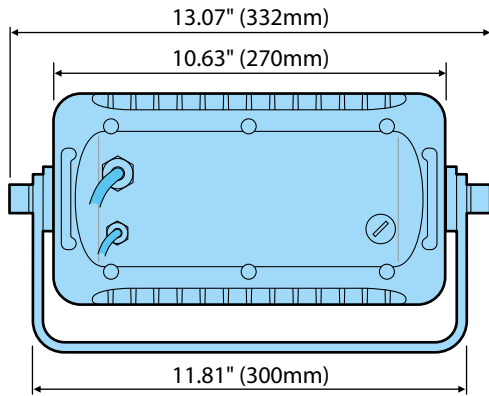
See "Optional control arrangements" on page 8



PROJECT: _____ FIRM: _____ ORDER #: _____ TYPE: _____ QTY: _____

DIMENSIONS

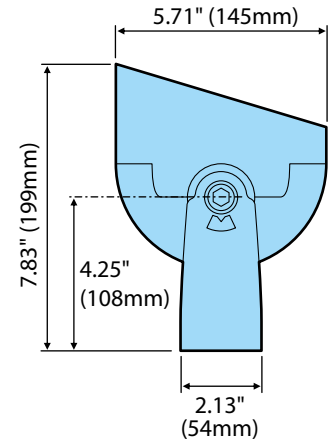
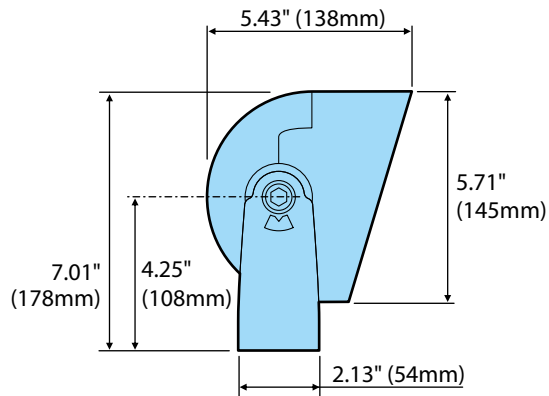
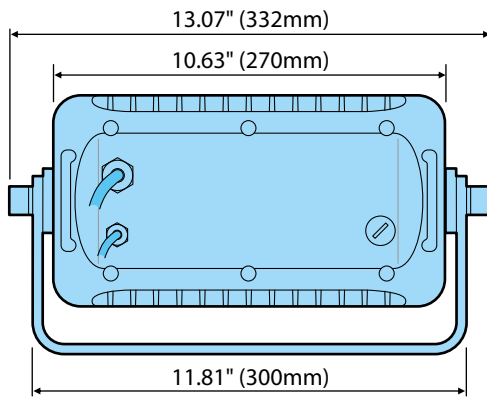
Standard model



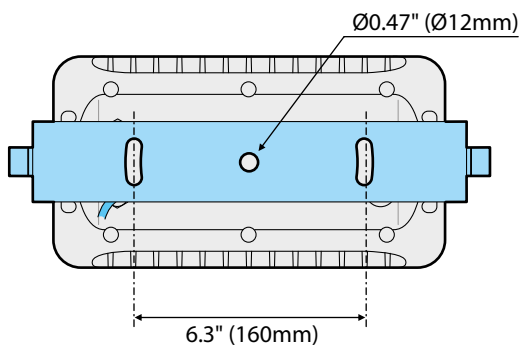
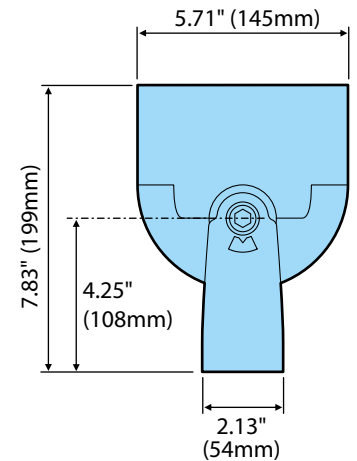
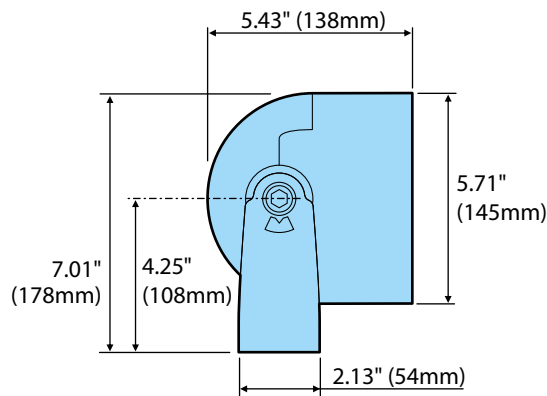
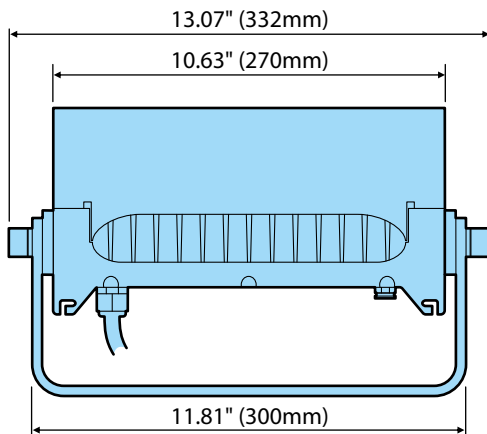
PROJECT: _____ FIRM: _____ ORDER #: _____ TYPE: _____ QTY: _____

DIMENSIONS

With half snoot



With full snoot

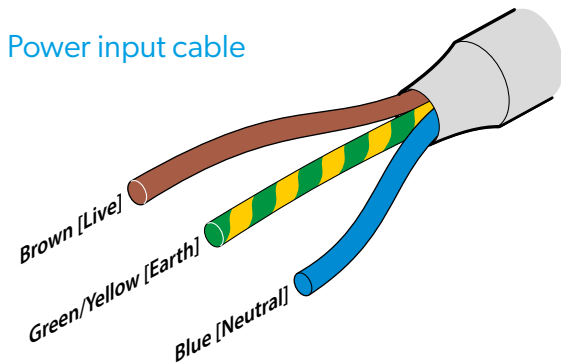


PROJECT	FIRM	ORDER #	TYPE	QTY
---------	------	---------	------	-----

POWER AND CONTROL WIRING

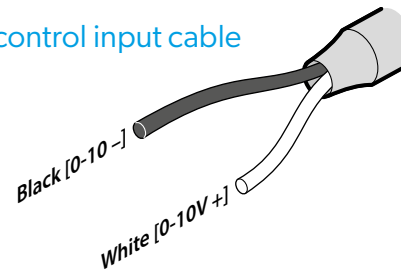
Power and control are arranged as separate bare-tail inputs via cords that are each 6.5' (2m) in length. The fixture must have a valid protective earth connection. The cable color designations are as follows:

Power input cable



- Voltage: 100-277VAC 50/60Hz
- Power: 60W
- Power cores: 16 AWG / 1.31mm²

0-10V control input cable



- Signal cores: 18 AWG / 0.824mm²

Input wiring protection

Ensure that:

- appropriate care is taken to protect the junction where the mains and control inputs are joined to the fixture's feed cables.
- the mains input is derived from a suitable overload-protected supply.
- the junction boxes have an environmental rating of at least IP66.
- all cable access points, plus the enclosure cover are correctly sealed and moisture proof.
- only suitable cable connectors are used within the junction boxes; Acclaim Lighting recommends Wago® 221-series splicing connectors.
- local codes are followed during planning and installation. Some municipalities have specific requirements when wiring low and high voltage cables in close proximity. Such requirements could include the use of a barrier within combined junction boxes (if used) or particular minimum spacings between the control and power cables.
- connections are made, inspected and certified by a qualified electrician.



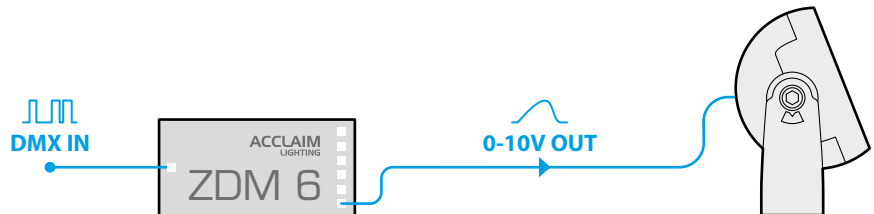
PROJECT FIRM ORDER# TYPE QTY

OPTIONAL CONTROL ARRANGEMENTS

DMX operation

(via ZDM 6)

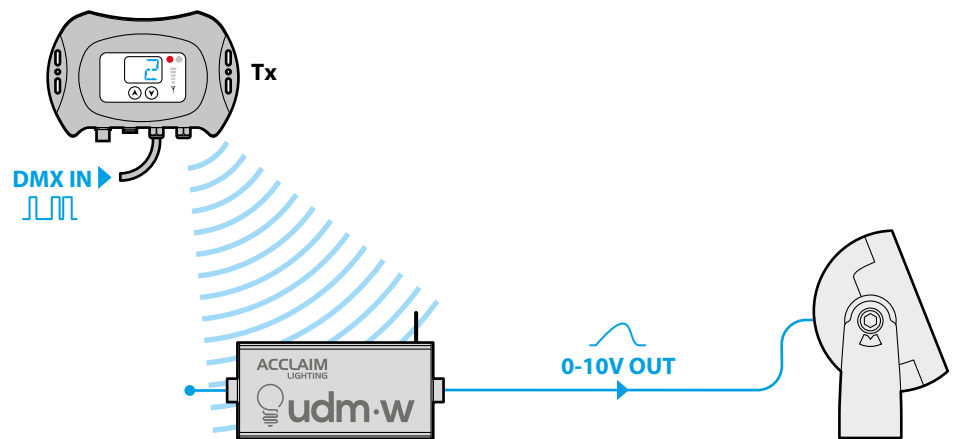
Flood One EO fixtures operate using a 0-10V (sink) control signal input. Where DMX control is required, the optional Acclaim Lighting ZDM 6 device is available to perform the necessary signal conversion:



Wireless DMX operation

(via Aria and UDM•W)

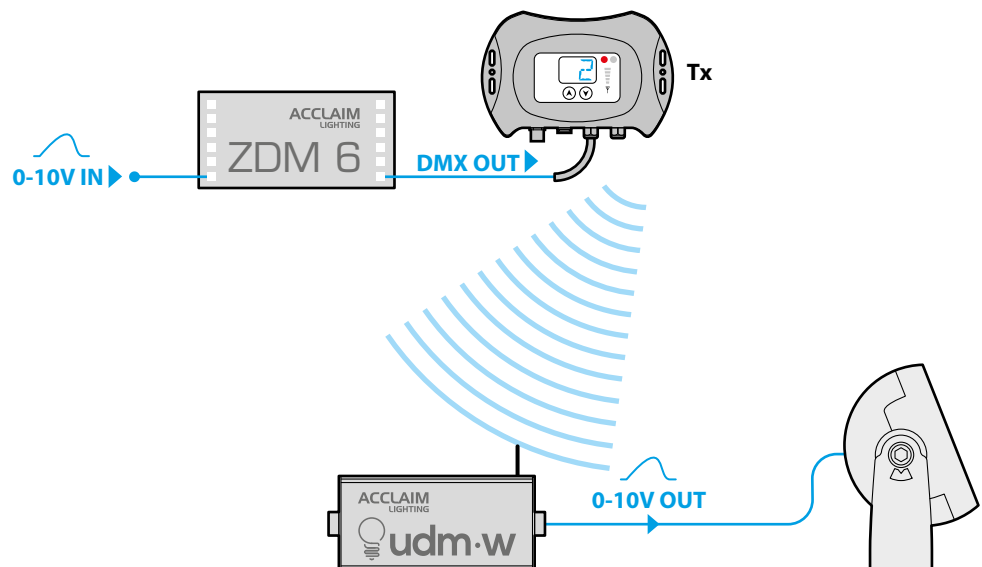
In addition to performing DMX to 0-10V signal conversions, the optional UDM•W also adds Aria™ wireless linking over distances up to 2600 feet (792m) line of sight (when coupled with an Aria transmitter [Tx]):



Wireless 0-10V operation

(via ZDM 6, Aria and UDM•W)

Using a combination of Acclaim Lighting ZDM 6, Aria and UDM•W units it is possible to transmit a 0-10V input wirelessly over distances up to 2600 feet (792m) line of sight to the Flood One EO installation:



For full installation details, please refer to the **user guide**, available for free download here: