

Flood One EO

CONTENTS

INTRODUCTION	2
Welcome	2
Safety, maintenance and cleaning	2
Supplied items	3
Optional accessories	4
INSTALLATION	5
Tilt adjustment	5
Using a tenon mount	6
Using a pipe clamp	7
Power and control wiring	8
Input wiring protection	8
Optional DMX operation	9
Optional wireless DMX operation	9
Optional wireless 0-10V operation	10
FURTHER INFORMATION	11
Troubleshooting	11
Specifications	12
Dimensions	13
Limited product warranty	16

INTRODUCTION

WELCOME

Welcome to the Flood One EO range from Acclaim Lighting, a small family of aluminum bodied IP66-rated exterior LED flood fixtures.

The Flood One EO family fully embraces Acclaim Lighting's Modular Systems (AMS) design standard; AMS allows



a wider choice of internal and external options to be configured in our Los Angeles headquarters and delivered in industry-leading time. There are numerous emitter options, together with a native beam angle of 10°, adjustable using a range of spread lens options to suit your installation:

- 2700K, 3000K, 3500K or 4000K (all with Color Rendering Indexes of more than 80),
- 10° standard with 20°, 40°, 60°, 90° x 60° or 10° x 60° optional spread lenses.

Additionally, factory fitted half and full snoots allow the light output to be shaped further.

Control is achieved using the industry standard 0-10V sink format and, with the addition of the optional Acclaim Lighting ZDM 6 and Aria units (see page 9), you can add remote wireless connectivity to the list of abilities within the Flood One EO range.

The internal auto-sensing power supply within each unit can accept mains inputs between 100 to 277VAC at 50 or 60Hz. Total power consumption is just 60W peak, 55W steady state.

SAFETY

- When fixtures are mounted off-ground, ensure they are securely fitted to an appropriate mounting surface.
- Ensure that the power input is supplied from a correctly fused, earthed and environmentally protected location.

MAINTENANCE

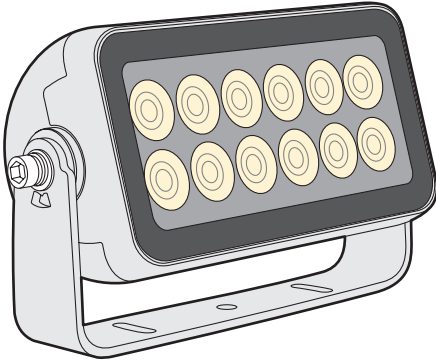
CAUTION: Always isolate mains power before starting maintenance operations.

- Ensure that all mounting (and device) screws/bolts are fully tight and free of corrosion.
- Ensure there is no deformation to the housing, lenses or fixing points.
- Check that all power supply cables are free from physical damage or material fatigue.
- Use only genuine spare parts supplied by Acclaim Lighting.

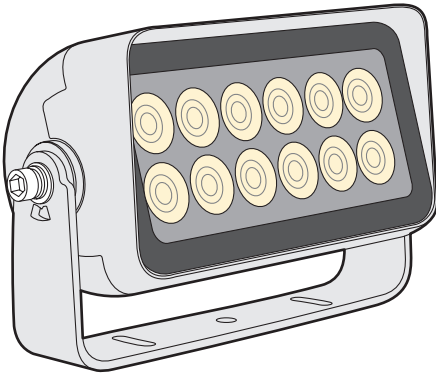
CLEANING

- Use a moist, lint-free cloth when cleaning each fixture.
- Never use alcohol or solvents.

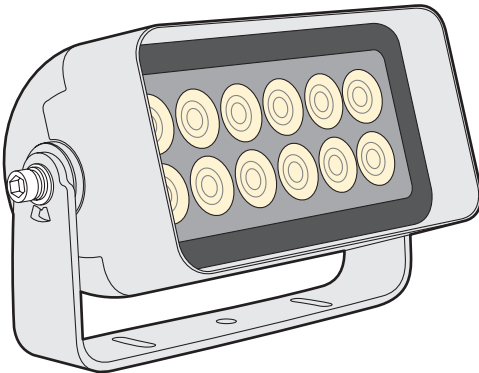
SUPPLIED ITEMS



Standard model

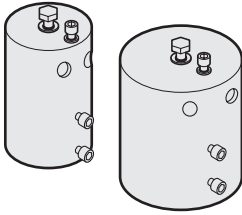


Half snoot model
standard model plus [FBHSG]



Full snoot model
standard model plus [FBFSG]

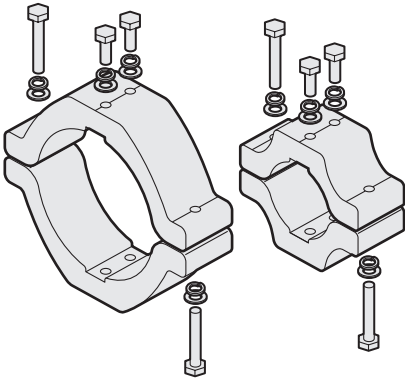
OPTIONAL ACCESSORIES



Tenon mounts

2" pipe (2.51", 56mm inner dia.) [TM2]

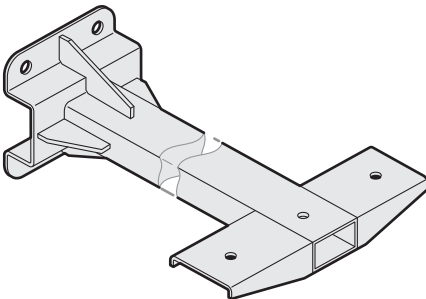
4" pipe (4.13", 105mm inner dia.) [TM4]



Pipe clamps (each can mount 1 or 2 fixtures)

2" pipe (2.51", 56mm inner dia.) [PC2]

4" pipe (4.13", 105mm inner dia.) [PC4]



Extender bars

12" [FOEB12]

24" [FOEB24]

36" [FOEB36]

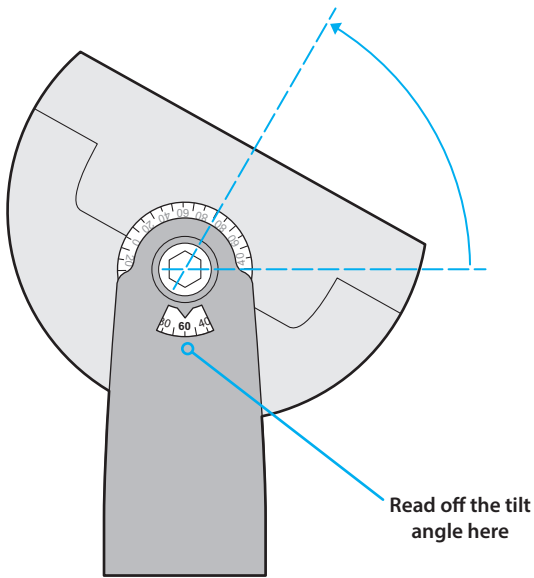
INSTALLATION

When installing each Flood One EO fixture, ensure that the surface is level and that nothing is protruding to damage the mounting yoke. Suitable mounting surfaces include steel, aluminum, concrete or wood structures.

Each Flood One EO fixture is fitted with a swivel yoke mount, which has a center hole of 0.47" (12mm) and also two lock-off slots spaced at 6.3" (160mm) around the center line (see page 13). The yoke has a thickness of 0.24" (6mm). Select bolts or screws (not supplied) that fit the yoke holes correctly and are particularly suited to the mounting surface. Optional tenon mounts and pipe clamps are available for mounting the fixture onto the top or sides of poles respectively (see page 4).

TILT ADJUSTMENT

The yoke allows a tilt range of more than 180 degrees to be achieved. Use a 3/8" (10mm) Allen wrench to adjust the tilt angle. A useful tilt gauge is provided at each end of the fixture:



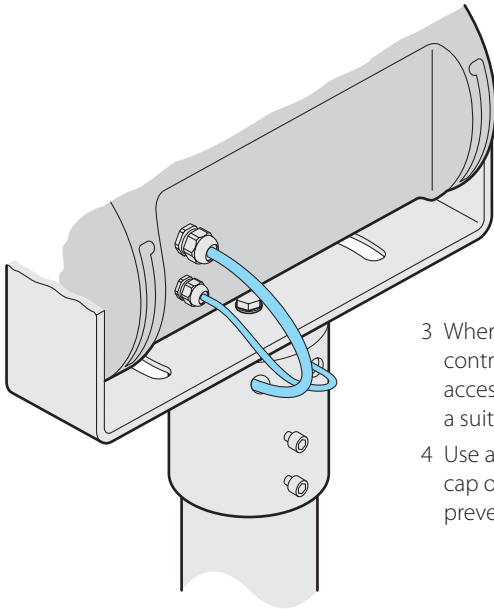
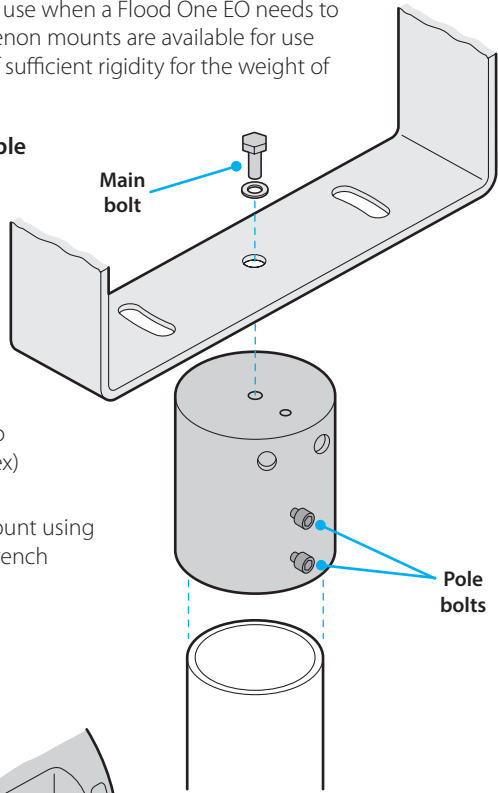
USING A TENON MOUNT

Optional tenon mounts are available for use when a Flood One EO needs to be mounted **on top** of a vertical pole. Tenon mounts are available for use with 2" (50mm) and 4" (100mm) poles of sufficient rigidity for the weight of the fixture.

IMPORTANT: Tenon mounts are suitable only for vertical pole mounting where the fixture sits on top of the pole. Tenon mounts must NEVER be used to hang a Flood One EO below a pole.

TO USE A TENON MOUNT

- 1 Slide the tenon mount onto the vertical pole and secure using the two bolts on the side (1/4" /6mm Allen (hex) wrench required).
- 2 Fix the Flood One EO to the tenon mount using the supplied main bolt (17mm A/F wrench required) as shown right.



- 3 Where required, feed the mains/ control cable into one of the two access holes and down the pole to a suitable exit point.
- 4 Use a suitable silicone sealant to cap off the cable access holes to prevent water ingress.

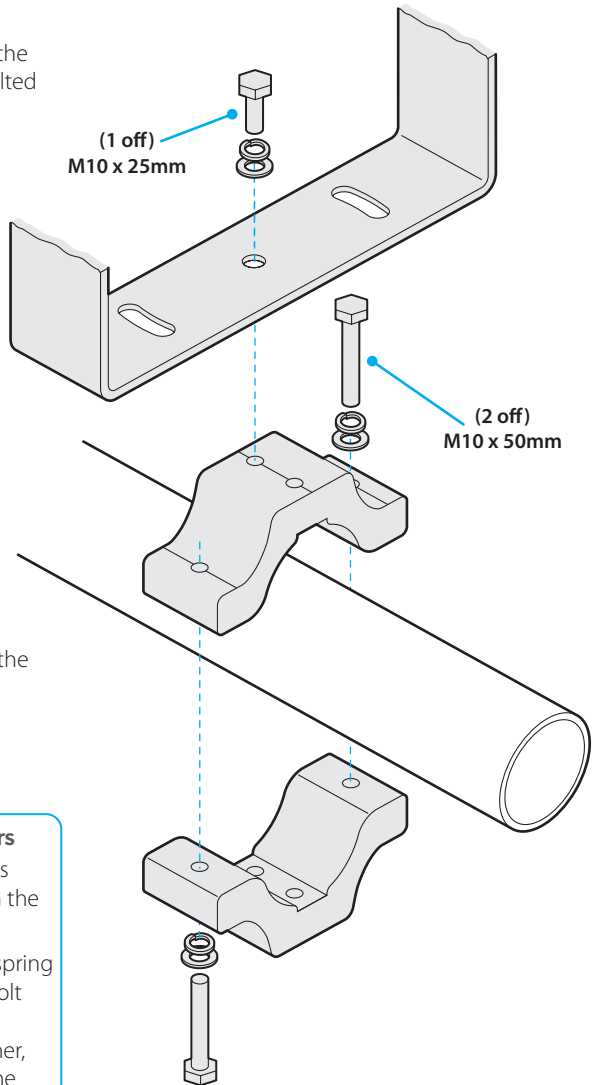
USING A PIPE CLAMP

Optional pipe clamps are available to mount Flood One EO fixtures on either 2" (50mm) or 4" (100mm) tubes and poles.

IMPORTANT: Ensure the pipe and its mountings have sufficient load capacity for the Flood One EO fixture(s) to be mounted.

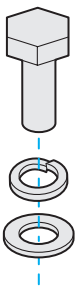
TO USE A PIPE CLAMP

- 1 Separate the two halves of the clamp, if they are already bolted together.
- 2 Place the two halves of the clamp around the pipe.
- 3 Use the two longer bolts, one from each side to join the two halves - see below about the correct use of the supplied washers.
- 4 Tighten the two main bolts evenly until the clamp is held firmly in place.
- 5 Use one of the two smaller bolts (with spring and standard washers) to fix the Flood One EO yoke to one side of the clamp and tighten.



Using the supplied washers

The supplied spring washers help to maintain tension on the bolts to prevent loosening.



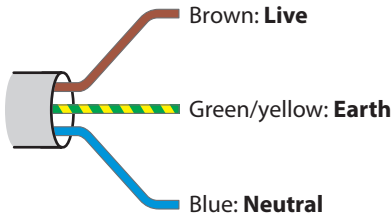
Always place the spring washer on each bolt first and then add the standard washer, before inserting the bolt into the clamp. This will prevent the steel spring washer from denting the softer aluminum body of the clamp.

POWER AND CONTROL WIRING

Power and control are arranged as separate bare-tail inputs via cords that are each 6.5' (2m) in length.

POWER

The power feed is as follows. The fixture must have a valid ground connection:

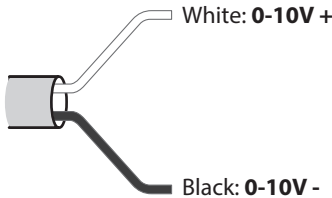


- Voltage: 100-277VAC 50/60Hz
- Power: 60W
- Feed cable: 16 AWG / 1.31mm²

Note: Acclaim recommends taking proper precautions for external surge protection, as control and power electronics can be damaged by major events.

CONTROL

The control cable has two cores for the 0-10V input:



- Feed cable: 18 AWG / 0.824mm²

INPUT WIRING PROTECTION

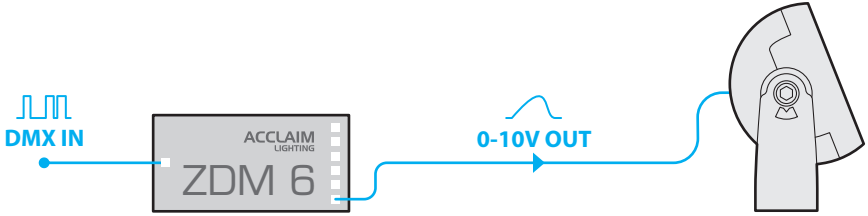
Ensure that appropriate care is taken to protect the junction where the mains and control inputs are joined to the fixture's feed cables.

Ensure that:

- the mains input is derived from a suitable overload-protected supply.
- the junction boxes have an environmental rating of at least IP66.
- all cable access points, plus the enclosure cover are correctly sealed and moisture proof.
- only suitable cable connectors are used within the junction boxes; Acclaim Lighting recommends Wago® 221-series splicing connectors.
- local codes are followed during planning and installation. Some municipalities have specific requirements when wiring low and high voltage cables in close proximity. Such requirements could include the use of a barrier within combined junction boxes (if used) or particular minimum spacings between the control and power cables.
- connections are made, inspected and certified by a qualified electrician.

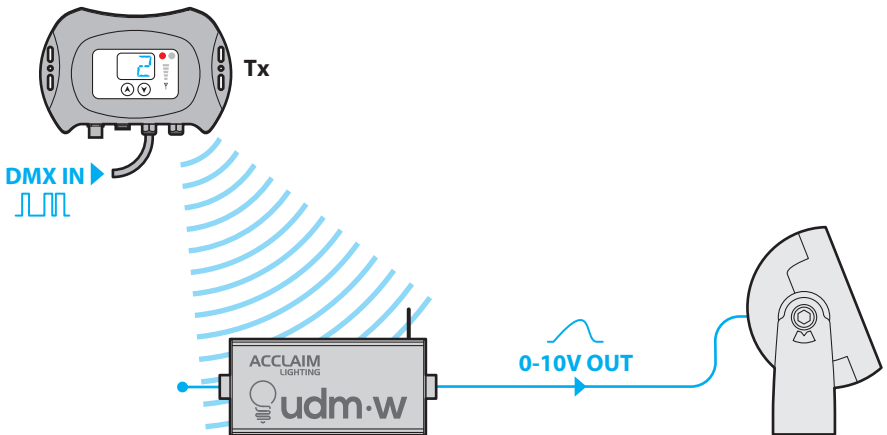
OPTIONAL DMX OPERATION (VIA ZDM 6)

Flood One EO fixtures operate using a 0-10V (sink) control signal input. Where DMX control is required, the optional Acclaim Lighting ZDM 6 device is available to perform the necessary signal conversion:



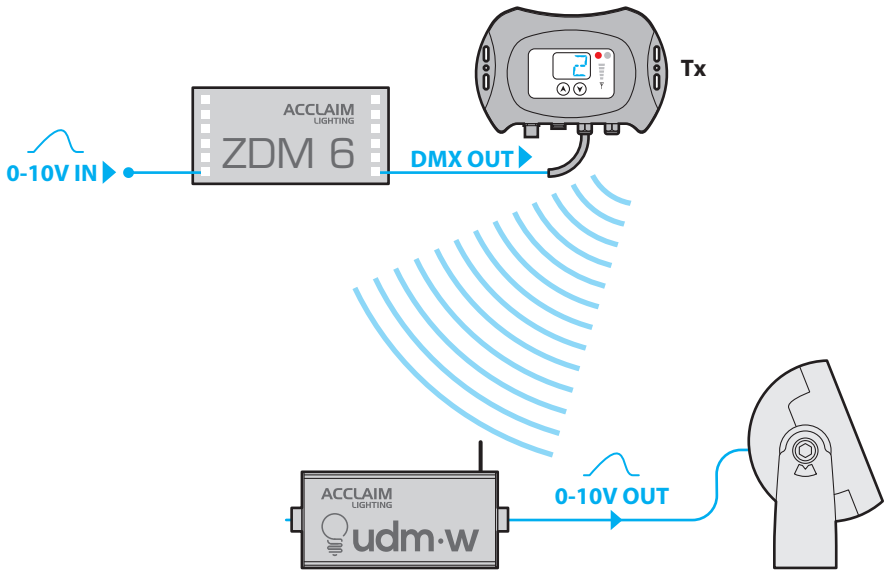
OPTIONAL WIRELESS DMX OPERATION (VIA ARIA & UDM•W)

In addition to performing DMX to 0-10V signal conversions, the optional UDM•W also adds Aria™ wireless linking over distances up to 2600 feet (792m) line of sight (when coupled with an Aria transmitter [Tx]):



OPTIONAL WIRELESS 0-10V OPERATION (VIA ZDM 6, ARIA & UDM•W)

Using a combination of Acclaim Lighting ZDM 6, Aria and UDM•W units it is possible to transmit a 0-10V input wirelessly over distances up to 2600 feet (792m) line of sight to the Flood One EO installation:



FURTHER INFORMATION

TROUBLESHOOTING

LUMINAIRE DOESN'T TURN ON

- Check that power is correctly applied to the fixture and that there is no damage to the power input cord.
- Check that the 0-10V + (hot) and – (cold) lines on the incoming control link have not been crossed.

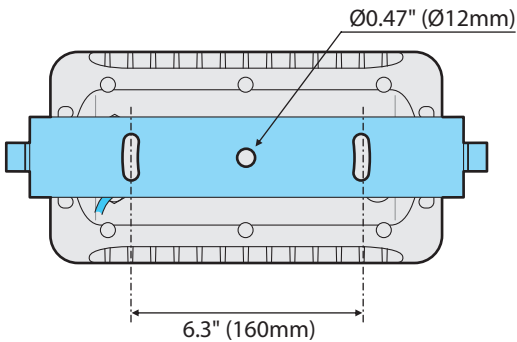
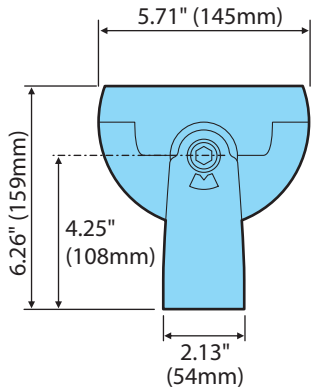
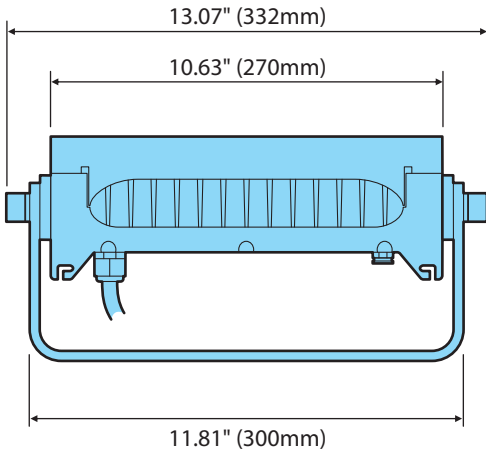
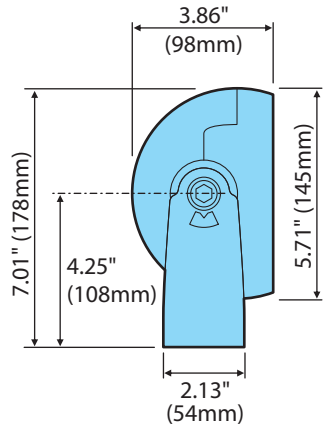
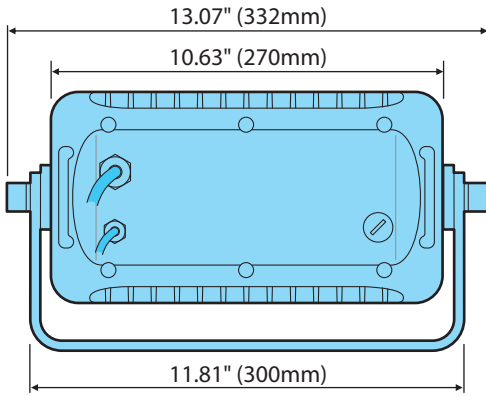
SPECIFICATIONS

Emitters	2700K, 3000K, 3500K or 4000K (> 80 CRI)
Optics	10° standard with 20°, 40°, 60°, 90°, or 10° x 60° spread lens options
Output	Up to 3940 lumens, 85,734 center candela, >80 CRI
Lumen maintenance (L ₇₀)	150,000 hours (25°C)
Control	0-10V sink, 1-100%. 0-10V source or DMX via optional UDM unit
Maximum lengths in series	Not linkable, AC power and 0-10V local to each fixture
Power input	100 - 277VAC, 50/60Hz
Power consumption	60W
Housing	Die cast aluminum, glass lens, optional marine coating available
Mounting	Surface mount yoke included
Fixture connectors	Attached 5' (1.5m) IP66 AC cable, separate 5' (1.5m) 0-10V cable
Ingress protection	IP66, wet location
Impact protection	IK07, protection against 2 joule impact (40cm distance)
Vibration protection	ANSI C136.31, 3G-rated for high vibration & bridge applications
Operating temperature	-40°F to 125°F (-40°C to 51°C)
Weight	11 lbs/5kg
Certifications	

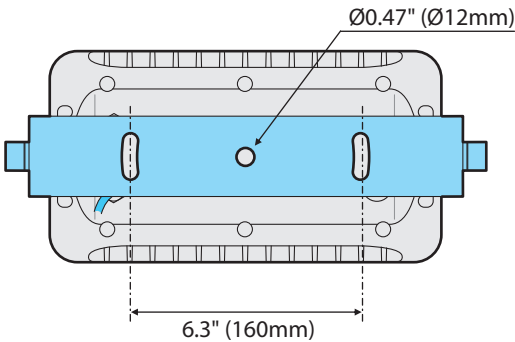
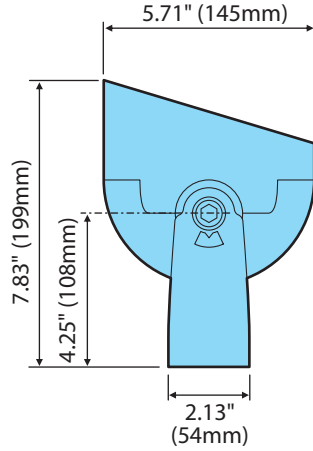
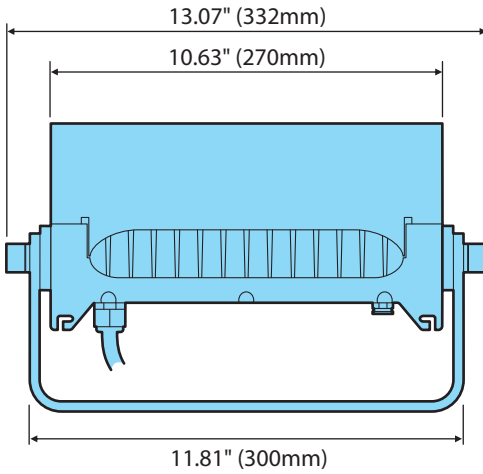
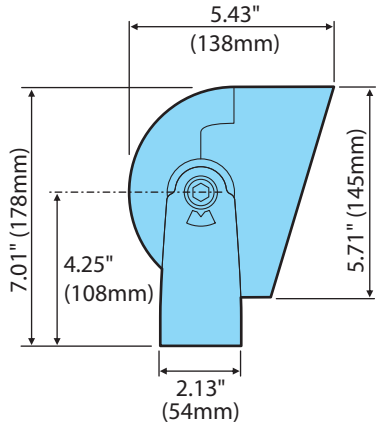
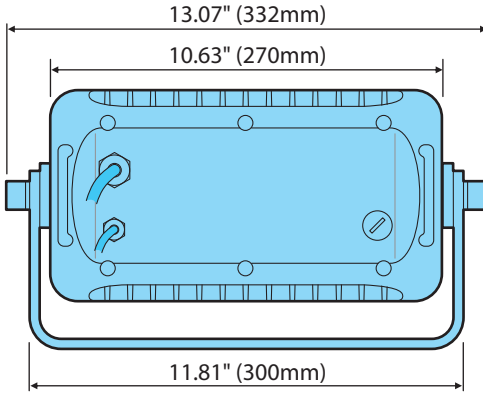


DIMENSIONS

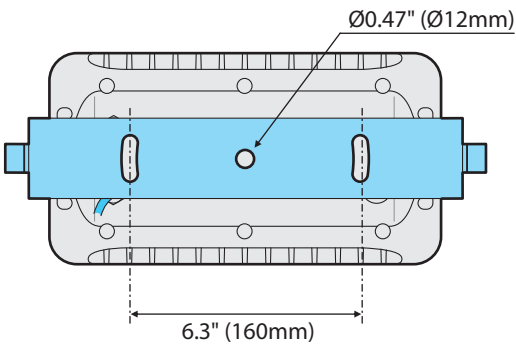
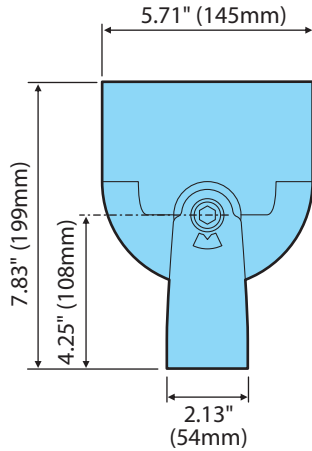
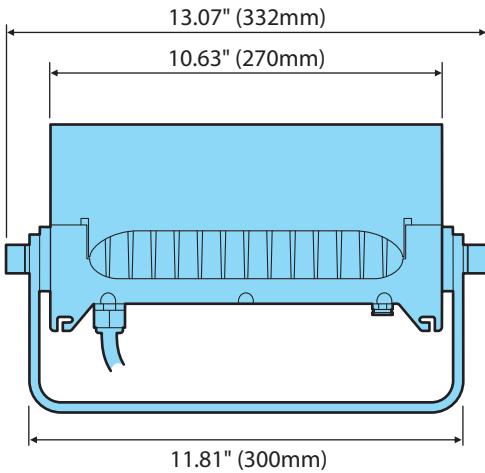
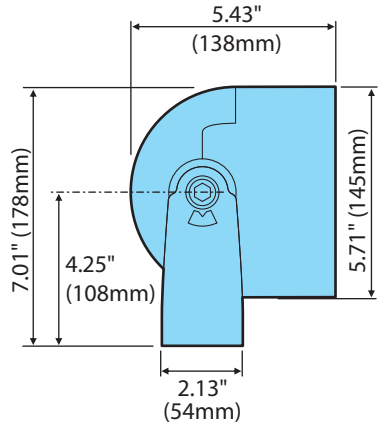
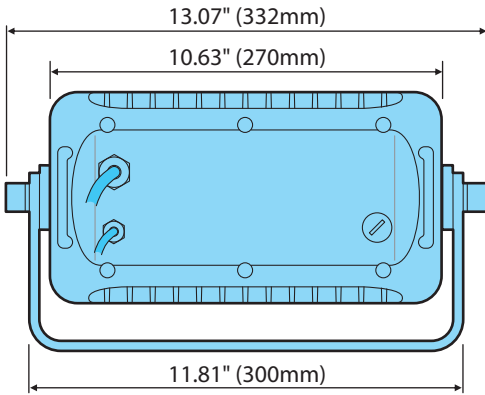
STANDARD MODEL



HALF SNOOT MODEL



FULL SNOOT MODEL



LIMITED PRODUCT WARRANTY

A. Acclaim Lighting™ hereby warrants, to the original purchaser, Acclaim Lighting finished products to be free of manufacturing defects in material and workmanship for a standard period of:

- Fixtures: 5 Years (1,825 days) from the date of purchase.
- Drivers, power supplies and accessories: 5 Years (1,825 days) from the date of purchase.
- Flex Products: 3 Years (1,095 days) from the date of purchase.
- Controllers: 2 Years (730 days) from the date of purchase.

It is the owner's responsibility to establish the date and place of purchase and warranty terms by acceptable evidence, at the time service is sought.

B. For warranty service, send the product only to the Acclaim factory. All shipping charges must be pre-paid. If the requested repairs or service (including parts replacement) are within the terms of this warranty, Acclaim Lighting will pay return shipping charges only to a designated point within the United States. If the entire instrument is sent, it must be shipped in its original package. No accessories should be shipped with the product. If any accessories are shipped with the product, Acclaim Lighting shall have no liability whatsoever for loss of or damage to any such accessories, nor for the safe return thereof. Acclaim reserves the right to replace the item with same or similar product at its discretion.

C. This warranty is void if the serial number has been altered or removed; if the product is modified in any manner which Acclaim concludes, after inspection, affects the reliability of the product; if the product has been repaired or serviced by anyone other than the Acclaim Lighting factory unless prior written authorization was issued to purchaser by Acclaim Lighting; if the product is damaged because not properly maintained as set forth in the instruction manual.

D. This is not a service contract, and this warranty does not include maintenance, cleaning or periodic check-up nor do we guarantee as part of this warranty any lumen performance during period. Parts not covered by this warranty include: fuses, external power supplies, third party items not manufactures by Acclaim lighting. During the period specified above, Acclaim Lighting will replace defective parts at its expense, and will absorb all expenses for warranty service and repair labor by reason of defects in material or workmanship. The sole responsibility of Acclaim Lighting under this warranty shall be limited to the repair of the product, or replacement thereof, including parts, at the sole discretion of Acclaim Lighting. At no time will installation or re-installation or products labor or liability costs will be assumed by Acclaim Lighting. All products covered by this warranty were manufactured after January 1, 2012, and bear identifying serial number marks to that effect.

E. Acclaim Lighting reserves the right to make changes in design and/or improvements upon its products without any obligation to include these changes in any products theretofore manufactured. No warranty, whether expressed or implied, is given or made with respect to any accessory supplied with products describe above. Except to the extent prohibited by applicable law, all implied warranties made by Acclaim Lighting in connection with this product, including warranties of merchantability or fitness, are limited in duration to the warranty period set forth above. And no warranties, whether expressed or implied, including warranties of merchantability or fitness, shall apply to this product after said period has expired.

F. Marine or extreme weather location applications using Acclaim lighting products are subject to a 2 year limited warranty and Acclaim must be notified prior to delivery of units for such applications so that preventative treatment can be made to the products to ensure proper performance and product life with a special marine code coating / sealing process at an additional cost.

G. The consumer's and or dealer's sole remedy shall be such repair or replacement as is expressly provide above; and under no circumstances shall Acclaim Lighting be liable for any loss or damage, direct or consequential, arising out of the use of, or inability to use, this product. This warranty is the only written warranty applicable to Acclaim Lighting products and supersedes all prior warranties and written descriptions of warranty terms and conditions heretofore published.

www.acclaimlighting.com