

PROJECT \_\_\_\_\_ FIRM \_\_\_\_\_ ORDER # \_\_\_\_\_ TYPE \_\_\_\_\_ QTY \_\_\_\_\_



**Aqua Drum™** fixtures are high output, submersible heads suitable for use in all aquatic locations down to a depth of 20' (6m). A range of emitter types, lens options and full UL676 Pool & Spa certification make these heads particularly suited for exterior façade washing as well as fountain, pond and landscape applications.

Three size options, each with differing head diameters and emitter counts ensure that there is an Aqua Drum for every available space and throw distance. Optional in-grade housings are available for each Aqua Drum size to enable fully-sealed walk-over installations.



## AT A GLANCE

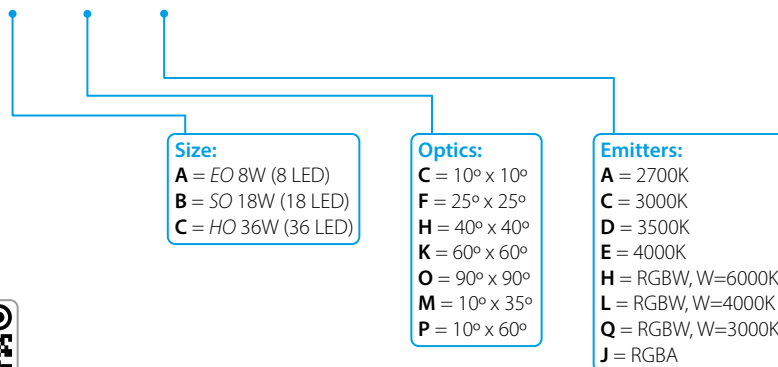
<p><b>Optics</b></p> <p>10° x 10° 10° x 35° 10° x 60° 25° x 25° 40° x 40° 60° x 60° 90° x 90°</p>	<p><b>Emitters</b></p> <p>Fixed White (2700K, 3000K, 3500K or 4000K) or RGBW (W=3000K, 4000K or 6000K) or RGBA</p>	<p><b>Sizes</b></p> <p>EO Ø3.66" (Ø93mm) SO Ø6.53" (Ø166mm) HO Ø7.59" (Ø193mm)</p>		
<p><b>Power</b></p> <p>Low voltage: <b>24VDC</b> via Aqua Driver</p>	<p><b>Temperature</b></p> <p>-40° F to 122° F -40° C to 50° C</p>	<p><b>Protection</b></p> <p>Ingress: <b>IP68</b> Impact: <b>IK08</b></p>	<p><b>Output</b></p> <p>Up to <b>3,259</b> lumens</p>	<p><b>Material</b></p> <p><b>SAE 316</b> molybdenum-alloyed marine grade stainless steel</p>

## CONFIGURE YOUR PRODUCT

**AQP-261-**


**N**

Example final code: **AQP-261-CKLN**



PROJECT	FIRM	ORDER #	TYPE	QTY
---------	------	---------	------	-----

## SPECIFICATIONS

<b>Emitters</b>	2700K, 3000K, 3500K, 4000K, RGBW (W=3000K, 4000K or 6000K) or RGBA
<b>Emitter arrangements</b>	<b>HO:</b> 36 x 1W emitters <b>SO:</b> 18 x 1W emitters <b>EO:</b> 8 x 1W emitters
<b>Optics</b>	10° x 10°, 25° x 25°, 40° x 40°, 60° x 60°, 90° x 90°, 10° x 35° or 10° x 60°
<b>Output</b>	<b>HO:</b> up to 3,259 lumens <b>SO:</b> up to 1,600 lumens <b>EO:</b> up to 700 lumens
<b>Lumen maintenance</b>	L <sub>70</sub> 150,000 hours (@ 25° C)
<b>Control</b>	0-100% dimming through DMX (via Aqua Driver 150 or 400)
<b>Fixtures per driver</b>	Aqua Driver <b>150:</b> 4 heads; Aqua Driver <b>400:</b> 8 heads (see page 7)
<b>Operating voltage</b>	24VDC, constant current via Aqua Driver 150 or 400. Aqua Drivers require 100-277VAC, 50/60Hz
<b>Power consumption</b>	<b>HO:</b> 36W <b>SO:</b> 18W <b>EO:</b> 8W
<b>Connection</b>	98' (30m) STOW cable included (sealed at the head end, terminal block at the driver end)
<b>Mounting</b>	Yoke arm included or optional in-grade housing
<b>Material</b>	SAE 316 molybdenum-alloyed marine grade stainless steel plus sealed glass lens
<b>Finish</b>	Stainless steel, marine environment ready
<b>Ambient temperature range</b>	-40° F to 122° F (-40° C to 50° C)
<b>Ingress protection</b>	IP68, submersible to 20' (6m)
<b>Impact protection</b>	IK08, protection against 5 joule impact (40cm distance) - walk over rated
<b>Warranty</b>	5 years, limited
<b>Weight</b>	<b>HO:</b> 8 lbs (3.6 kg) <b>SO:</b> 6.6 lbs (3 kg) <b>EO:</b> 4 lbs (1.8 kg)
<b>Dimensions</b>	<b>HO:</b> page 4 <b>SO:</b> page 5 <b>EO:</b> page 6
<b>Certifications</b>	  

## PHOTOMETRICS

For all available IES files, please visit [acclaimlighting.com/aqua-drum](http://acclaimlighting.com/aqua-drum)

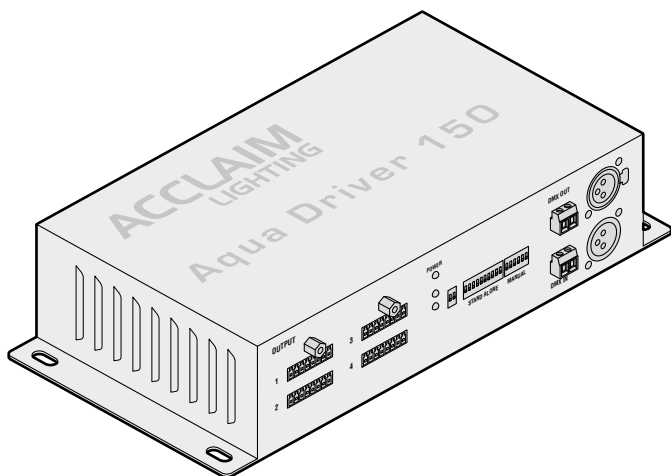
Color or color temperature	Lumens	Center Candela	Efficacy (lm/W)	CRI (Ra)	TM30
2700K (EO)	668	8,006	41	81.5	–
3500K (SO)	1,568	20,055	64	82.7	–
4000K (HO)	3,259	41,849	73	80.0	–
RGBW (EO)	424	6,502	27	–	–

PROJECT \_\_\_\_\_ FIRM \_\_\_\_\_ ORDER # \_\_\_\_\_ TYPE \_\_\_\_\_ QTY \_\_\_\_\_

## RELATED COMPONENTS

### Drivers

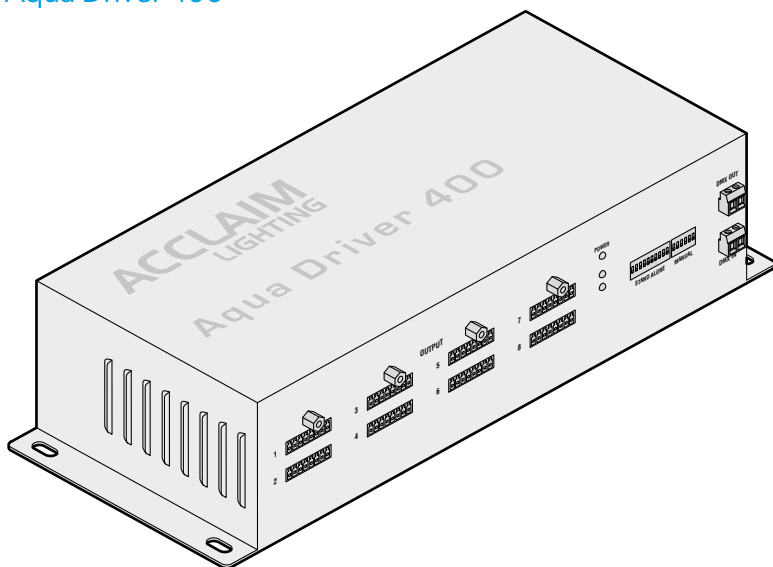
#### Aqua Driver 150



100-277VAC 50/60Hz input, 24VDC plus PWM outputs  
Supports up to **four** Aqua Drum heads (HO, SO or EO)

Part # **ADR157**

#### Aqua Driver 400



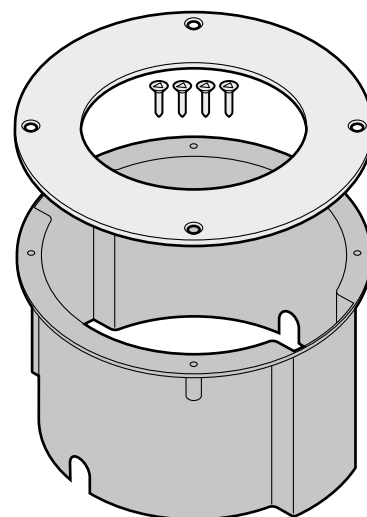
100-277VAC 50/60Hz input, 24VDC plus PWM outputs  
Supports up to **eight** Aqua Drum heads (HO, SO or EO)

Part # **ADR400**

### Mounting accessories

#### In-grade housings

Each includes black plastic sleeve, stainless steel trim ring plus four security screws



For Aqua Drum HO  
For Aqua Drum SO  
For Aqua Drum EO

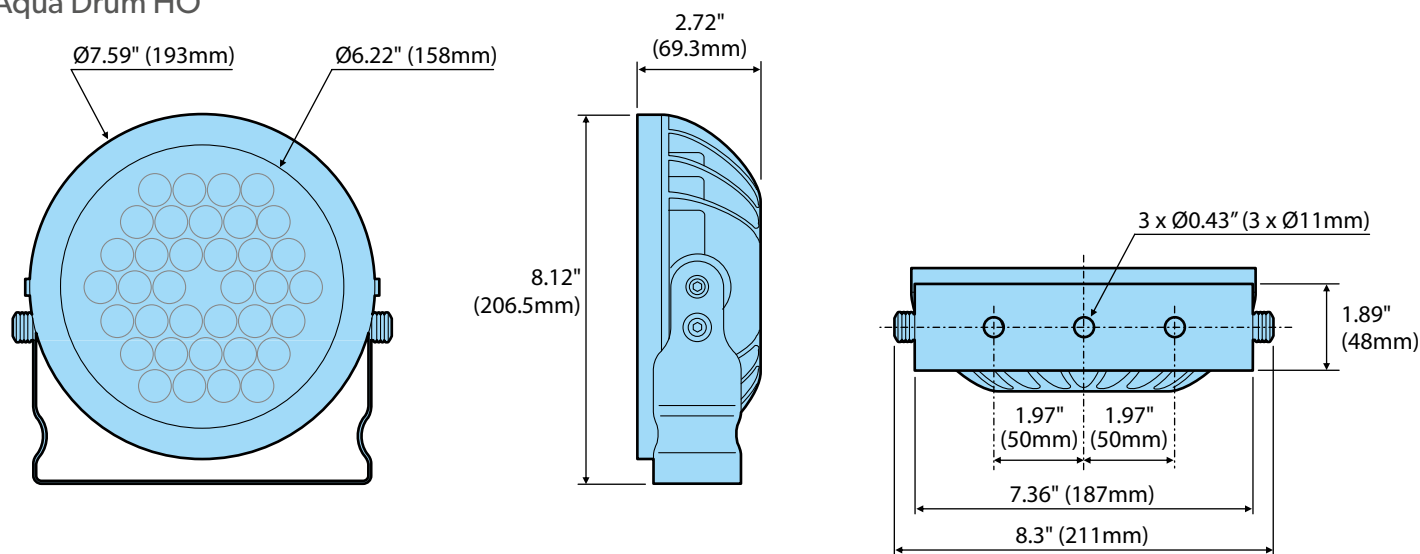
**AQD-IGH-HO**  
**AQD-IGH-SO**  
**AQD-IGH-EO**



PROJECT: \_\_\_\_\_ FIRM: \_\_\_\_\_ ORDER #: \_\_\_\_\_ TYPE: \_\_\_\_\_ QTY: \_\_\_\_\_

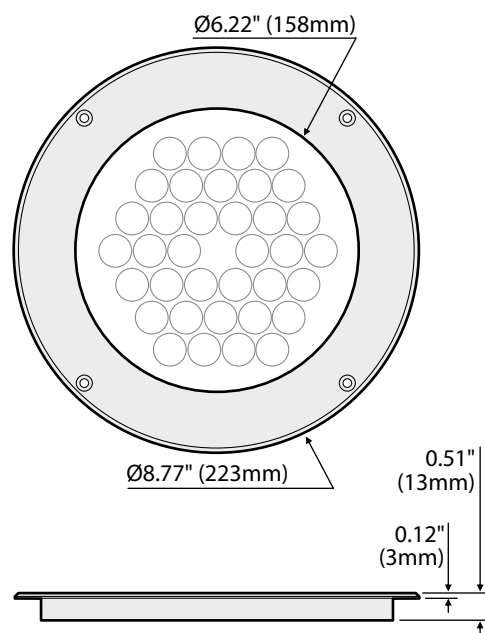
## DIMENSIONS

### Aqua Drum HO

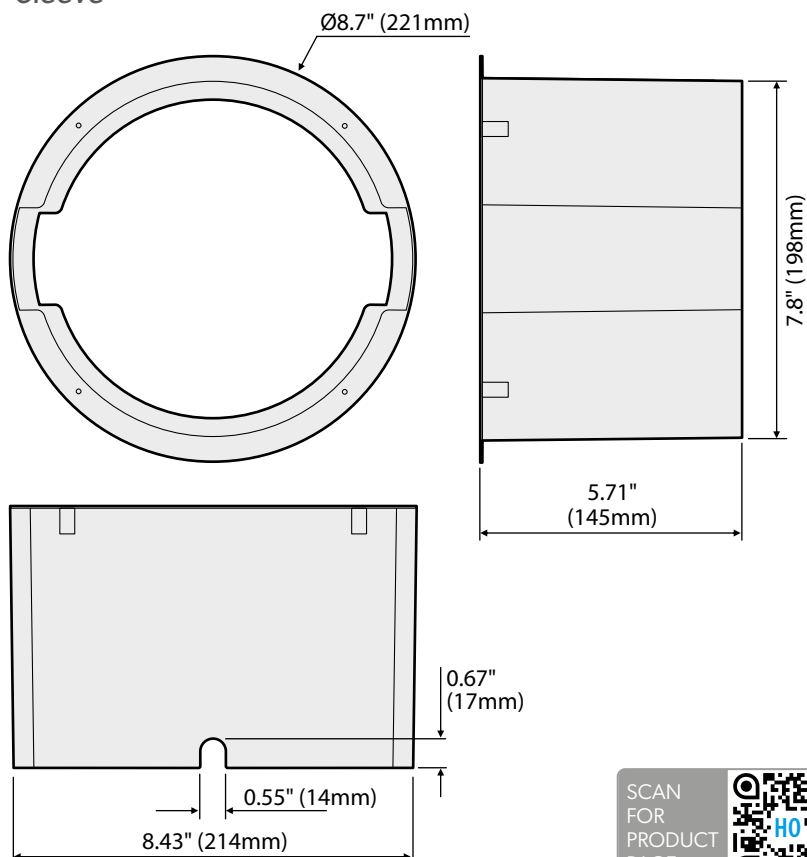


### Optional in-grade housing for Aqua Drum HO

#### Trim ring



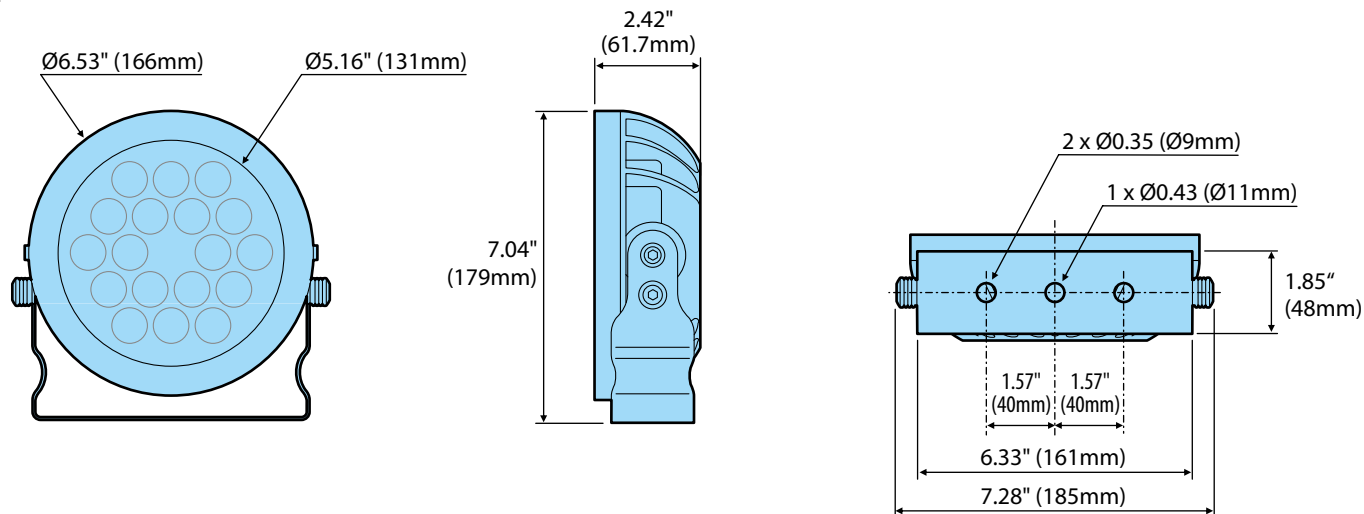
#### Sleeve



PROJECT: \_\_\_\_\_ FIRM: \_\_\_\_\_ ORDER #: \_\_\_\_\_ TYPE: \_\_\_\_\_ QTY: \_\_\_\_\_

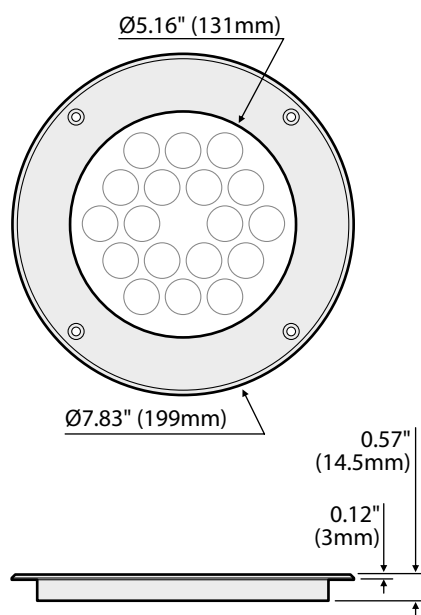
## DIMENSIONS

### Aqua Drum SO

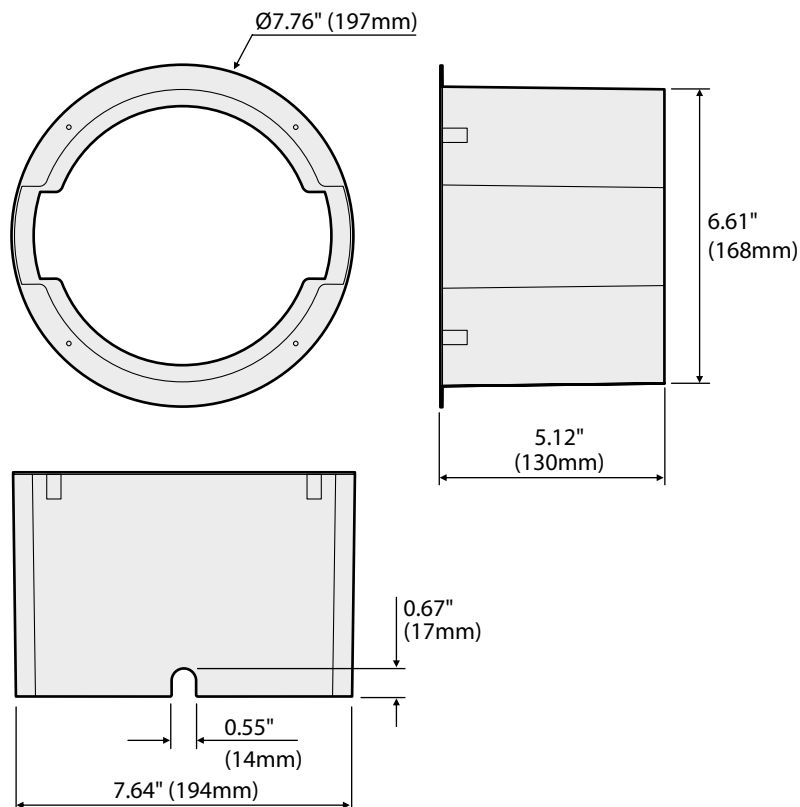


### Optional in-grade housing for Aqua Drum SO

#### Trim ring



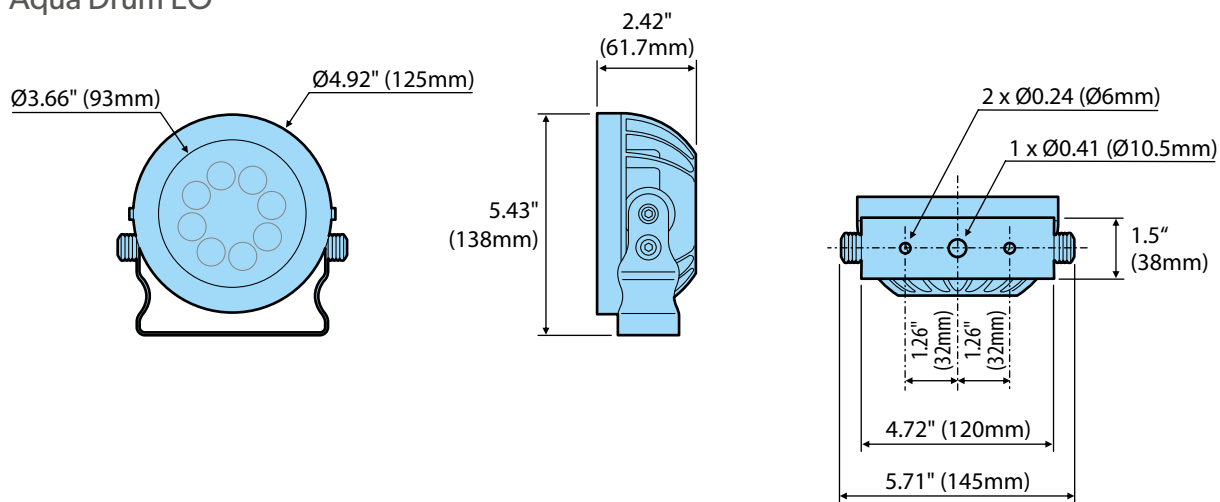
#### Sleeve



PROJECT \_\_\_\_\_ FIRM \_\_\_\_\_ ORDER # \_\_\_\_\_ TYPE \_\_\_\_\_ QTY \_\_\_\_\_

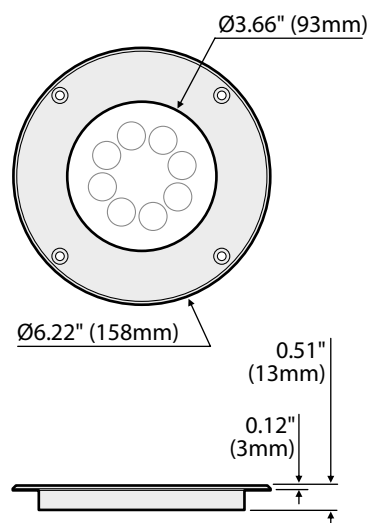
## DIMENSIONS

### Aqua Drum EO

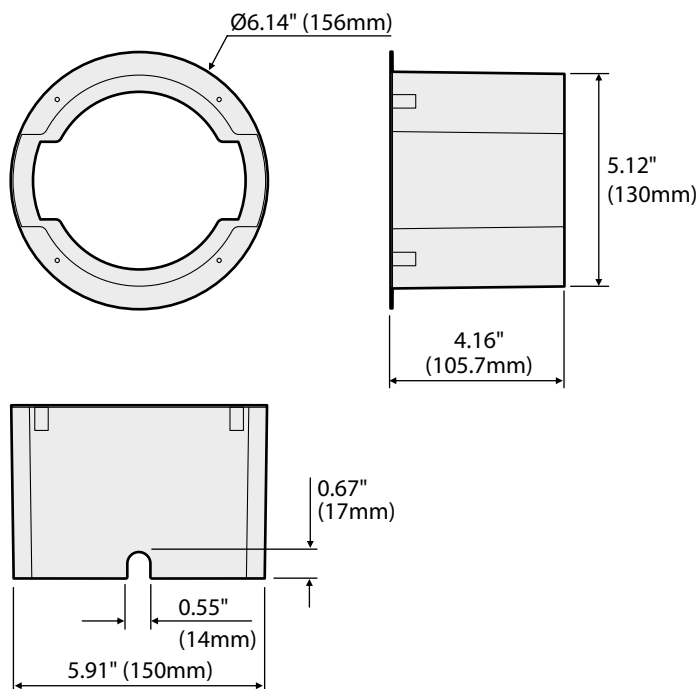


### Optional in-grade housing for Aqua Drum EO

#### Trim ring



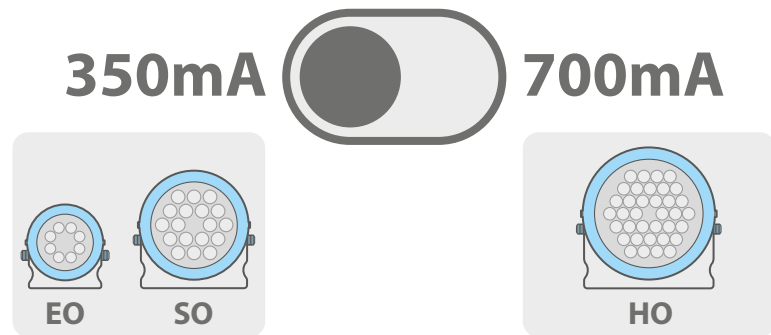
#### Sleeve



PROJECT \_\_\_\_\_ FIRM \_\_\_\_\_ ORDER# \_\_\_\_\_ TYPE \_\_\_\_\_ QTY \_\_\_\_\_

## DRIVER CONNECTIONS

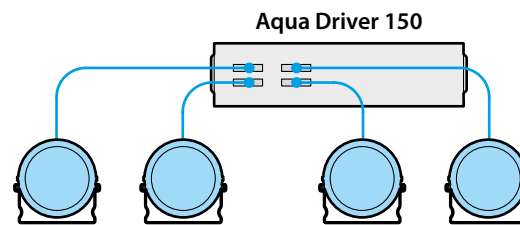
The various sizes of Aqua Drum heads use one of two drive currents: 350mA or 700mA. The Aqua Driver modules can either be switched to one current setting or the other. This means that while it is possible to mix Aqua Drum EO and SO heads on the same driver, the HO models can only be used exclusively because they require the higher current setting.



### Aqua Driver 150

These drivers can supply **four** Aqua Drum heads, either:

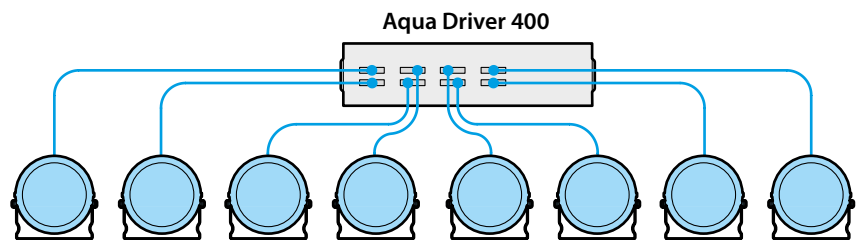
- A mix of up to four EO and SO heads at the 350mA setting.
- or
- Up to four HO heads at the 700mA setting.



### Aqua Driver 400

These drivers can supply **eight** Aqua Drum heads, either:

- A mix of up to eight EO and SO heads at the 350mA setting.
- or
- Up to eight HO heads at the 700mA setting.

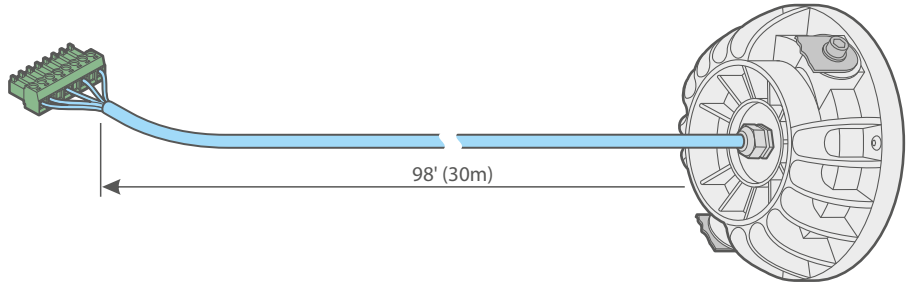


PROJECT \_\_\_\_\_ FIRM \_\_\_\_\_ ORDER # \_\_\_\_\_ TYPE \_\_\_\_\_ QTY \_\_\_\_\_

## AQUA DRUM CABLING

### Cables

Each Aqua Drum head is fitted with a 98' (30m) STOW cable (**S**ervice, **T**hermoplastic, **O**il and **W**ater resistant). The cable is sealed at the rear of the head and has a terminal block at the driver end. The cable can be shortened and re-wired to the terminal block, as necessary. The outer diameter of the STOW cable is 0.47" (12mm).

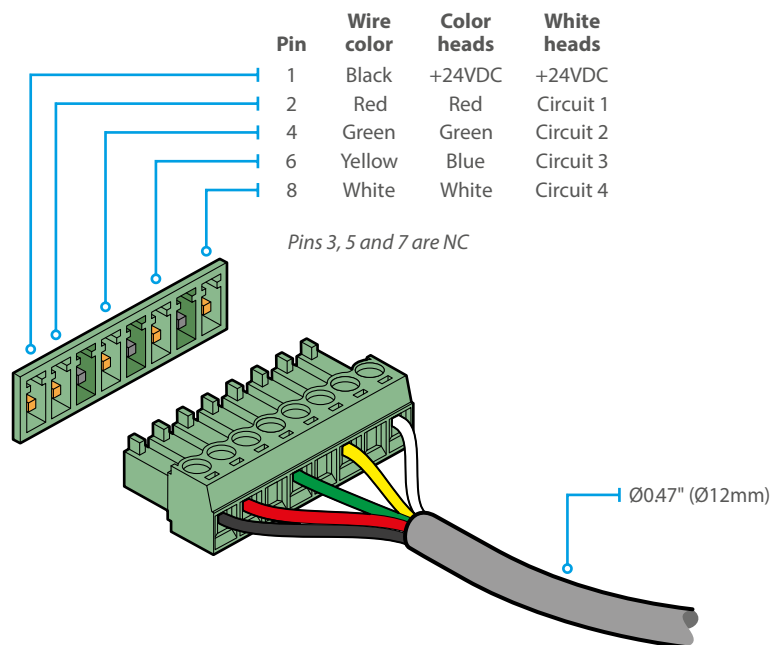


In situations where the Aqua Drum cable is connected to a supply cable before arriving at the driver, ensure the conductors of the supply cable are of sufficient size and that the total cable length (including the Aqua Drum cable) is not exceeded:

Conductor size	Maximum length (including Aqua Drum cable)
• 18 AWG (0.823mm <sup>2</sup> )	Up to 100' (30m)
• 14 AWG (2.081mm <sup>2</sup> )	Up to 125' (38m)
• 12 AWG (3.309mm <sup>2</sup> )	Up to 150' (45m)

### Cable pinout

Each Aqua Drum cable has five wires connected to an 8-way terminal block:



### Mixing white and color Aqua Drum heads

Each Aqua Driver module uses switch settings to determine whether the attached heads have fixed white or color mixing emitters. The chosen setting is applied to all ports of the driver. However, the electrical characteristics of the ports do not change, only their logical addressing configuration. Therefore, if necessary, it is possible to integrate fixed white heads into a driver configured for color mixing.

When a fixed white model is attached to a driver running in color mixing mode, the various white emitter circuits of the head will respond individually to the equivalent RGBW/A DMX channel addresses. This behavior can be accommodated by grouping those channels together at the DMX controller.

*Note: The restriction on not mixing HO heads (whether fixed white or color mixing) with EO/SO heads still remains.*

For full installation details, please refer to the **user guide**, available for free download here:

