

AL Dot

CONTENTS

| | |
|--|-----------|
| INTRODUCTION | 2 |
| Welcome | 2 |
| Safety | 2 |
| Supplied items | 3 |
| Optional extras | 3 |
| INSTALLATION | 5 |
| Power and control wiring | 6 |
| Maximum cable lengths / number of fixtures | 7 |
| Extending AL Dot runs | 8 |
| DMX channel designations | 9 |
| OPERATION | 10 |
| Addressing fixtures | 10 |
| Testing emitter output | 11 |
| FURTHER INFORMATION | 12 |
| Troubleshooting | 12 |
| Specifications | 12 |
| Dimensions | 13 |
| Limited product warranty | 14 |

INTRODUCTION

WELCOME

Welcome to the AL Dot range from Acclaim Lighting. These compact, aluminum bodied, wet location (IP66) fixtures are self-contained DMX/RDM nodes which emit singular dots of dimmable light. When used in multiples, they can create a large scale, low resolution graphic display.

AL Dots are available in two white light options (3000K or 4000K) as well as RGB and Spectrum RGBW (W=3000K) color mixing variants. There are three lens options to suit your installation type: Clear flat, diffused flat or diffused dome. Each AL Dot features a large screw threaded body (diameter 1.73"/44mm) with two aluminum locking rings to allow for panel mounting, where necessary.

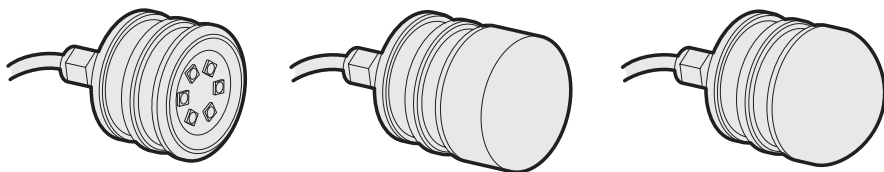
Each AL Dot comes complete with an integral T-cable which combines power (24VDC) and control (DMX/RDM) to make it simple to daisy chain multiple units. All connectors are IP67 rated and feature secure locking to promote reliable operation in all conditions.

Each AL Dot is fully configurable using RDM (Remote Device Management) and can be assigned to any DMX address (a single address is required for each white light model, while the RGB and Spectrum RGBW versions require 3 and 4 DMX addresses respectively). A maximum of 50 AL Dots may be joined in a single daisy chain (due to power bus restrictions), however, this limit can be extended by using the optional power feed T-cable (see page 8).

SAFETY

- Ensure that the power input is supplied from a correctly fused, grounded and environmentally protected location.

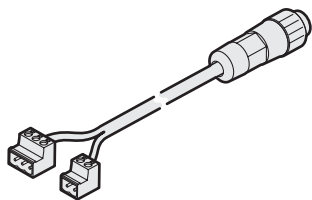
SUPPLIED ITEMS



AL Dots with clear flat, diffused flat and diffused dome lens options

Available with 3000K, 4000K, RGB or Spectrum RGBW emitter options

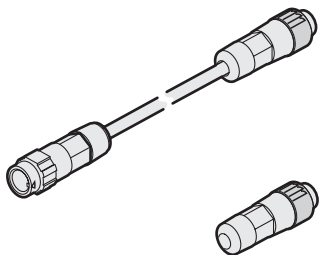
OPTIONAL EXTRAS



Feed cable

10' (3m)

[ADOFC10]



Link cables

1' (30cm)

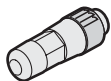
[ADOLC1]

5' (1.5m)

[ADOLC5]

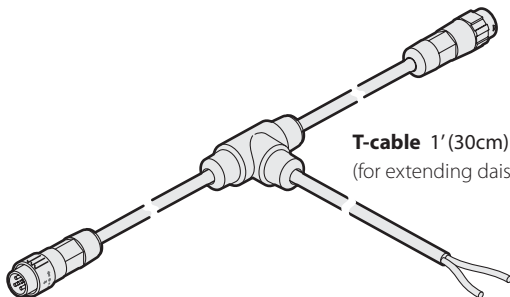
10' (3m)

[ADOLC10]



End cap

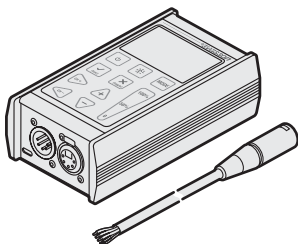
[ADOEC]



T-cable 1' (30cm)

(for extending daisy chains lengths)

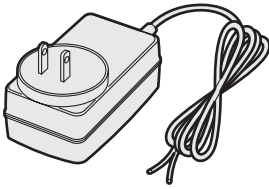
[ADOT1]



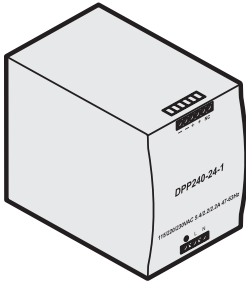
DMX/RDM tool plus male 5pin XLR lead

[XMT350]

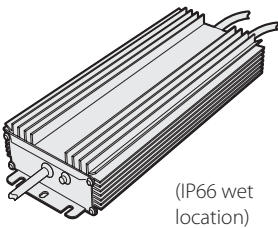
OPTIONAL EXTRAS (CONTINUED)



Small power supply (100-240VAC, 50-60Hz input)
24VDC 30W (powers 1 x 8 AL Dot run) [APS-30-24]
includes 4.6 feet (1.4m) cable with bare conductors



Large power supplies (115-230VAC, 47-63Hz input)
24VDC 240W (powers 1 x 50 AL Dot run) [APS-240-24]
24VDC 480W (powers 3 x 50 AL Dot runs) [APS-480-24]



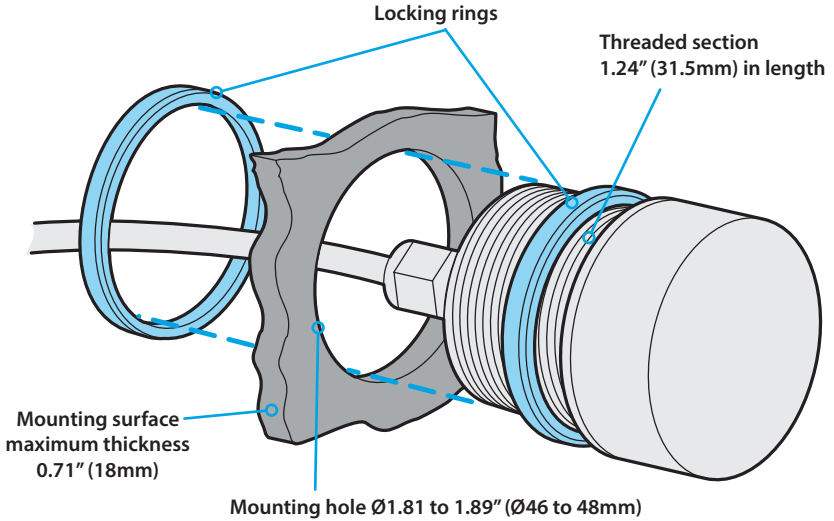
Wet location large power supply (100-277VAC, 47-63Hz input)
24VDC 300W (powers 2 x 50 AL Dot runs) [APS-300-24-IP]

INSTALLATION

AL Dots are primarily designed to be mounted within surfaces that are no greater than 0.71" (18mm) in thickness. A hole of diameter 1.81 to 1.89" (46 to 48mm) is required.

TO MOUNT AN AL DOT

- 1 Unscrew and remove the first (rear) locking ring from the AL Dot body.
- 2 Carefully slide the locking ring along the AL Dot's cable and T-piece so that it is completely detached.
- 3 Feed the AL Dot's cable and T-piece through the pre-prepared mounting hole and insert the body of the AL Dot into the hole.



- 4 Use the front locking ring to determine how deep into the mounting surface the AL Dot should sit.
- 5 Feed the removed locking ring back onto the cable/T-piece and screw it back onto the body of the AL Dot to tighten it within the mounting surface.
- 6 Connect the AL Dot to your power and control source (see page 6).

POWER AND CONTROL WIRING

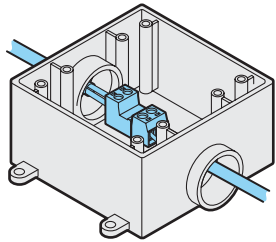
AL Dot fixtures use Chogori™ Standard (22) series IP67 5-pin connectors for their combined power/control inputs and outputs. AL Dot fixtures can be either daisy chained directly to each other or via intermediary link cables, depending on distances between fixtures.

AL Dot fixtures require both a regulated 24VDC power input as well as DMX control. The final fixture in the line should have a 120Ω terminating resistor connected between the DMX + and DMX – lines.

Due to the limited current carrying capacity of the internal power buses, runs of AL Dot fixtures must not exceed 100 feet (30m). See page 8 if longer runs are needed.

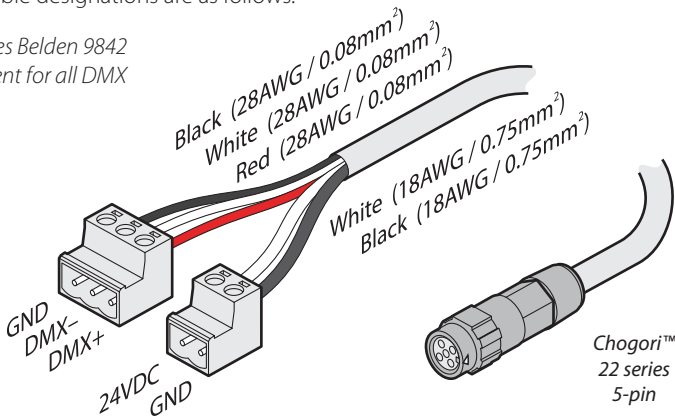
The required feed cables (available as separate purchase) also include (male plus matching female) pluggable terminal sockets (5.08mm pitch) at the external end for rapid connections. The cable designations are as follows:

Note: Acclaim requires Belden 9842 or approved equivalent for all DMX wiring applications.

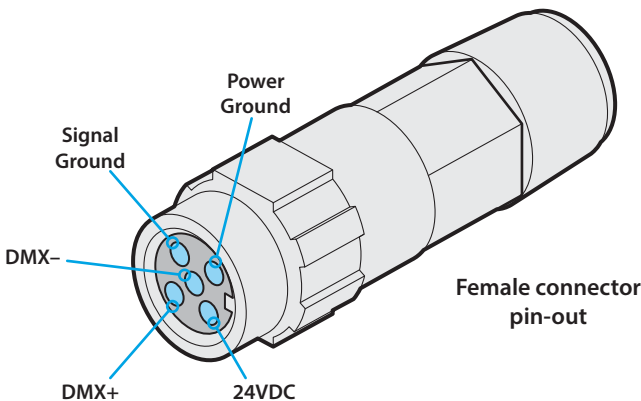


Connections to feed cables are best protected within junction boxes with suitable IP ratings

**AL Dot
3' (10m)
feed-in cable**
24VDC and DMX
[Part #: ADOFC10]

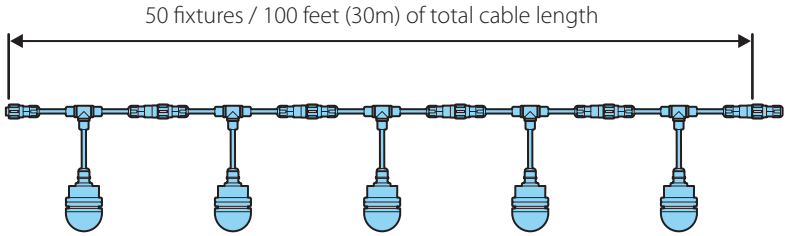


IMPORTANT: These connectors are not rated for live connection or disconnection. Check that power is isolated before making or breaking any links. Ensure the connectors have locked and are seated correctly before applying power.



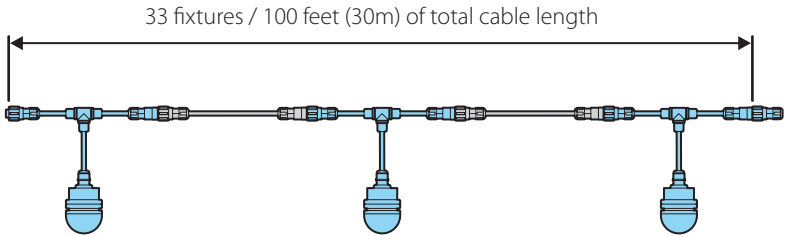
MAXIMUM CABLE LENGTHS / NUMBER OF FIXTURES

The maximum number of fixtures that can be connected in a single series run is 50 when they are directly connected to each other (which will result in their total cable length being 100 feet (30m):



Where greater distances are required between AL Dots, you can use extra link cables. However, the total number of AL Dot fixtures must be reduced accordingly so that the total cable run does not exceed 100 feet (30m).

For instance, if 1' (30cm) link cables were used between each of the AL Dot fixtures, the total number of fixtures would need to be reduced to 33:



See page 8 if longer runs are needed.

IMPORTANT: In damp or wet location installations, ensure that the output connector of the final fixture has an end cap fitted [AGDEC] to prevent moisture ingress.

EXTENDING AL DOT RUNS

Due to the limited current carrying capacity of the internal power buses, runs of AL Dot fixtures must not exceed 100 feet / 50 units when they are directly connected to each other (less when link cables are also used - see page 7). Where more AL Dots / longer runs are required, you can either arrange separate parallel runs of fixtures, or use the optional T-cable [AGDT1] from Acclaim Lighting. The T-cable can be applied between separate 100 feet (or less) runs; its job is to continue the DMX control connections while terminating and replacing the power input with a new source.

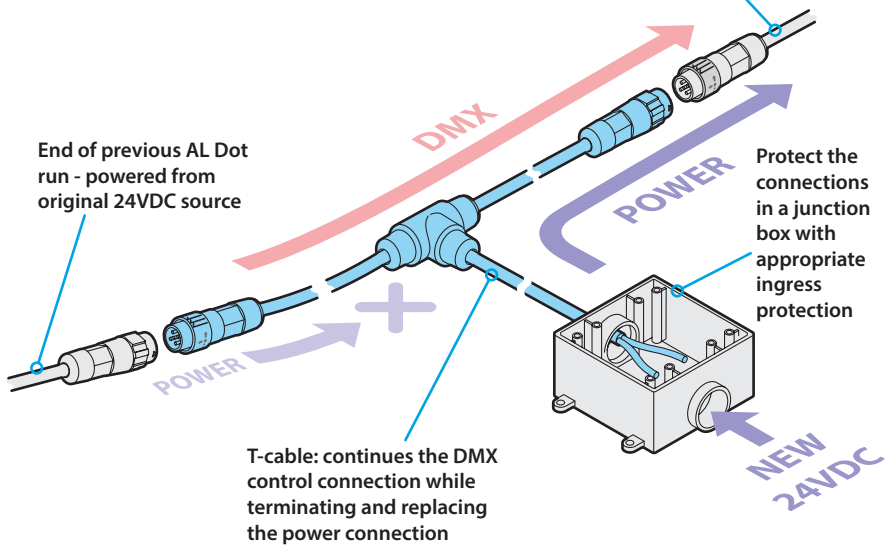
Note: The preferred method is to use separate parallel runs as the reliable limits of DMX operation may be exceeded if too many fixtures are connected to a single, unbuffered control line.

T-cable lengths:

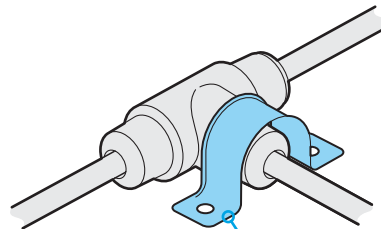
Connector to connector - 12" (305mm)

Center point to bare tails - 12" (305mm)

Beginning of new (up to) 50 AL Dot run - powered from new 24VDC source, via the T-cable



Where the T-cable body needs to be secured, we recommend the use of a standard 3/4" pipe strap:



3/4" pipe strap (not supplied)

DMX CHANNEL DESIGNATIONS

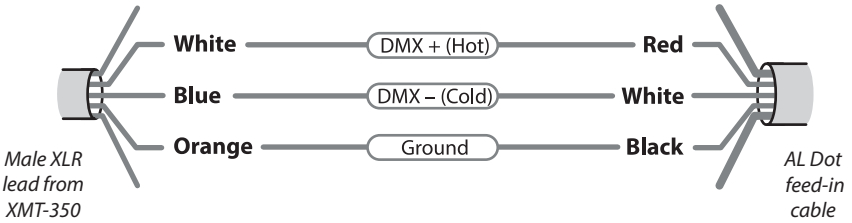
The various AL Dot variants apply their LED emitters to DMX channels in different ways, as summarized in the table below.

| DMX | 3000K | 4000K | RGB | Spectrum RGBW |
|-----|-------|-------|-------|---------------|
| 1 | White | White | Red | Red |
| 2 | | | Green | Green |
| 3 | | | Blue | Blue |
| 4 | | | | White (3000K) |

The channel allocations above are shown beginning at DMX address 1. When you configure a fixture with an alternative DMX address, that value will become the first channel in the list shown above and the other channels will increment from there.

MAKING A TEMPORARY CONTROL LINK

Each XMT-350 DMX/RDM tool is supplied with a 5-pin male XLR lead that can be used to make a temporary control input link with the AL Dot feed-in cable. Use a 3-pin terminal block, wire nuts, conn blocks or Wago® connectors to temporarily join the two cables:



OPERATION

ADDRESSING FIXTURES

AL Dot fixtures have no external controls and instead rely on RDM (Remote Device Management) for all configuration via the DMX interface. This allows multiple devices to be configured either before or after installation.

Note: Each AL Dot fixture is supplied with its DMX address set to 1 by default.

Various third party DMX/RDM tools are available; Acclaim Lighting recommends the Swisson XMT-350 for this task.

TO ADDRESS FIXTURES USING THE SWISSON XMT-350

- 1 Connect the XMT-350 to the DMX input line of either a single fixture or multiple fixtures in a pre-arranged daisy chain configuration.
- 2 Power on the fixture(s) and the XMT-350.
- 3 On the XMT-350, press the **MODE** button, then use the arrow buttons to highlight the **RDM** function and press the **✓** button to select. The XMT-350 will search for RDM devices and after a short while the XMT-350 will display a list of all located fixtures:

| MAIN | PATCH | OPTIONS | 004/004 |
|--------|-------|---------|---------|
| AL DOT | | | 001 |
| AL DOT | | | 004 |
| AL DOT | | | 007 |
| AL DOT | | | 010 |

The fixture that is highlighted within the list should begin flashing its emitters to identify itself.

- 4 On the XMT-350, press the right arrow button to change to the **PATCH** tab:

| MAIN | PATCH | OPTIONS | 004/004 |
|--------------------|-------|---------|---------|
| ▶ RESTART PATCHING | | | |
| AL DOT | | | (001) |
| AL DOT | | | 004 |
| AL DOT | | | 007 |
| AL DOT | | | 010 |

Note: DMX addresses shown in brackets, e.g. (001), have been temporarily assigned by the XMT-350, but are not yet stored within the fixture(s).

- 5 If necessary, use the up/down buttons to choose an alternative fixture.
- 6 Press the **✓** button to set the address for the currently highlighted fixture:

| | |
|-------------------|----------|
| ACTUAL ADDRESS: | 001 |
| PATCH TO ADDRESS: | 001 |
| ✓ OK | ✗ CANCEL |

- 7 Use the up/down buttons to set the required DMX address and then press the **✓** button to store it within the fixture.
- 8 The highlight will automatically move to the next fixture so that you can address it. Repeat steps 5 to 7 until all fixtures are addressed.

TESTING EMITTER OUTPUT

After you have addressed each AL Dot fixture we recommend that you also test each one prior to installation. This can be achieved with your RDM (Remote Device Management) tool. Various third party DMX/RDM tools are available; Acclaim Lighting recommends the Swisson XMT-350 for this task.

TO TEST EMITTER OUTPUT USING THE SWISSON XMT-350

- 1 Connect the XMT-350 to the DMX input line of either a single fixture or multiple fixtures in a pre-arranged daisy chain configuration.
- 2 Power on the fixture(s) and the XMT-350.
- 3 On the XMT-350, press the **MODE** button, then use the arrow buttons to highlight the **SEND** function and press the **✓** button to select.



- 4 Use the arrow buttons to determine the DMX output:
 - Use the left and right buttons to choose the DMX address,
 - Use the up and down buttons to increase/decrease the level at the chosen address.

*Note: If you wish to send DMX values to all addresses simultaneously (rather than cycling through them individually), when the XMT-350 is showing address 001, press the left button once to change to **ALL CHANNELS**. Now when you set the level it will affect all emitters equally.*


FURTHER INFORMATION

TROUBLESHOOTING

LUMINAIRE DOESN'T TURN ON

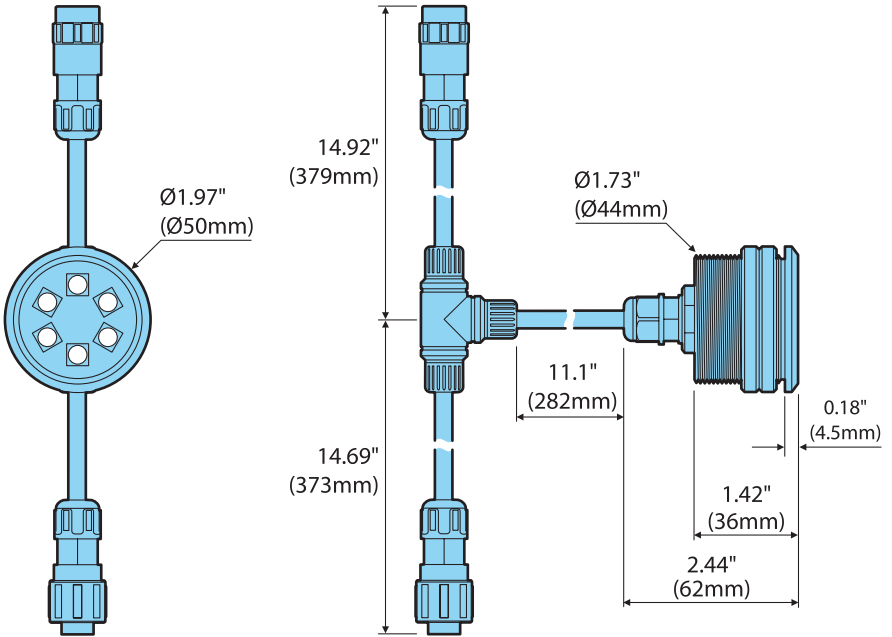
- Check that power is correctly applied to the fixture and that there is no damage to the power input cord.
- (DMX models) Use an RDM tool (such as the Swisson XMT-350) to check the settings and internal temperature of the fixture.
- (DMX models) Using an RDM tool, check that the DMX address set within the fixture matches that being output by the controlling source device.
- (DMX models) Check that the DMX + (hot) and DMX - (cold) lines on the incoming control link have not been crossed.

SPECIFICATIONS

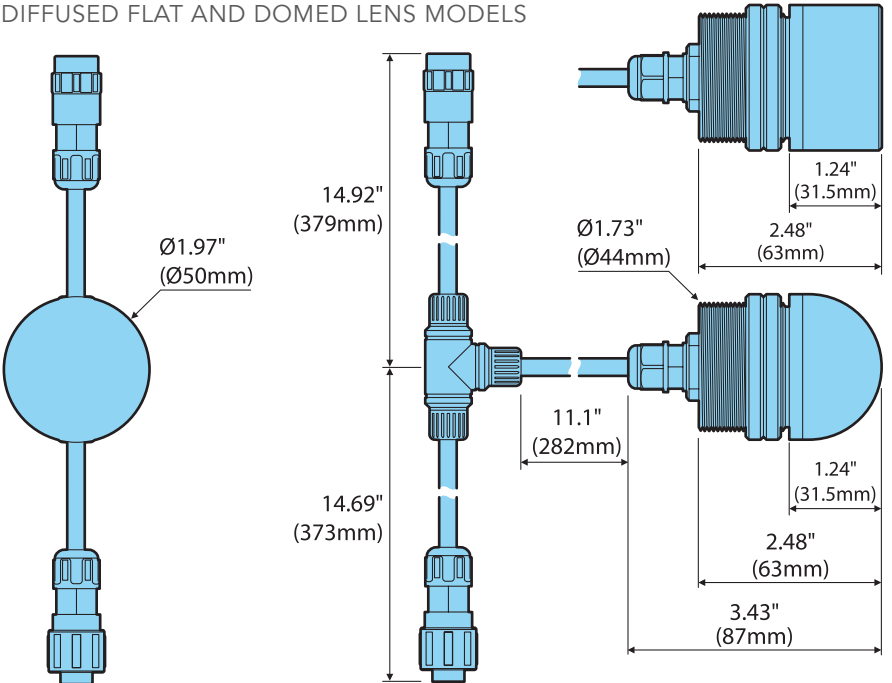
| | |
|--------------------------------------|---|
| Color models | 3000K white, 4000K white, RGB or Spectrum RGBW (W=3000K) |
| Beam angle | 120° |
| Total lumens | 75 (RGBW full on, clear flat lens option), estimated |
| Lumen maintenance (L ₇₀) | 150,000 hours |
| Control | DMX512-A (+ RDM configuration) |
| Ingress protection | IP66, wet location |
| Fixture connectors | Chogori™ Standard (22) series, IP67 rated 5-pin combined DC power & control |
| Maximum daisy chain | 50 units |
| Power input | 24VDC |
| Power consumption | 3W |
| Housing | Anodized brushed aluminum with polycarbonate lens |
| Finish | Silver |
| Mounting | Pendant or hole mounted |
| Operating temperature | -10°F to 123°F (-23°C to 50°C) |
| Weight | 0.77 lbs/350 g |
| Certifications |   |

DIMENSIONS

CLEAR FLAT LENS MODEL



DIFFUSED FLAT AND DOMED LENS MODELS



LIMITED PRODUCT WARRANTY

A. Acclaim Lighting™ hereby warrants, to the original purchaser, Acclaim Lighting finished products to be free of manufacturing defects in material and workmanship for a standard period of:

- Fixtures: 5 Years (1,825 days) from the date of purchase.
- Drivers, power supplies and accessories: 5 Years (1,825 days) from the date of purchase.
- Flex Products: 3 Years (1,095 days) from the date of purchase.
- Controllers: 2 Years (730 days) from the date of purchase.

It is the owner's responsibility to establish the date and place of purchase and warranty terms by acceptable evidence, at the time service is sought.

B. For warranty service, send the product only to the Acclaim factory. All shipping charges must be pre-paid. If the requested repairs or service (including parts replacement) are within the terms of this warranty, Acclaim Lighting will pay return shipping charges only to a designated point within the United States. If the entire instrument is sent, it must be shipped in its original package. No accessories should be shipped with the product. If any accessories are shipped with the product, Acclaim Lighting shall have no liability whatsoever for loss of or damage to any such accessories, nor for the safe return thereof. Acclaim reserves the right to replace the item with same or similar product at its discretion.

C. This warranty is void if the serial number has been altered or removed; if the product is modified in any manner which Acclaim concludes, after inspection, affects the reliability of the product; if the product has been repaired or serviced by anyone other than the Acclaim Lighting factory unless prior written authorization was issued to purchaser by Acclaim Lighting; if the product is damaged because not properly maintained as set forth in the instruction manual.

D. This is not a service contract, and this warranty does not include maintenance, cleaning or periodic check-up nor do we guarantee as part of this warranty any lumen performance during period. Parts not covered by this warranty include: fuses, external power supplies, third party items not manufactures by Acclaim lighting. During the period specified above, Acclaim Lighting will replace defective parts at its expense, and will absorb all expenses for warranty service and repair labor by reason of defects in material or workmanship. The sole responsibility of Acclaim Lighting under this warranty shall be limited to the repair of the product, or replacement thereof, including parts, at the sole discretion of Acclaim Lighting. At no time will installation or re-installation or products labor or liability costs will be assumed by Acclaim Lighting. All products covered by this warranty were manufactured after January 1, 2012, and bear identifying serial number marks to that effect.

E. Acclaim Lighting reserves the right to make changes in design and/or improvements upon its products without any obligation to include these changes in any products theretofore manufactured. No warranty, whether expressed or implied, is given or made with respect to any accessory supplied with products describe above. Except to the extent prohibited by applicable law, all implied warranties made by Acclaim Lighting in connection with this product, including warranties of merchantability or fitness, are limited in duration to the warranty period set forth above. And no warranties, whether expressed or implied, including warranties of merchantability or fitness, shall apply to this product after said period has expired.

F. Marine or extreme weather location applications using Acclaim lighting products are subject to a 2 year limited warranty and Acclaim must be notified prior to delivery of units for such applications so that preventative treatment can be made to the products to ensure proper performance and product life with a special marine code coating / sealing process at an additional cost.

G. The consumer's and or dealer's sole remedy shall be such repair or replacement as is expressly provide above; and under no circumstances shall Acclaim Lighting be liable for any loss or damage, direct or consequential, arising out of the use of, or inability to use, this product. This warranty is the only written warranty applicable to Acclaim Lighting products and supersedes all prior warranties and written descriptions of warranty terms and conditions heretofore published.

www.acclaimlighting.com