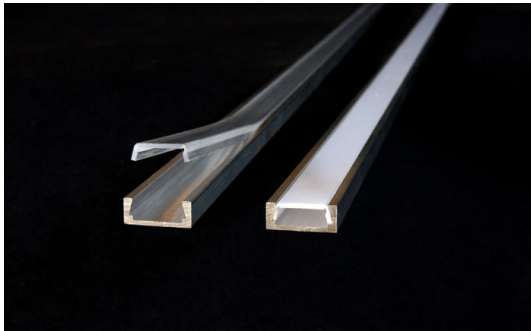


Flex Mini Channel



Client:

Project:

Type:

Order Code:

Quantity:

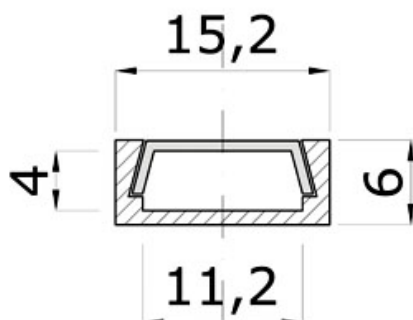
The **Flex Mini Channel** is an anodized aluminum channel for Acclaim Flex Interior products. It features a low profile design which can also accept clear, frosted or opal lenses.

Compatible with: Flex One HO & SO Int., Flex Eco Int., Ai Flex Int.

Specifications

Length	1m (3.28'), Cut to length as needed
Material	Double Anodized Aluminum, Polycarbonate Lenses
IP Rating	IP22, Dry Location
Area Temperature	32° F - 104° F (0° C - 40° C)
Warranty	3 Years
Mounting	via Stainless Steel Mounting Bracket (Sold Separately)
Weight	0.18 lbs. / 0.08 kg
Dimensions	L: 39.3" W: 0.6" H: 0.23" (1000mm W: 15.2mm H: 6mm)

Dimensions



Flex Mini Channel

Order Code

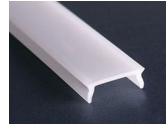
FLK MIN: Flex Mini Channel Extrusion, 1 m (3.28')

Related Components

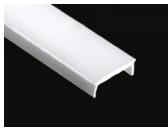
FLK MFC: Clear Lens 1m (3.28')



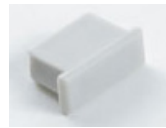
FLK MFL: Frosted Lens 1m (3.28')



FLK MOL: Opal Lens 1m (3.28')



FLK MIN EC: End Cap



FLK MIN ECH: End Cap w/Hole



FLK SMB: Stainless Steel Mounting Bracket

