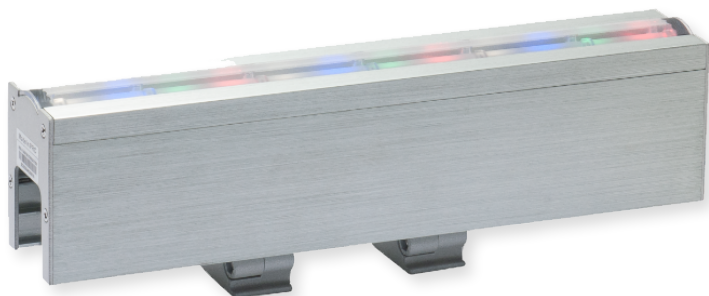


PROJECT _____ FIRM _____ ORDER # _____ TYPE _____ QTY _____



Part of the extensive **Linear One[®]** family, these attractive aluminum-bodied, natorium-ready (IP66) linear fixtures are available in 1' and 4' lengths and are easily interconnected in series to simplify installation.

Flexibility is key, with a wide choice of configuration combinations, including: multiple emitter types, a full range of TIR optics, plus glare shields and louvers. All of which are fulfilled through our **Acclaim Modular** system in Los Angeles to ensure industry-leading delivery times.

Control is achieved using the industry standard DMX-512A format, with RDM for remote configuration. The internal auto-sensing power supply within each unit can accept mains inputs between 100 to 277VAC at 50 or 60Hz.

AT A GLANCE

Optics

10° x 10°, 10° x 25°
 10° x 40°, 10 x 60°
 30° x 30°, 30° x 60°
 40° x 10°, 45° x 75°
 60° x 10°, 60° x 60°
 60° x 30°
 90° x 10°, 100° x 100°
 60° x 60° + 20° tilt

Emitters

RGBW (W=3000K, 4000K or 6000K) or **RGBA** or **Dynamic White (DW)** (2200K to 5000K)

Power

100 to 277VAC
50/60Hz

Temperature

-40° F to 131° F
-40° C to 55° C

Protection

Ingress: **IP66**
Impact: **IK10**
Vibration: **3G**

Output

Up to **760 lumens** per linear foot

Run lengths

50' (15m) at 120VAC
100' (30m) at 230VAC+

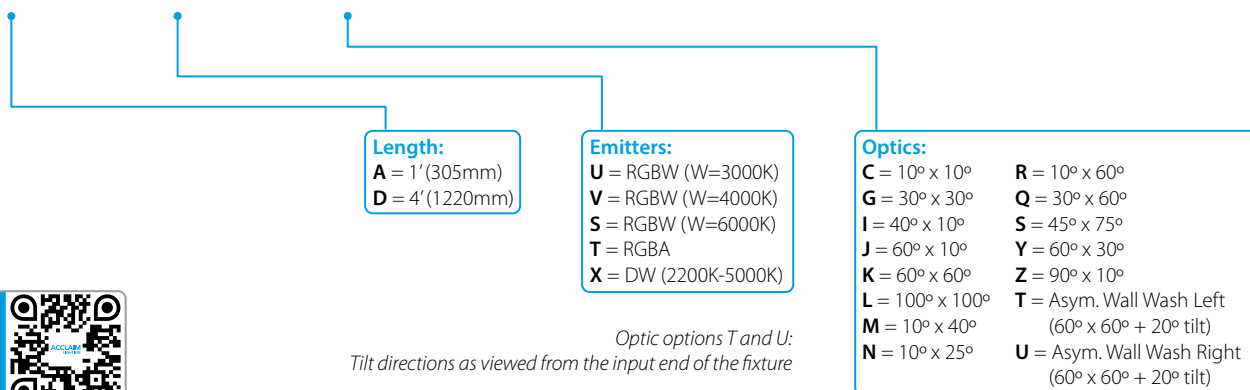
Core technology

COLORDRIVE | TECHNOLOGY
ACCLAIMMODULAR SYSTEMS

CONFIGURE YOUR PRODUCT

LXE **-LXC** **-OPX**

Example final code: **LXED-LXCU-OPXG**







Optic options T and U:
Tilt directions as viewed from the input end of the fixture



PROJECT FIRM ORDER # TYPE QTY

SPECIFICATIONS

Emitters	RGBW (W=3000K), RGBW (W=4000K), RGBW (W=6000K), RGBA, DW (2200K - 5000K)
Optics	10° x 10°, 10° x 25°, 10° x 40°, 10° x 60°, 30° x 30°, 30° x 60°, 40° x 10°, 45° x 75°, 60° x 10°, 60° x 30°, 60° x 60°, 90° x 10°, 100° x 100°, Asymmetric Wall Wash: Left or Right - <i>as viewed from the input end</i> (60° x 60° + 20° tilt)
Lumen maintenance	L ₇₀ 150,000 hours (@ 25° C)
Control	0-100% dimming via internal DMX+RDM driver, wireless via optional Aria Wireless System
Maximum fixtures in series	50' (15m) at 120VAC, 100' (30m) at 230VAC or 277VAC
Housing lengths	1' (305mm) or 4' (1220mm)
Operating voltage	100-277VAC, 50/60 Hz
Power consumption	1' : 20W, 4' : 80W
Fixture connectors	IP66 end-to-end multi-pin connection cables included
Mounting	90° swivel mounting brackets included, flat mounting brackets optional
Material	Aluminum body - Type III hard-coat anodized, polycarbonate lenses
Finish	Silver / finished aluminum, marine and natatorium environment capability standard
Ambient operating temp.	-40° F to 131° F (-40° C to 55° C)
Ingress protection	IP66, wet location - marine environment housing standard
Impact protection	IK10, protection against 20 joule impact (40cm distance)
Vibration protection	ANSI C136.31, 3G-rated for high vibration and bridge applications
Warranty	5 years, limited
Weight	1' : 2.4 lbs (1.1kg), 4' : 9.7 lbs (4.4kg)
Dimensions	LxWxH : 12" or 48" x 2.12" x 3.39" (305 or 1220 x 54 x 86mm). <i>See also page 5</i>
Certifications	   

PHOTOMETRICS

For all available IES files, please visit acclaimlighting.com/linear-one-dmx-exterior

Color or color temperature	Lumens (/ft)	Max Candela	Efficacy (lm/W)	CRI (white)	TM30
RGBW (W=3000K)	451	8,637	25	-	-
RGBW (W=4000K)	586	11,359	31	81.2	79.5
Dynamic White	760	14,372	43	80	78.4

PROJECT

FIRM

ORDER #

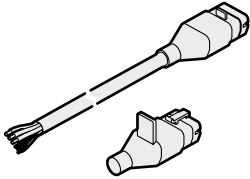
TYPE

QTY

RELATED COMPONENTS

Cable and connectors

Feed cables and end cap (required)



LNFC10

10' Feed Cable

Multi-pin connector to bare wire AC + DMX

LNFC50

50' Feed Cable

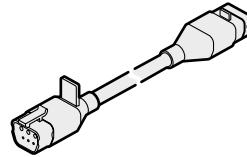
Multi-pin connector to bare wire AC + DMX

LXTEC

DMX Terminator End Cap

Multi-pin end cap with 120 Ohm resistor

Link cables (optional)



LNLC0

6" Link Cable

Multi-pin connector to multi-pin connector, use for curved runs

LNLC1

1' Link Cable

Multi-pin connector to multi-pin connector

LNLC5

5' Link Cable

Multi-pin connector to multi-pin connector

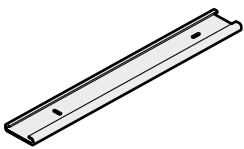
LNLC10

10' Link Cable

Multi-pin connector to multi-pin connector

Mounting accessories

Tracks



LNMT1

1' mounting track

Aluminum profile, screws not included

LNMT4

4' mounting track

Aluminum profile, screws not included

Flat brackets

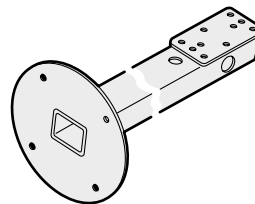


LNFBM

Flat Mounting Bracket

2 pcs required per fixture, factory fitted option

Extender bars



LNEB0.5

6" extender bar

Aluminum body, mounting screws included

LNEB1

1' extender bar

Aluminum body, mounting screws included

LNEB2

2' extender bar

Aluminum body, mounting screws included

LNEB3

3' extender bar

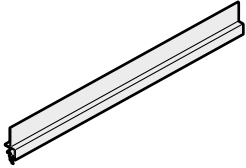
Aluminum body, mounting screws included

PROJECT _____ FIRM _____ ORDER # _____ TYPE _____ QTY _____

RELATED COMPONENTS

Beam accessories

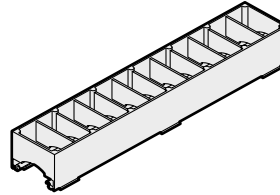
Glare shields



LXEGS1
1' single-sided glare shield

LXEGS4
4' single-sided glare shield

Louvers

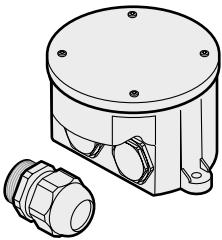


LXELV1
1' full louver

LXELV4
4' full louver

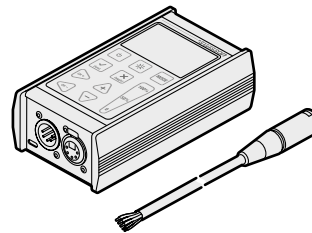
Control accessories

Junction box



AJBOX1
IP66 NEC compliant high+low voltage junction box
1/2" conduit inputs for AC + DMX, 3/4" conduit for LNFC##
Built-in AC surge protection up to 10kV & 10kA

DMX/RDM control accessory

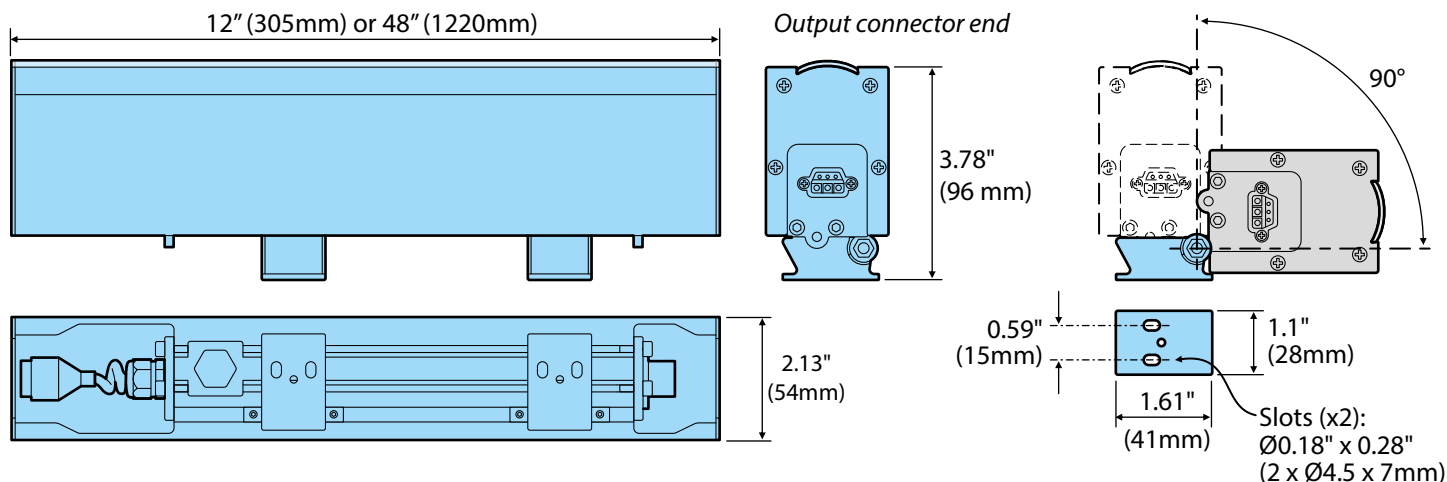


XMT350
DMX + RDM Addressing and Testing Tool

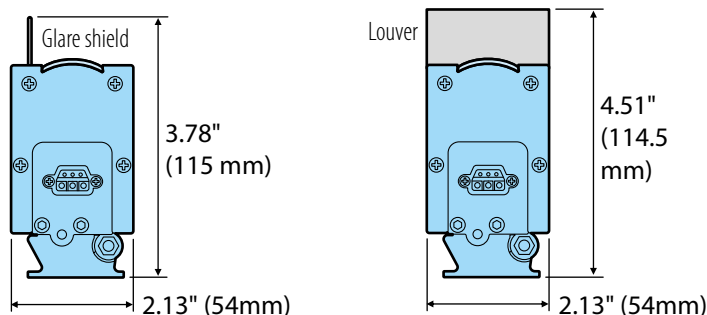


PROJECT _____ FIRM _____ ORDER # _____ TYPE _____ QTY _____

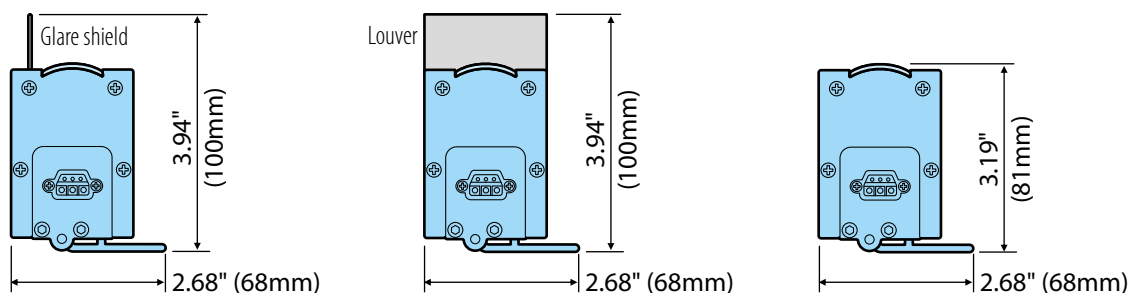
DIMENSIONS



Glare shield or louver fitted (standard brackets)



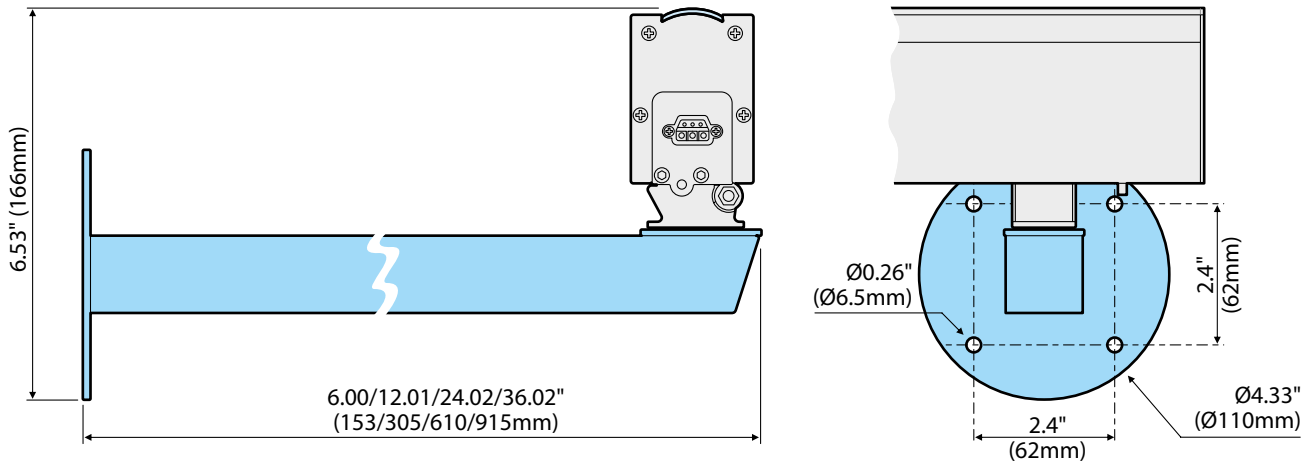
Glare shield or louver fitted (optional flat brackets)



PROJECT _____ FIRM _____ ORDER# _____ TYPE _____ QTY _____

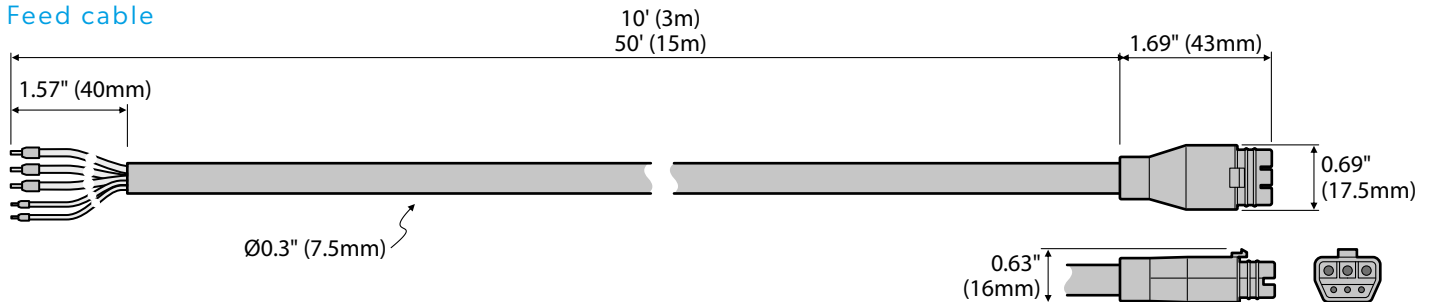
DIMENSIONS

Optional extender bars

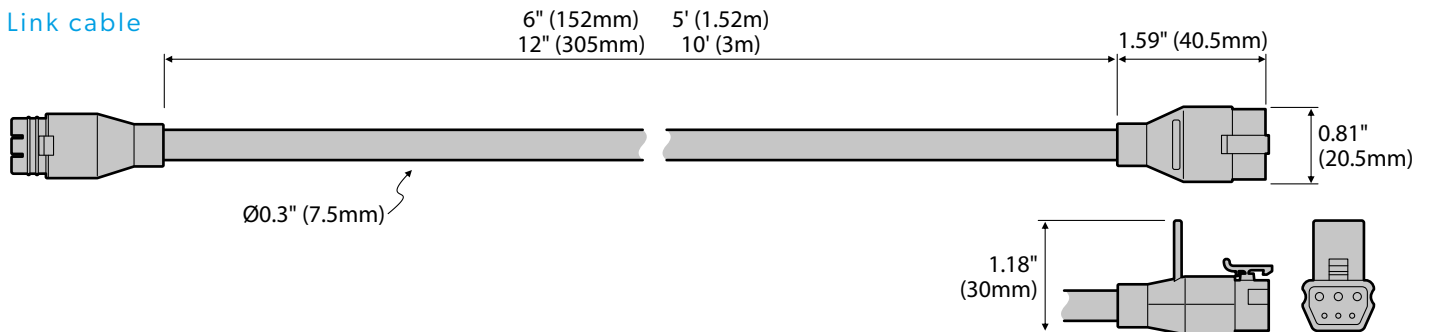


Cables

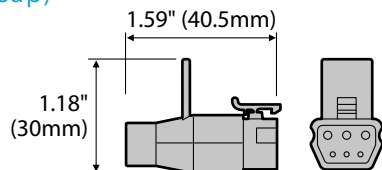
Feed cable



Link cable



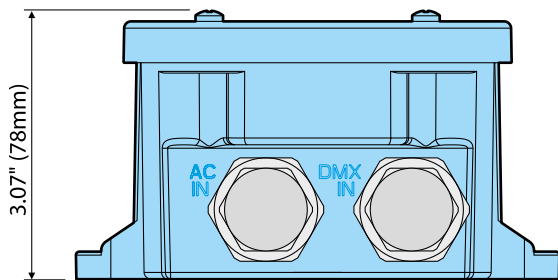
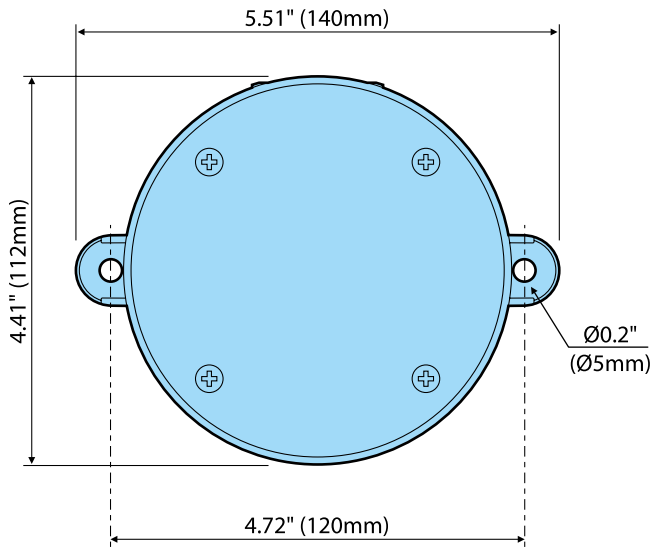
Terminator (end cap)



PROJECT _____ FIRM _____ ORDER # _____ TYPE _____ QTY _____

DIMENSIONS

AJBOX1

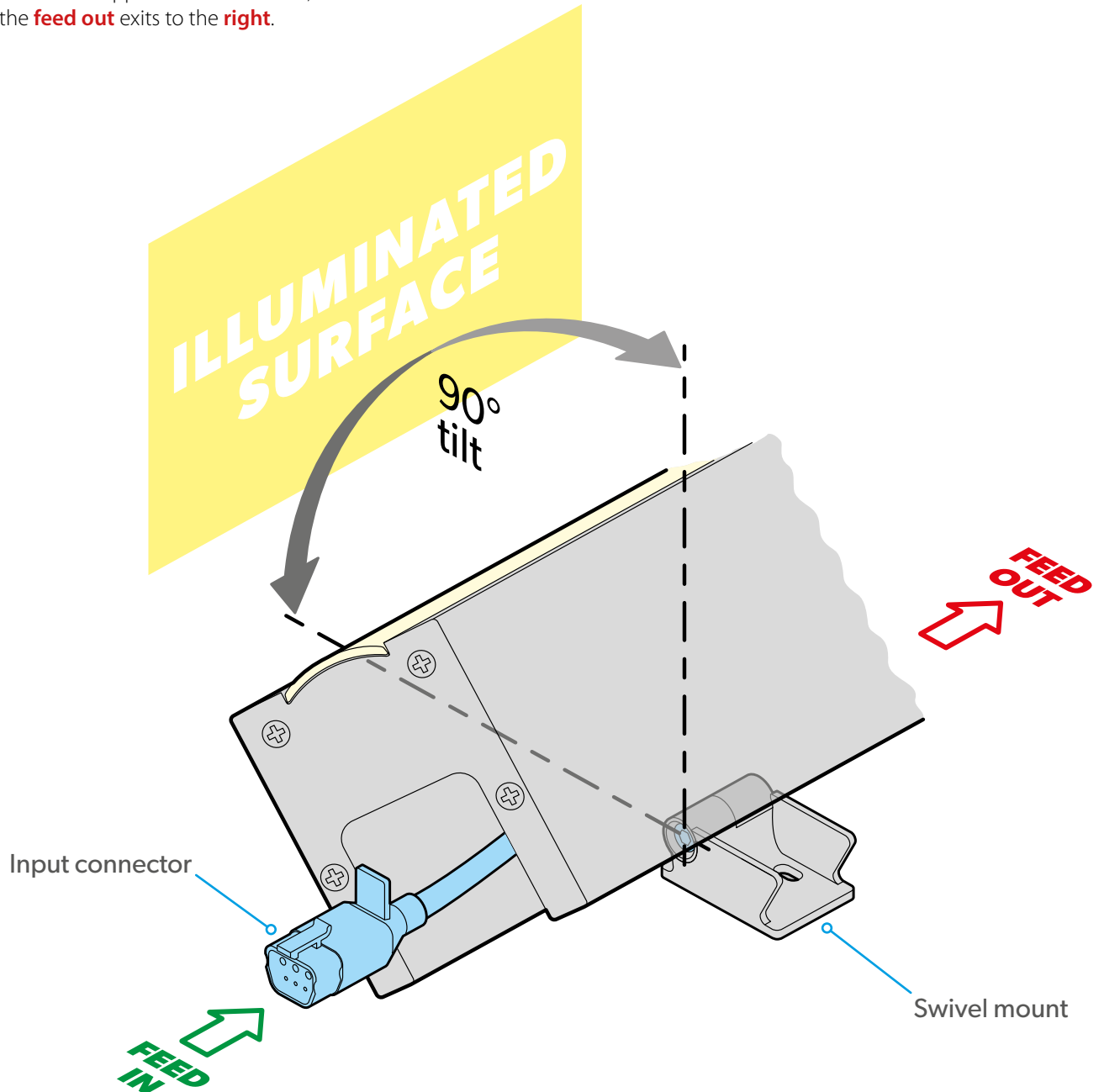


PROJECT	FIRM	ORDER #	TYPE	QTY
---------	------	---------	------	-----

SWIVEL AND FEED DIRECTIONS

The swivel mounts on the fixture offer a full 90 degrees of rotation - in one direction only. When planning installations that require the fixtures to be tilted, it is important to correctly arrange the input and output connections:

- When facing the illuminated surface, the **feed in** must approach from the **left**, while the **feed out** exits to the **right**.



PROJECT: _____ FIRM: _____ ORDER #: _____ TYPE: _____ QTY: _____

UNIQUE ADDRESSING UNDER DMX CONTROL

1' (305mm) Linear One

Emitter options	DMX channels used	Total channels per fixture	Maximum unique fixtures
	▶ Cell 1		
W	1	1	512
DW	2	2	256
RGBW/A	4	4	128

The maximum number of fixtures that can be uniquely addressed in a run is determined by the length, emitter type and operation mode of each linear fixture, as summarized in the tables shown here.

4' (1220mm) Linear One (operating in 'STD' mode)

Emitter options	DMX channels used	Total channels per fixture	Maximum unique fixtures
	▶ All cells combined		
W	1	1	512
DW	2	2	256
RGBW/A	4	4	128

Additionally, any number of fixtures in a run can be configured to use duplicate control addresses, as required.

4' (1220mm) Linear One (operating in 'EXD' mode)

Emitter options	DMX channels used				Total channels per fixture	Maximum unique fixtures
	▶ Cell 1	Cell 2	Cell 3	Cell 4		
W	1	1	1	1	4	128
DW	2	2	2	2	8	64
RGBW/A	4	4	4	4	16	32

IMPORTANT CABLING CONSIDERATIONS

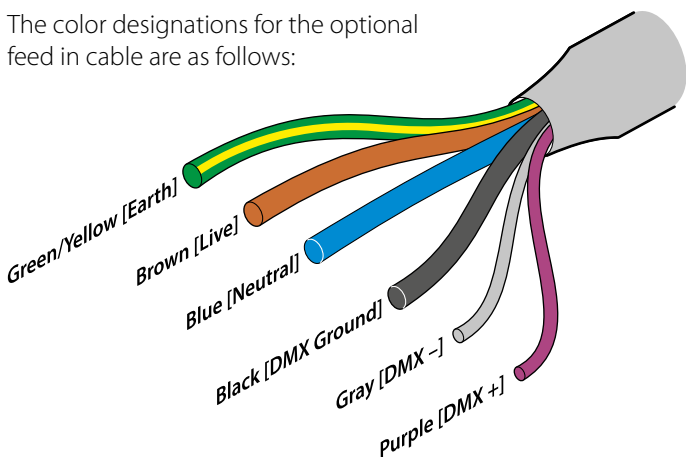
- Wherever possible, cable runs should be positioned to make them beyond normal reach within any installation.
- Additional power cabling: Where power feeds require extra cabling, the power cores should be 14 AWG minimum.
- Additional DMX control cabling: For initial control runs, these are recommended:
 - Indoor exposed or inside conduit above grade:.....Belden 9842
 - Indoor plenum:Belden 82842
 - Outdoor exposed, direct burial, or inside conduit below grade:Belden 3107DB
- Alternatives must meet **all** of the following requirements:
 - **Construction** • **Impedance** • **Capacitance**
 Shielded, twisted Between 90 15pF or less.
 pair (or multi-pair). and 120Ω.
- Please consult and adhere to all relevant local codes.
- The next page provides details about maximum run lengths for Linear One installations. It should be noted that those limits are imposed only by the power characteristics. The length of the DMX control feed to the first fixture must not exceed 1,500' (457m) without buffering.

PROJECT _____ FIRM _____ ORDER # _____ TYPE _____ QTY _____

POWER AND CONTROL WIRING

Power and control are combined within IP66-rated cables. Input and output connectors are proprietary six pin designs; with a male input connector located at one end of the fixture and a female output connector at the other. Connector placements are such that abutted units can be directly connected without need for additional cables.

The color designations for the optional feed in cable are as follows:



Power cores: AWG 18 / 1.02mm²
Signal cores: AWG 26 / 0.13mm²

Power

The fixture power requirements are as follows:

- Voltage: 100-277VAC 50/60Hz
- Power: 1' models: 20W steady state
4' models: 80W steady state

Note: Acclaim recommends taking proper precautions for external surge protection, as control and power electronics can be damaged by major events. Ensure that the mains power is supplied from a suitably protected source and initial connections are made within IP rated enclosures. Acclaim recommends Belden 9842 or approved equivalent for all DMX wiring applications.

For full installation details, please refer to the **user guide**, available for free download here:

RUN LENGTHS

All Linear One DMX fixtures are rated at 20W per linear foot. Maximum run lengths are determined by the supply voltage:

**100VAC
120VAC**

**230VAC
277VAC**

