

PROJECT: _____ FIRM: _____ ORDER #: _____ TYPE: _____ QTY: _____



Terra Linear™ are rugged, drive-over ready fixtures designed for all-weather in-ground applications. Available in 1 foot and 4 foot lengths, these aluminum-bodied IP68 fixtures are particularly suited to recessed façade lighting applications. Using unified power and DMX control links, Terra Linear fixtures can be rapidly daisy-chained in long runs. All standard mains voltages are directly supported or, to achieve impressive single runs up to 700 linear feet (213m), Terra Linear can be driven by Acclaim Lighting's XTR Driver. Anti-slip top coatings, anti-theft security screws and an IK10 drive-over rating of up to 6,000 lbs (2,721 kg) make Terra Linear a natural choice for use in all public areas.

AT A GLANCE

Optics 	Protection Ingress: IP68 Impact: IK10 Vibration: 3G	Emitters Fixed White (2400K, 2700K, 3000K, 3500K or 4000K) or Dynamic White (DW) (2700K to 6000K) or RGBW (W=3000K, 4000K or 6000K)		
Power 100 to 380VDC via XTR Driver 277VAC 50/60Hz	Temperature -40° F to 131° F -40° C to 55° C	Drive over 6,000 lbs 2,721 kg maximum	Output Up to 1,400 lumens per linear foot	Core technologies SPECTRUMFOUR TECHNOLOGY XTRLINK TECHNOLOGY

CONFIGURE YOUR PRODUCT

TL -2 - N Example final code: **TLA-218-DHQN**

Power (/ ft): A = HO 20W B = SO 12W C = EO 5W D = LO 2.5W	Finish: 1 = Black 4 = Aluminum	Louver option: 7 = Internal blade louver* 8 = No louver 9 = Internal honeycomb louver*	Length: A = 1' (305mm) D = 4' (1220mm)	Optics: C = 10° x 10° E = 25° x 25° H = 40° x 40° K = 60° x 60° L = 90° x 90° P = 10° x 35° Q = 30° x 60° R = 10° x 60° T = 60° x 60° + 20° tilt left U = 60° x 60° + 20° tilt right V = Direct view frosted*	Emitters: C = 2400K D = 2700K E = 3000K F = 3500K G = 4000K X = DW (2700K - 6000K) Q = QS (RGBW, W=3000K) R = QW4 (RGBW, W=4000K) S = QW6 (RGBW, W=6000K)
--	---	--	---	---	---





Notes:
 An in-ground sleeve is required for each Terra Linear and are ordered separately
 Optic options T and U: Tilt directions as viewed from the input end of the fixture
 * The internal louver options can reduce the output by up to 40%
 The internal louver option is not compatible with the direct view frosted optic

SCAN FOR PRODUCT PAGE

acclaimlighting.com

PROJECT	FIRM	ORDER #	TYPE	QTY
---------	------	---------	------	-----

SPECIFICATIONS

Emitters	2400, 2700K, 3000K, 3500K, 4000K, DW (2700K-6000K), QS (W=3000K), QW4 (W=4000K) or QW6 (W=6000K)
Optics	10° x 10°, 25° x 25°, 40° x 40°, 60° x 60°, 10° x 35°, 10° x 60°, 30° x 60° or Asymmetric wall wash (60° x 60° + 20° tilt)
Output	Up to 1400 lumens (white versions), up to 700 lumens (color versions)
Lumen maintenance	L ₇₀ 150,000 hours (@ 25° C)
Control	0-100% dimming via wired DMX (with RDM configuration). 0-10V and DALI via XTR Driver
Maximum fixtures in series	See page 9
Housing lengths	1' (305mm) or 4' (1220mm). In-ground sleeve with pour cover required (ordered separately)
Operating voltage	100-277VAC, 50/60Hz direct or 380VDC via XTR Driver 4000/8000 (200-300VAC input to XTR Driver)
Power consumption	HO: 1': 20W 4': 80W, SO: 1': 12W 4': 48W, EO: 1': 5W 4': 20W, LO: 1': 2.5W 4': 10W
Connection	Composite integral input and output cables [18" (46 cm) lengths] with IP68 multi-pin connectors
Mounting	In-ground sleeve required (ordered separately). Includes pour cover and knock-outs for 2" conduit
Material	Type III hard coat anodized aluminum, marine and natatorium environment ready
Finish	Finished aluminum. Anti-slip lens coatings
Ambient temperature range	-40° F to 131° F (-40° C to 55° C)
Ingress protection	IP68, wet location and temporary submersion for up to 1 hour at 3.28' (1m)
Impact protection	IK10, protection against 20 joule impact (40cm distance)
Vibration protection	ANSI C136.31, 3G-rated for high vibration and bridge applications
Drive over rating	Walk- and drive-over rated up to 6,000 lbs (2,721kg)
Warranty	5 years, limited
Weight	1': 4 lbs (1.81 kg) 4': 16 lbs (7.25 kg)
Dimensions	LxWxH: 12 or 48" x 4.52" x 3.07" (305 or 1220 x 115 x 78mm) - see page 5
Certifications	    (ETL Listing conforms to UL 1598 : 2021 Ed. 5 standards)

PHOTOMETRICS

For all available IES files, please visit acclaimlighting.com/terra-linear

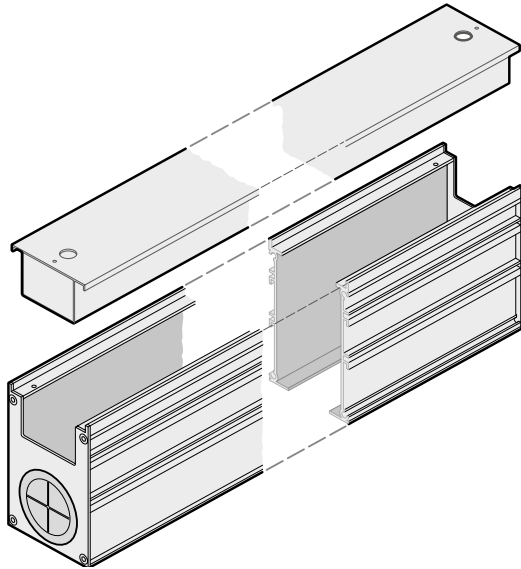
Color or color temperature	Lumens (per ft)	Max Candela	Efficacy (l/w)	CRI (Ra)	TM30
3000K (HO, 1ft, 10°)	1,021	13,786	53	81.3	82.7
3500K (HO, 1ft, 10°)	857	11,920	43	81.4	83.3
4000K (HO, 1ft, 10°)	1,322	14,522	65	80.6	82.4

PROJECT _____ FIRM _____ ORDER # _____ TYPE _____ QTY _____

RELATED COMPONENTS

Mounting accessories (one required per fixture)

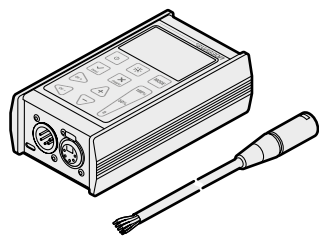
In-ground sleeve plus removable pour cover



1' **TLAIGS1**
4' **TLAIGS4**

Configuration tool

DMX/RDM control accessory



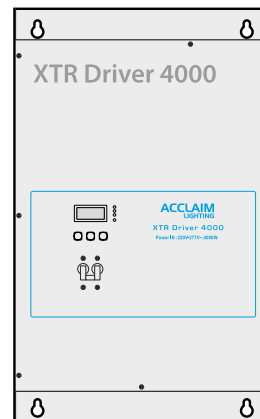
Part # **XMT350**
DMX + RDM Addressing and Testing Tool

XTR Drivers (optional for extended run lengths)

- Power input: 200 to 300VAC
- Control input: DMX/RDM, 0-10V sink or DALI
- Use optional XTR Driver adapter cable(s)

XTR Driver 4000

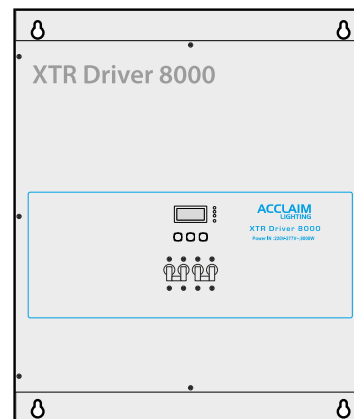
- Up to 4000W power consumption
- Maximum of 1x 700' Terra Linear run*
- Requires TLAXTRC1 adapter cable per output



Part # **XTR Driver 4000**

XTR Driver 8000

- Up to 8000W power consumption
- Maximum of 2x 700' Terra Linear runs*
- Requires TLAXTRC1 adapter cable per output



Part # **XTR Driver 8000**

** All fixtures controlled within a single DMX universe*

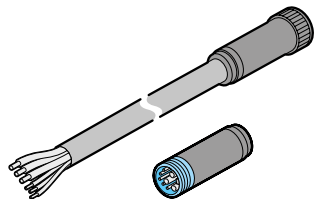


PROJECT _____ FIRM _____ ORDER # _____ TYPE _____ QTY _____

RELATED COMPONENTS

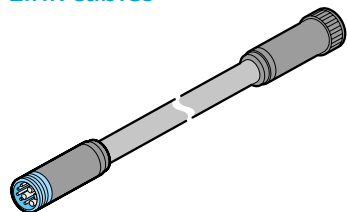
Cables

Feed cables (inc terminator)



10' (3m) **TLAFC10**
50' (15.2m) **TLAFC50**

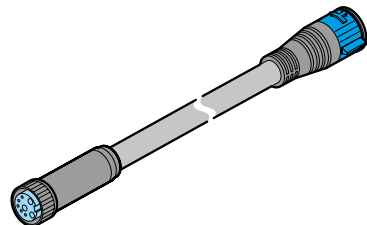
Link cables



1' (30cm) **TLALC1**
5' (1.5m) **TLALC5**
10' (3m) **TLALC10**

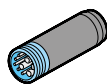
XTR Driver adapter cable

Allows a Terra Linear link cable to be connected to an XTR Driver output. See page 10.



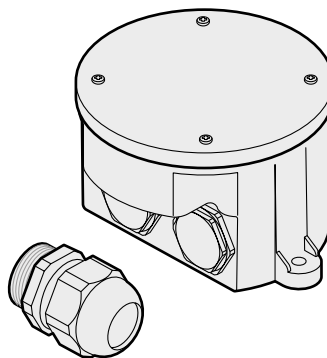
XTR Driver adapter **TLAXTRC1**

Terminator (end cap)



Terminator **TLATEC**

IP66 junction box (plus outlet cable gland)



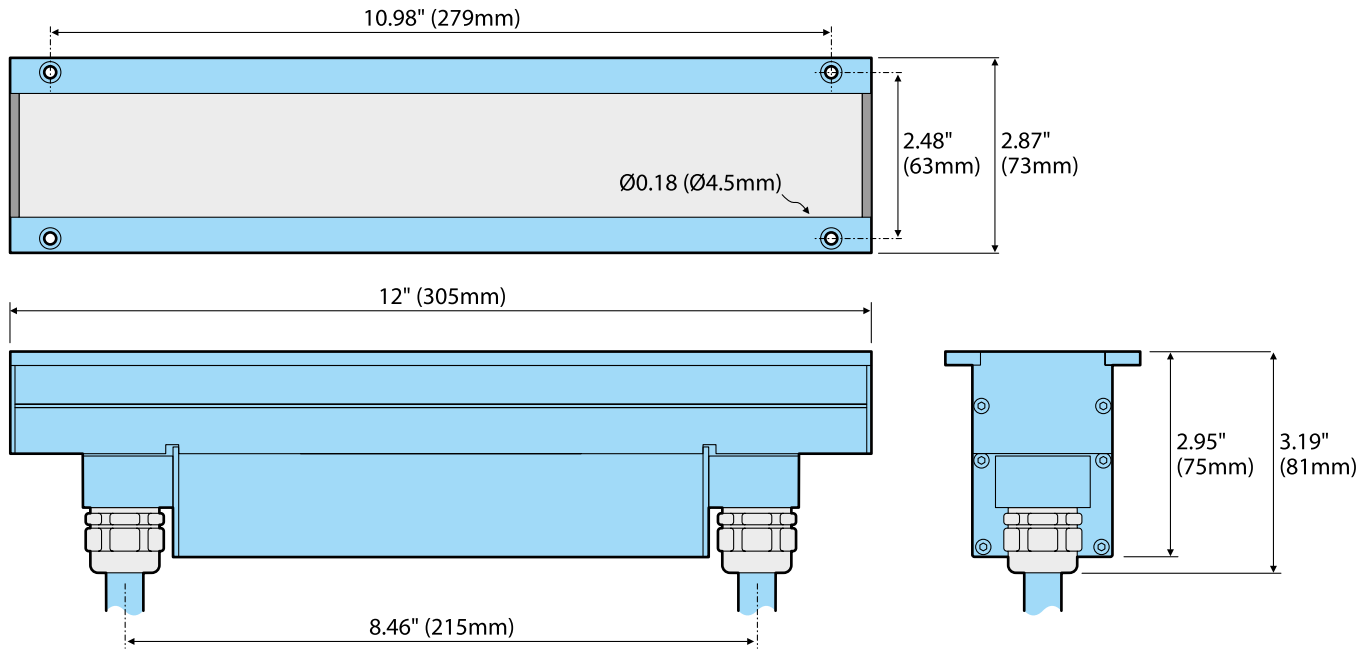
Part # **AJBOX1**
IP66 NEC compliant high+low voltage junction box
1/2" conduit inputs for AC + DMX, 3/4" conduit for TLAFC#
Built-in AC surge protection up to 10kV & 10kA
Suitable for 120-277VAC runs. Not certified for use with XTR Drivers



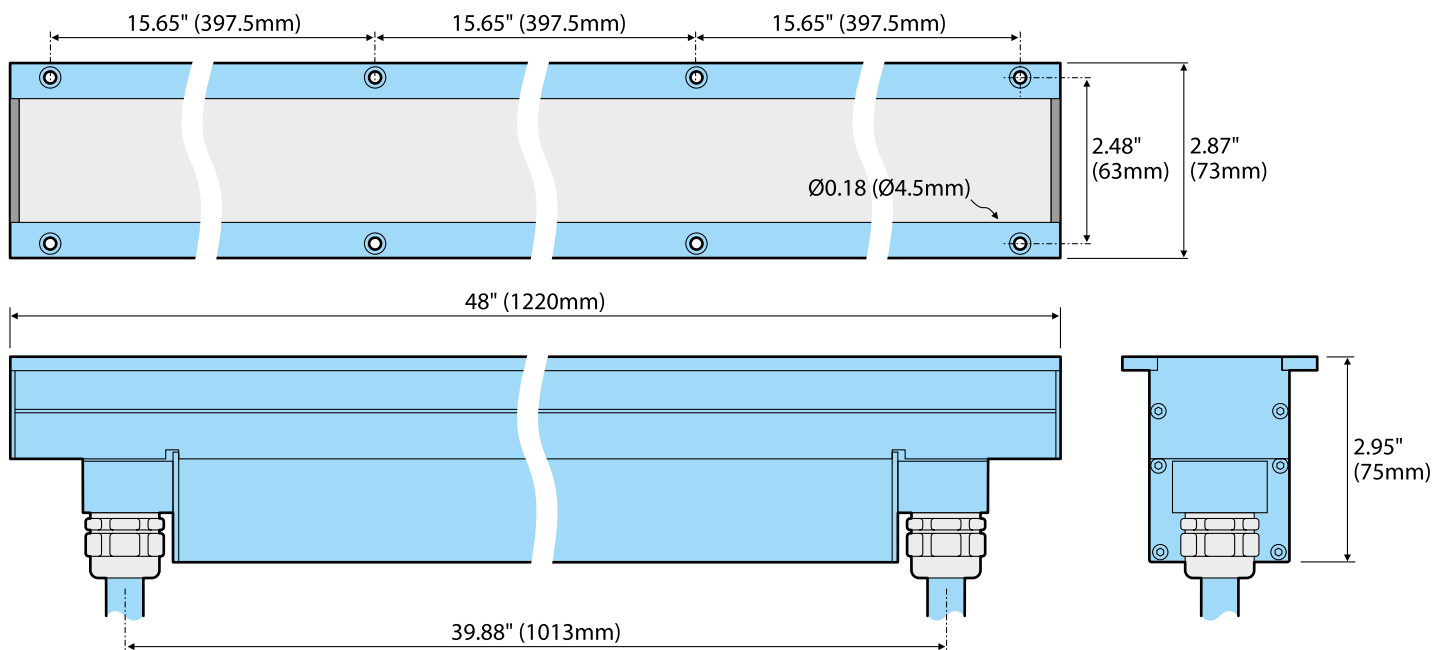
PROJECT: _____ FIRM: _____ ORDER #: _____ TYPE: _____ QTY: _____

DIMENSIONS

Terra Linear 1ft (305mm)



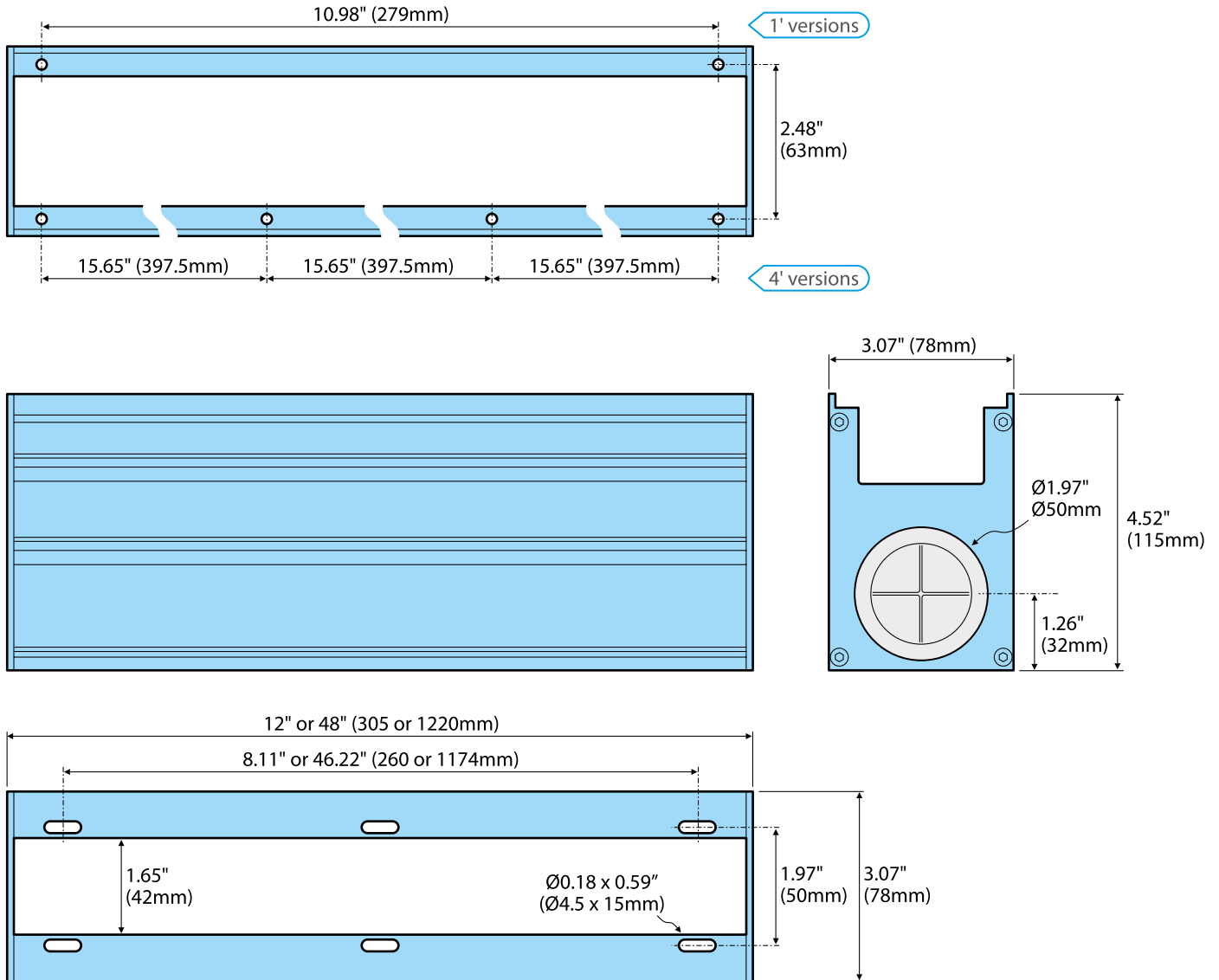
Terra Linear 4ft (1220mm)



PROJECT _____ FIRM _____ ORDER # _____ TYPE _____ QTY _____

DIMENSIONS

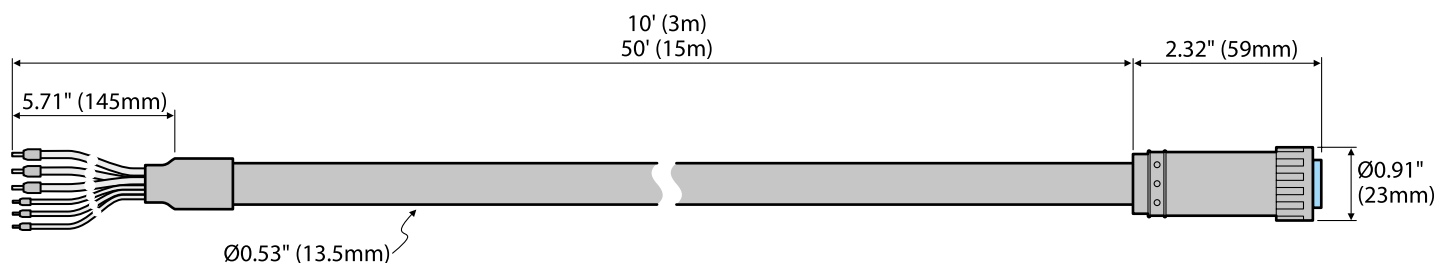
In-ground sleeve 1ft and 4ft (305 and 1220mm)



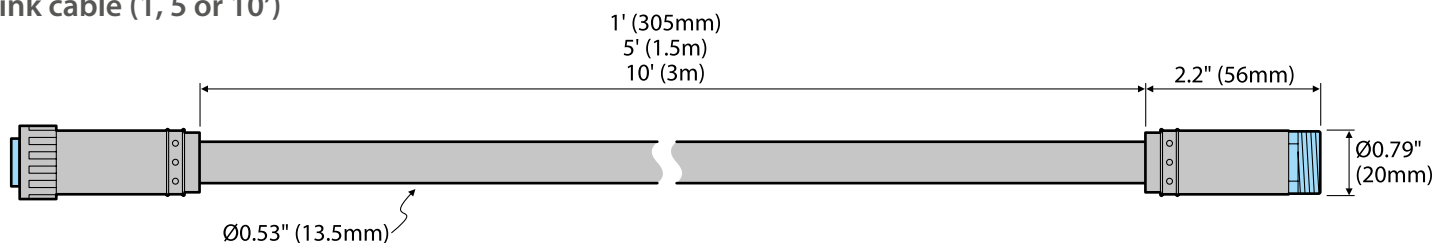
PROJECT FIRM ORDER# TYPE QTY

DIMENSIONS

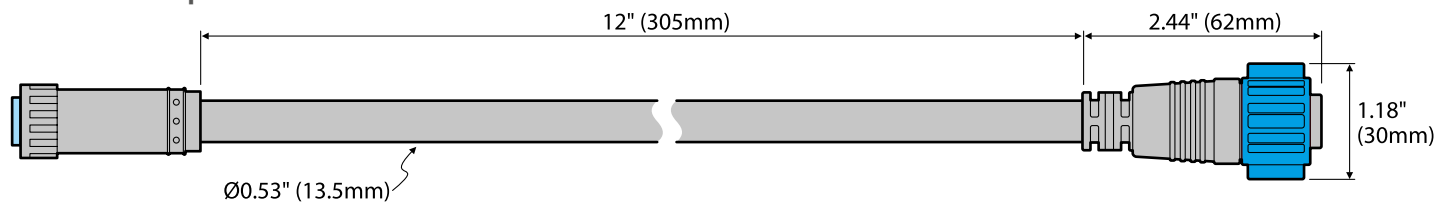
Feed cable (10 or 50')



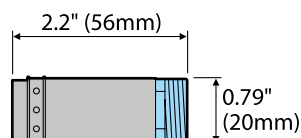
Link cable (1, 5 or 10')



XTR Driver adapter cable



Terminator (end cap)



PROJECT

FIRM

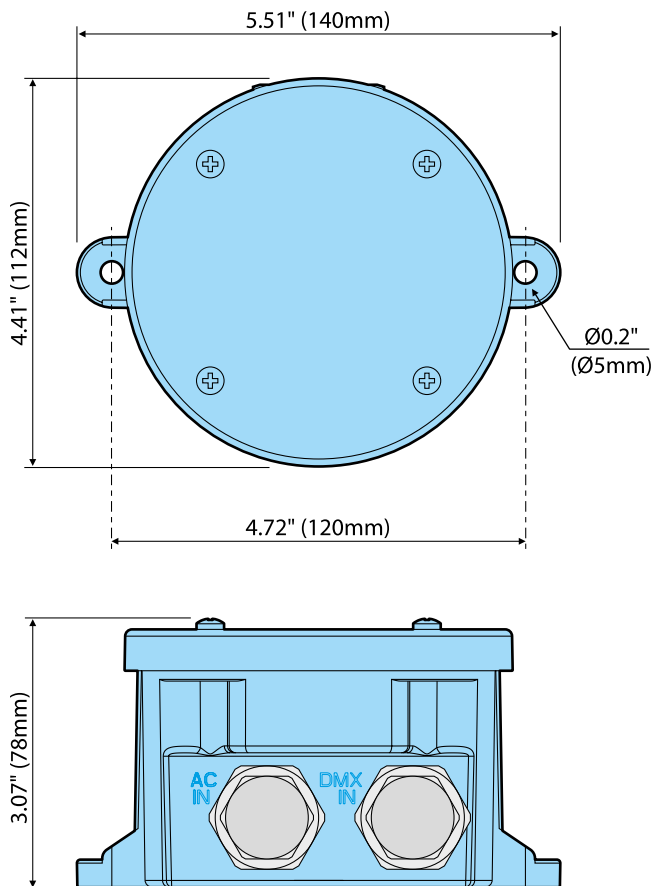
ORDER #

TYPE

QTY

DIMENSIONS

AJBOX1



PROJECT _____ FIRM _____ ORDER # _____ TYPE _____ QTY _____

UNIQUE ADDRESSING UNDER DMX CONTROL

1' (305mm) Terra Linear

Emitter options	DMX channels used				Total channels per fixture	Maximum unique fixtures
	▶ Cell 1					
W	1				1	512
DW	2				2	256
RGBW	4				4	128

The maximum number of fixtures that can be uniquely addressed in a run is determined by the length, emitter type and operation mode of each linear fixture, as summarized in the tables shown here.

4' (1220mm) Terra Linear (operating in '1 Group' mode)

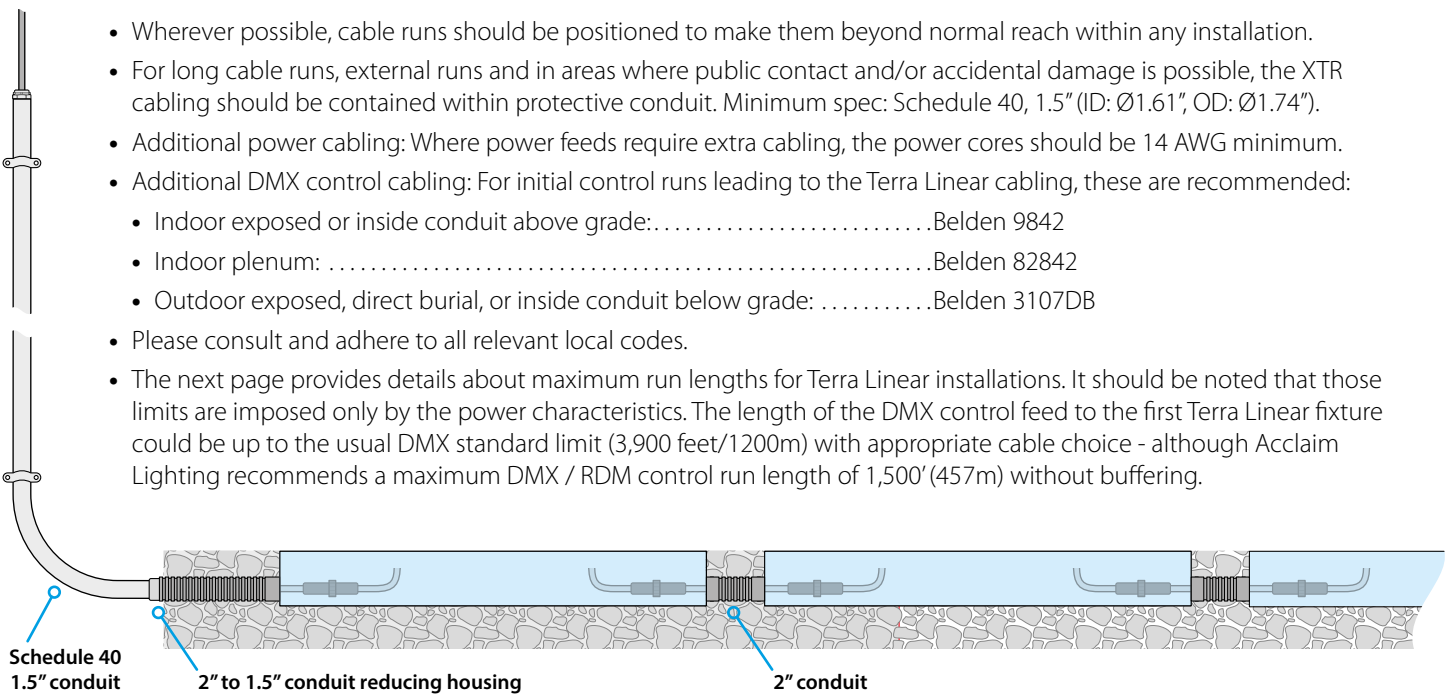
Emitter options	DMX channels used				Total channels per fixture	Maximum unique fixtures
	▶ All cells combined					
W	1				1	512
DW	2				2	256
RGBW	4				4	128

Additionally, any number of fixtures in a run can be configured to use duplicate control addresses, as required.

4' (1220mm) Terra Linear (operating in '4 Group' mode)

Emitter options	DMX channels used				Total channels per fixture	Maximum unique fixtures
	▶ Cell 1	Cell 2	Cell 3	Cell 4		
W	1	1	1	1	4	128
DW	2	2	2	2	8	64
RGBW	4	4	4	4	16	32

IMPORTANT CABLING CONSIDERATIONS



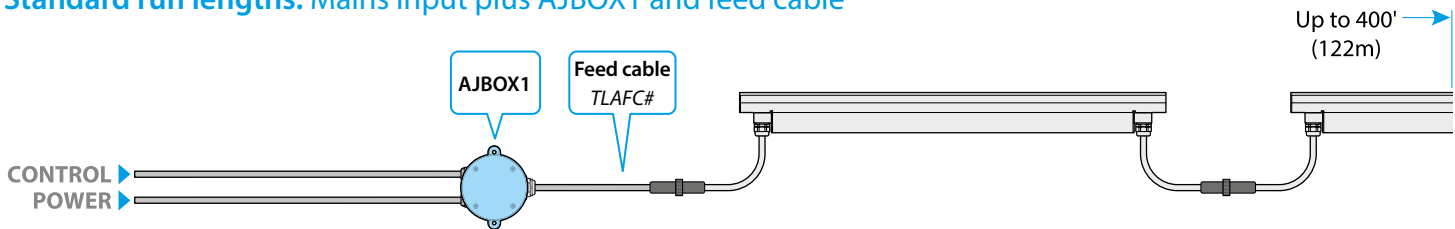
- Wherever possible, cable runs should be positioned to make them beyond normal reach within any installation.
- For long cable runs, external runs and in areas where public contact and/or accidental damage is possible, the XTR cabling should be contained within protective conduit. Minimum spec: Schedule 40, 1.5" (ID: Ø1.61", OD: Ø1.74").
- Additional power cabling: Where power feeds require extra cabling, the power cores should be 14 AWG minimum.
- Additional DMX control cabling: For initial control runs leading to the Terra Linear cabling, these are recommended:
 - Indoor exposed or inside conduit above grade:Belden 9842
 - Indoor plenum:Belden 82842
 - Outdoor exposed, direct burial, or inside conduit below grade:Belden 3107DB
- Please consult and adhere to all relevant local codes.
- The next page provides details about maximum run lengths for Terra Linear installations. It should be noted that those limits are imposed only by the power characteristics. The length of the DMX control feed to the first Terra Linear fixture could be up to the usual DMX standard limit (3,900 feet/1200m) with appropriate cable choice - although Acclaim Lighting recommends a maximum DMX / RDM control run length of 1,500' (457m) without buffering.

PROJECT: _____ FIRM: _____ ORDER #: _____ TYPE: _____ QTY: _____

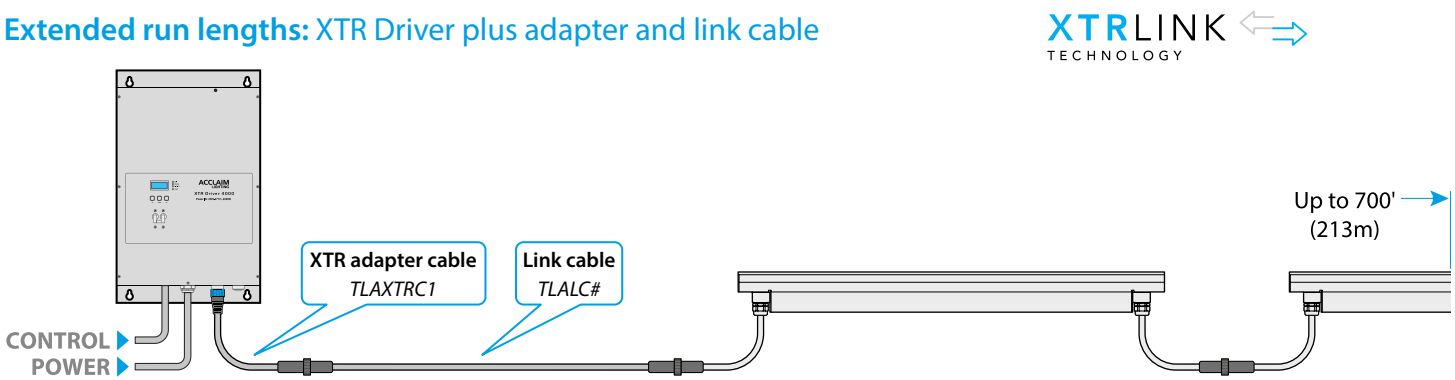
POWER AND CONTROL WIRING

Terra Linear can be fed directly from a suitably protected mains supply (100 to 277VAC 50/60Hz) to provide standard run lengths up to 400' (122m). Alternatively, an Acclaim Lighting XTR Driver can create an increased supply voltage to allow continuous runs up to 700' (213m). *Note: Terra Linear fixtures can use either power method without any reconfiguration; voltage levels are automatically detected.*

Standard run lengths: Mains input plus AJBOX1 and feed cable



Extended run lengths: XTR Driver plus adapter and link cable



RUN LENGTHS

Maximum length of fixtures in a single run

(all fixtures controlled within a single DMX universe)

	Power draw	100/120VAC supply	230/277VAC supply	XTR Driver 4000	XTR Driver 8000
LO / EO	2.5 or 5W per foot	200' (61m)	400' (122m)	700' (213m)	2x 700' (213m)
SO	12W per foot	100' (30.5m)	200' (61m)	300' (91.5m)	2x 300' (91.5m)
HO	20W per foot	50' (15m)	100' (30.5m)	150' (45m)	2x 150' (45m)

Maximum overall length of a single run (fixtures + all cabling)

(all fixtures controlled within a single DMX universe)

	100/120VAC supply	230/277VAC supply	XTR Driver 4000	XTR Driver 8000
All models	200' (61m)	400' (122m)	800' (243m)	2x 800' (243m)

For full installation details, please refer to the **user guide**, available for free download here: