



Client: _____

Project: _____

Type: _____

Order Code: _____

Quantity: _____

Flex Tube DW is a flexible, dynamic white, outdoor LED strip with the ability to create multiple CCTs of dedicated white with a single fixture. It comes in a seven-meter spool or custom-built lengths to suit project requirements and features a highly durable second-generation silicone body, which is outdoor rated, high impact resistant and 3G vibration rated.

SPECIFICATIONS

Colors	Dynamic White: 2200K - 5700K
Beam Angle	120°
Photometrics	Up to 199 lumens per foot, see page 4 for details
Strip Length	Built to order lengths from 6.56" (166.6mm) to 22.96' (7M), section length is 3.28" (83.34mm)
Dimming & Channel Count	DMX/RDM (0-100%) or DALI (0-100%) via AL Driver Series, 2 channels per section
Bend Directions & Radius	Vertical bending or horizontal bending options, minimum bend radius of 5.9" (150mm)
Power Consumption	3.65W per foot, 12W per meter
Operating Voltage	24VDC
Lumen Maintenance	L70 @ 50,000 hours (25° C)
Mounting	Aluminum mounting channel required, 0.78" (20mm), 11.8' (1m), or 6.56' (2m) lengths
Finish	White
Material	UV resistant silicone
Ambient Operating Temperature	-40° F to 131° F (-40° C to 55° C)
IP Rating	IP68, wet location, submersible* up to 6.56' (2M)
IK Rating	IK08, protection against 5 joule impact
Fixture Connectors	16.4' (5M) injection molded feed cable and end cap included
Warranty	5 Years, limited
Weight	5.73 lbs (2.59 kg) - 7M Spool
Dimensions	L: As specified W: 0.62" H: 0.66" / L: As specified W: 16mm H: 17mm

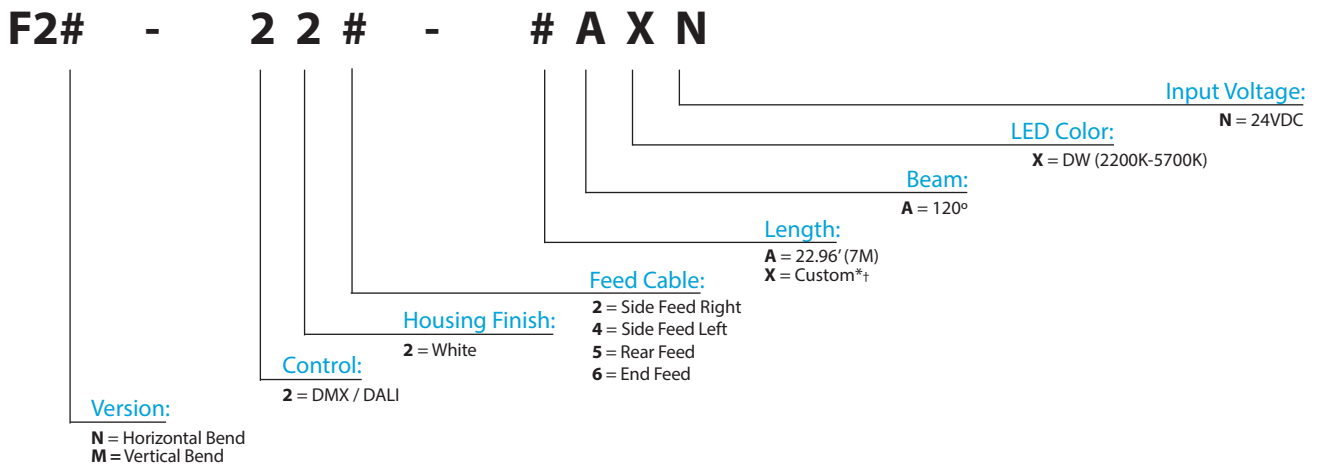
Certifications



*UL approval limits submersible installation to non-human occupied and freshwater locations only. All cables must be landed in environmentally suitable junction boxes.

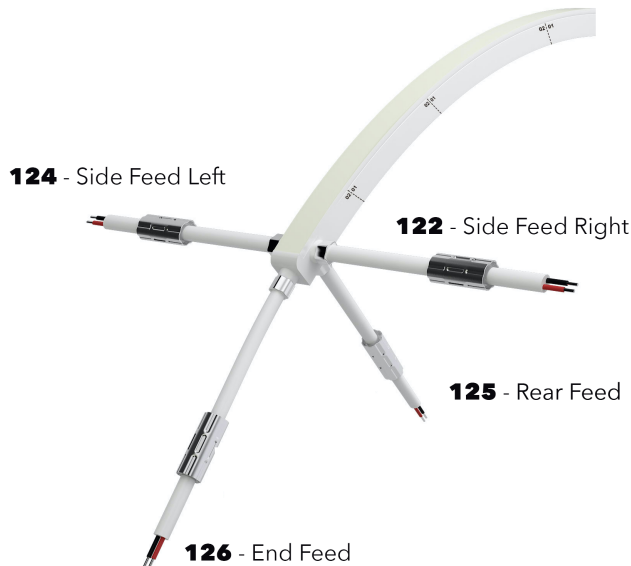
ORDER CODES

* indicates special order

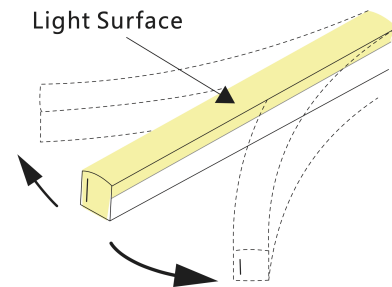


†: When ordering custom lengths, please specify number of 3.28" (83.34mm) sections required after X (6.56" / 166.6mm Min, 22.96', 7M Max).
Example order code: **F2N-225-X40AQN = 83.34mm x 40 / 3.32m spool**

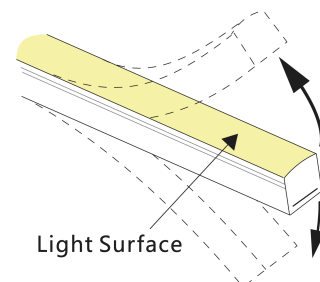
FEED CABLE LOCATIONS



HORIZONTAL BEND



VERTICAL BEND



WIRE CABLE LIMIT

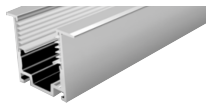
	Conductors	Max Amperage	Max feet to tube
18 AWG	3	4	40
14 AWG	3	4	100
12 AWG	3	4	170

RELATED COMPONENTS

Mounting Accessories



F2CH20
20mm (0.78") Gen 2 mounting channel
Aluminum profile, includes 2 screws



F2RCH20
20mm (0.78") Gen 2 recessed mounting channel
Aluminum profile, includes 2 screws



F2FCH500
0.5M (1.64') Gen 2 flexible mounting channel
Only for HB versions, includes 2 screws

F2CH1000
1M (3.28') Gen 2 mounting channel
Aluminum profile, includes 5 screws

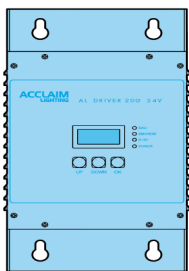
F2RCH1000
1M (3.28') Gen 2 recessed mounting channel
Aluminum profile, includes 5 screws

F2FCH1000
1M (3.28') Gen 2 flexible mounting channel
Only for HB versions, includes 5 screws

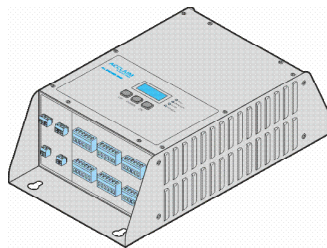
F2CH2000
2M (6.56') Gen 2 mounting channel
Aluminum profile, includes 10 screws

F2RCH2000
2M (6.56') Gen 2 recessed mounting channel
Aluminum profile, includes 10 screws

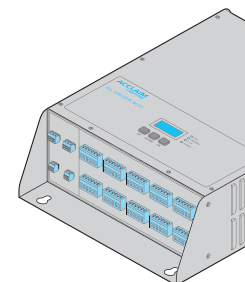
DMX Multi Protocol Drivers AL Driver 200/400/800



ALD-200-24 C2
AL Driver 200 24V, 2 spools max
200W 24V Class 2 power supply
DMX, 0-10V (sink & source) & DALI driver
4 output ports, 100-277VAC input



ALD-400-24 C2
AL Driver 400 24V, 4 spools max
400W 24V Class 2 power supply
DMX, 0-10V (sink & source) & DALI driver
6 output ports, 100-277VAC input

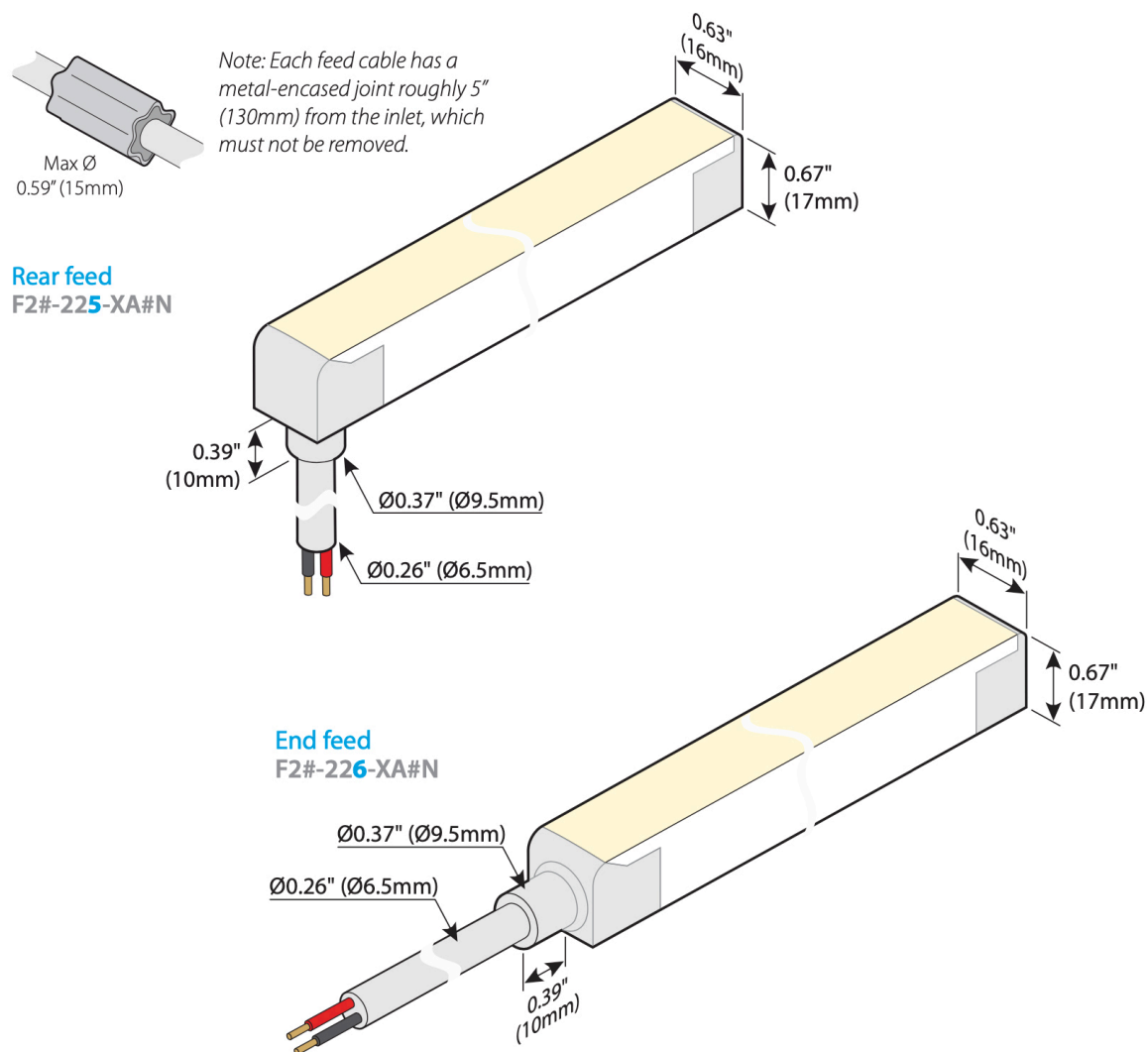


ALD-800-24 C2
AL Driver 800 24V, 8 spools max
800W 24V Class 2 power supply
DMX, 0-10V (sink & source) & DALI driver
10 output ports, 100-277VAC input

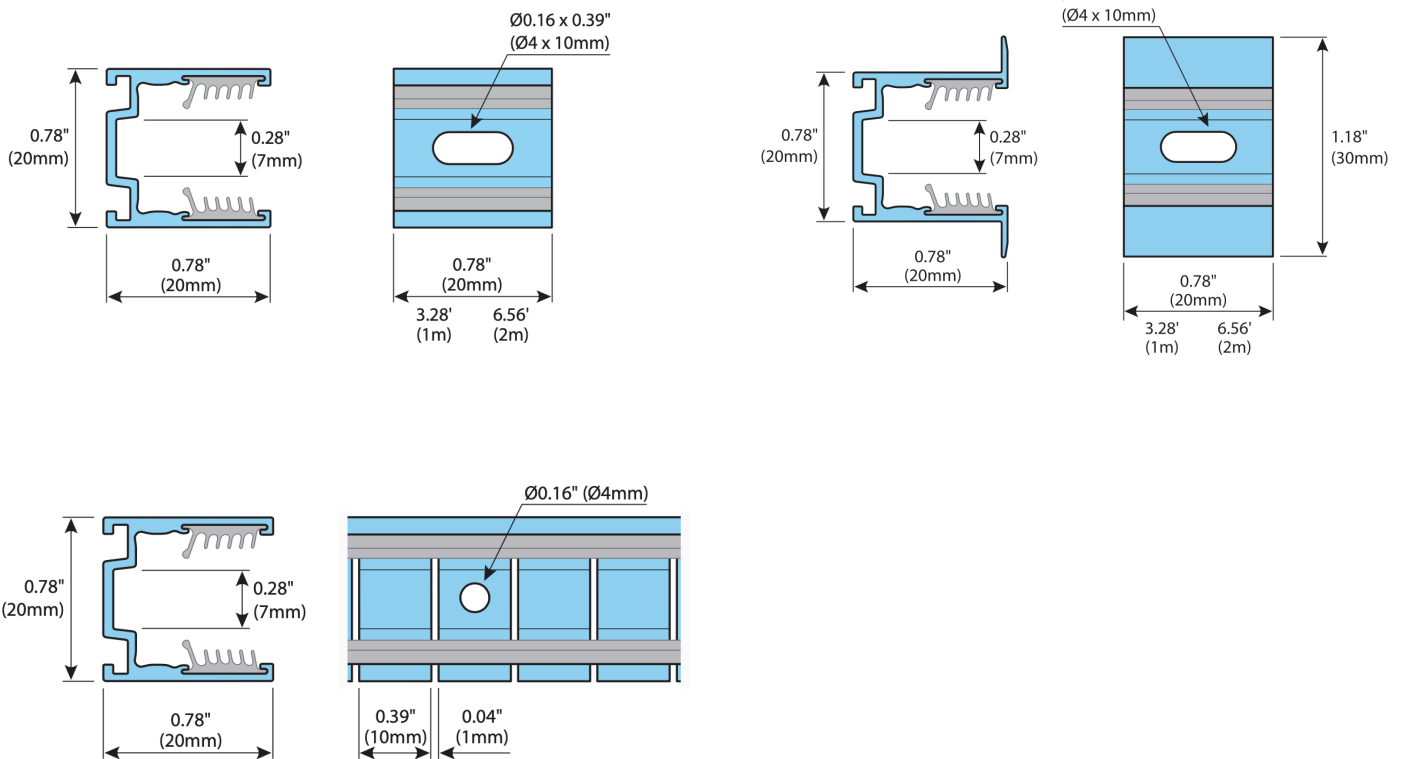
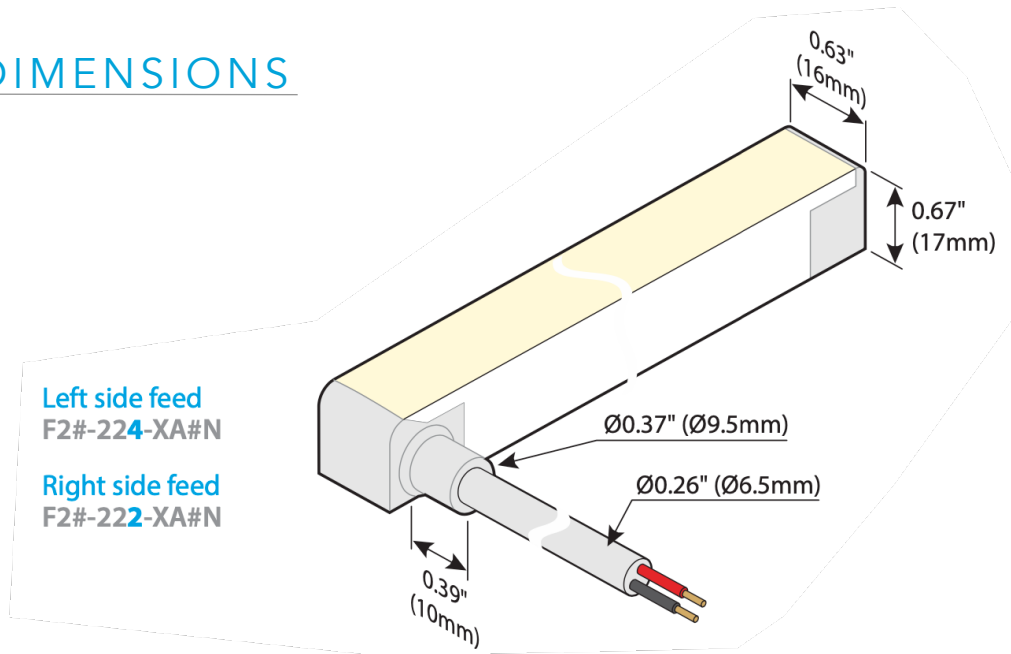
PHOTOMETRICS

Bend / Color	Lumens (per foot)	Max Candela	CRI	TM30
HB DW	167	53.2	88	86.5
VB DW	199	64.3	87.8	86.3

DIMENSIONS



DIMENSIONS



Note: The Ø0.16" (4mm) mounting holes are spaced at 4.57" (116mm) - on every tenth segment.