

PROJECT: \_\_\_\_\_ FIRM: \_\_\_\_\_ ORDER #: \_\_\_\_\_ TYPE: \_\_\_\_\_ QTY: \_\_\_\_\_



**Linear XTR™** fixtures are precision engineered to deliver long runs of all-weather linear illumination. When powered by standard mains (100 to 277VAC) they can achieve daisy-chained runs of up to 400 feet (121m). However, when supplied by an optional XTR Driver, the maximum length of a single daisy-chained run can be raised to an impressive 700 feet (213m). Available in both 1' and 4' lengths, there are numerous emitter color and power options together with an extensive range of lens choices. Optional glare shields and louvers allow the light output to be further refined to suit the scene. Control is achieved using the industry standard DMX-512A format, with RDM for configuration. DALI and 0-10V control inputs can also be used when XTR Drivers or optional converters are employed.

## AT A GLANCE

### Optics

- 10° x 10°
- 10° x 35°
- 10° x 60°
- 25° x 25°
- 30° x 10°
- 30° x 60°
- 40° x 40°
- 60° x 60°
- 60° x 10°
- 60° x 30°
- 90° x 10°

### Emitters

- Fixed White** (2700K, 3000K, 3500K or 4000K)
- Dynamic White (DW)** (2400K to 5500K)
- RGBW** (W=3000K, 4000K or 6000K)
- RGBA**

### Power

100 to 277VAC  
50/60Hz

380VDC  
via XTR Driver

### Temperature

-40° F to 131° F  
-40° C to 55° C

### Protection

Ingress: **IP66**  
Impact: **IK10**  
Vibration: **3G**

### Output

Up to **864 lumens**  
per linear foot

### Core technology

**XTRLINK** TECHNOLOGY  
**SPECTRUMFOUR** TECHNOLOGY

## CONFIGURE YOUR PRODUCT

**XT -2 1- N** Example final code: **XTA-241-DHEN**

**Power (/ ft):**  
A = SO 12W  
C = EO 5W  
L = LO 2.5W

**Finish:**  
1 = Black\* (RAL 9005)  
2 = White\* (RAL 9003)  
4 = Aluminum  
7 = Custom\* (RAL #)

**Length:**  
A = 1' (305mm)  
D = 4' (1220mm)

**Optics:**  
C = 10° x 10°  
F = 25° x 25°  
H = 40° x 40°  
I = 30° x 10°  
J = 60° x 10°  
K = 60° x 60°  
L = 100° x 100°  
U = 10° x 35°  
R = 10° x 60°  
Q = 30° x 60°  
Y = 60° x 30°  
Z = 90° x 10°  
T = 60° x 60° + 20° tilt

**Emitters:**  
D = 2700K\*  
E = 3000K  
F = 3500K\*  
G = 4000K  
X = DW (2400K - 5500K)\*  
Q = QS (RGBW, W=3000K)  
R = QW4 (RGBW, W=4000K)  
S = QW6 (RGBW, W=6000K)  
U = RGBW, W=3000K  
V = RGBW, W=4000K  
W = RGBW, W=6000K\*  
T = RGBA\*

\* indicates special order items, which may require longer lead times

SCAN FOR PRODUCT PAGE

acclaimlighting.com

PROJECT	FIRM	ORDER #	TYPE	QTY
---------	------	---------	------	-----

## SPECIFICATIONS

<b>Emitters</b>	2700K, 3000K, 3500K, 4000K, DW (2400K-5500K), RGBW (W=3000K, 4000K or 6000K), Quad-color (Spectrum 4) RGBW (W=3000K, 4000K or 6000K) or RGBA
<b>Optics</b>	10° x 10°, 25° x 25°, 40° x 40°, 30° x 10°, 60° x 10°, 60° x 60°, 100° x 100°, 10° x 35°, 10° x 60°, 30° x 60°, 60° x 30°, 90° x 10° or Asymmetric wall wash (60° x 60° + 20° tilt)
<b>Output</b>	<b>SO:</b> up to 864 l/ft (white), <b>EO:</b> up to 449 l/ft (white), <b>LO:</b> up to 89 l/ft (white)
<b>Lumen maintenance</b>	L <sub>70</sub> 150,000 hours (@ 25° C)
<b>Control</b>	0-100% dimming via wired DMX (with RDM configuration). 0-10V and DALI via XTR Driver
<b>Maximum fixtures in series</b>	Up to 700' (213m) via XTR Driver 4000 /8000 (See page 9)
<b>Housing lengths</b>	1' (305mm) or 4' (1220mm)
<b>Operating voltage</b>	100-277VAC, 50/60Hz direct or 380VDC via XTR Driver 4000/8000 (200-300VAC input to XTR Driver)
<b>Power consumption</b>	<b>SO:</b> 1': 12W 4': 48W, <b>EO:</b> 1': 5W 4': 20W, <b>LO:</b> 1': 2.5W 4': 10W
<b>Connection</b>	Composite IP68-rated input and output connectors. All cables are NEC compliant
<b>Mounting</b>	Two built-in ratcheted (tool-free) swivel mount brackets
<b>Material</b>	Aluminum body with PMMA top lens
<b>Finish</b>	Finished aluminum, black (RAL 9005), white (RAL 9003) or custom colors (provide RAL #) Optional marine coating available
<b>Ambient temperature range</b>	-40° F to 131° F (-40° C to 55° C)
<b>Ingress protection</b>	IP66, wet location
<b>Impact protection</b>	IK10, protection against 20 joule impact (40cm distance)
<b>Vibration protection</b>	ANSI C136.31, 3G-rated for high vibration and bridge applications
<b>Warranty</b>	5 years, limited
<b>Weight</b>	<b>1':</b> 2.2 lbs (0.99 kg) <b>4':</b> 8.9 lbs (4.03 kg)
<b>Dimensions</b>	<b>LxWxH:</b> 12 or 48" x 1.77" x 2.51" (305 or 1220 x 45 x 64mm) - see page 5

### Certifications



## PHOTOMETRICS

For all available IES files, please visit [acclaimlighting.com/linear-xtr](http://acclaimlighting.com/linear-xtr)

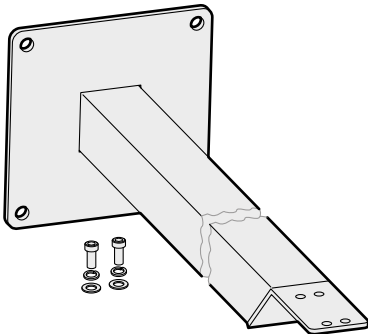
Color or color temperature	Lumens (/ft)	Max Candela	Efficacy (lm/W)	CRI (Ra)	TM30
3000K (SO, 1ft, 10° x 60°)	732	2,018	61	84.2	85.1
4000K (SO, 1ft, 10° x 60°)	864	2,528	71	81.6	83.7
RGBW (SO, 1ft, 10° x 60°)	419	1,264	32	80.5	83.2
DW (SO, 1ft, 10° x 60°)	617	4,056	45	75	77
3000K (EO, 1ft, 10° x 60°)	359	1,009	80	84.4	85.0
4000K (EO, 1ft, 10° x 60°)	449	1,451	76	81.8	84.3
RGBW (EO, 1ft, 10° x 60°)	192	840	32	80.5	83.2
DW (EO, 1ft, 10° x 10°)	210	2,057	42	75	76

PROJECT  FIRM  ORDER #  TYPE  QTY

## RELATED COMPONENTS

### Optional mounting accessories

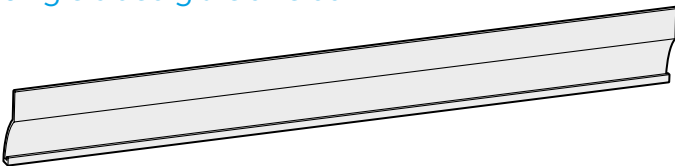
#### Extender bars



- 6" XTREB05
- 1' XTREB1
- 2' XTREB2
- 3' XTREB3

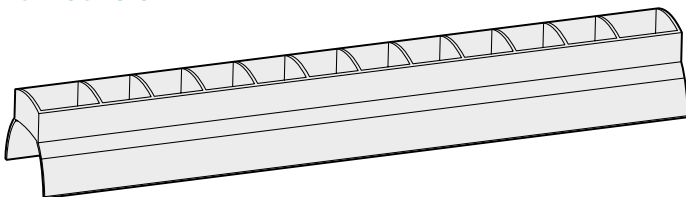
### Optional beam accessories

#### Single-sided glare shields



- 1' XTRGS1
- 4' XTRGS4

#### Full louvers



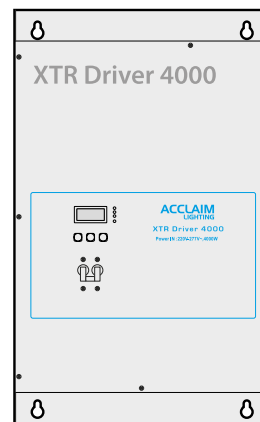
- 1' XTRLV1
- 4' XTRLV4

### XTR Drivers (optional for extended run lengths)

- Power input: 200 to 300VAC
- Control input: DMX/RDM, 0-10V sink or DALI

#### XTR Driver 4000

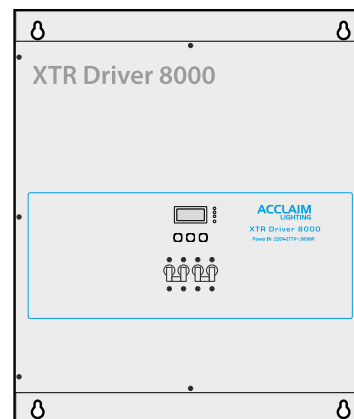
- Up to 4000W power consumption
- Maximum of 1x 700' Linear XTR run\*



Part # **XTR Driver 4000**

#### XTR Driver 8000

- Up to 8000W power consumption
- Maximum of 2x 700' Linear XTR runs\*



Part # **XTR Driver 8000**

*\* All fixtures controlled within a single DMX universe*

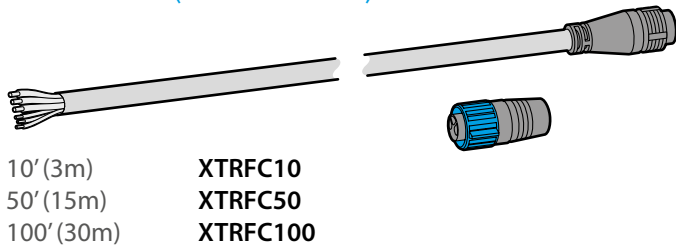


SCAN FOR PRODUCT PAGE

PROJECT  FIRM  ORDER #  TYPE  QTY

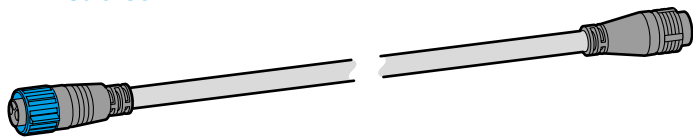
## RELATED COMPONENTS

### Feed cables (inc terminator)



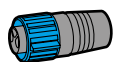
10' (3m) **XTRFC10**  
 50' (15m) **XTRFC50**  
 100' (30m) **XTRFC100**

### Link cables



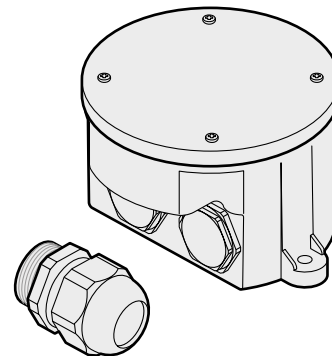
6" (15cm) **XTRLC0.5**  
 1' (30cm) **XTRLC1**  
 5' (1.5m) **XTRLC5**  
 10' (3m) **XTRLC10**  
 50' (15m) **XTRLC50**  
 100' (30m) **XTRLC100**

### Terminator (end cap)



Terminator **XTRECT**

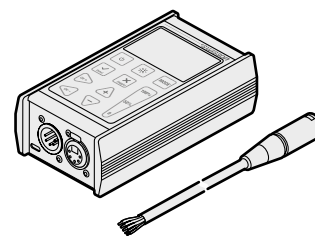
### IP66 junction box (plus outlet cable gland)



Part # **AJBOX1**  
 IP66 NEC compliant high+low voltage junction box  
 1/2" conduit inputs for AC + DMX, 3/4" conduit for XTRFC#  
 Built-in AC surge protection up to 10kV & 10kA  
 Suitable for 120-277VAC runs. Not certified for use with XTR Drivers

### Configuration tool

#### DMX/RDM control accessory

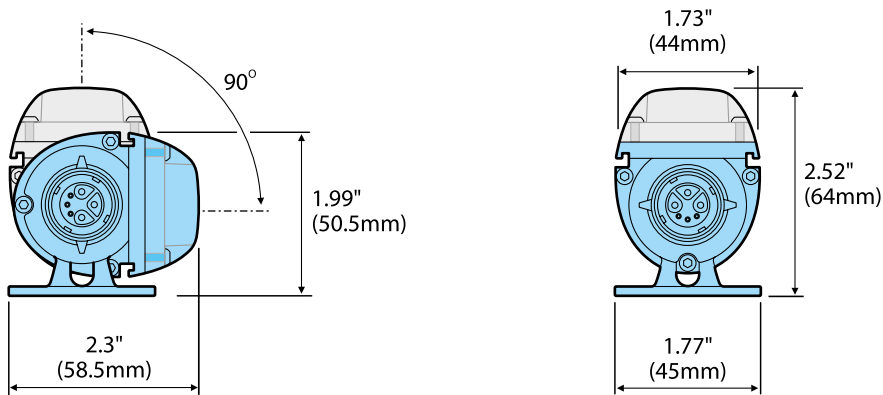
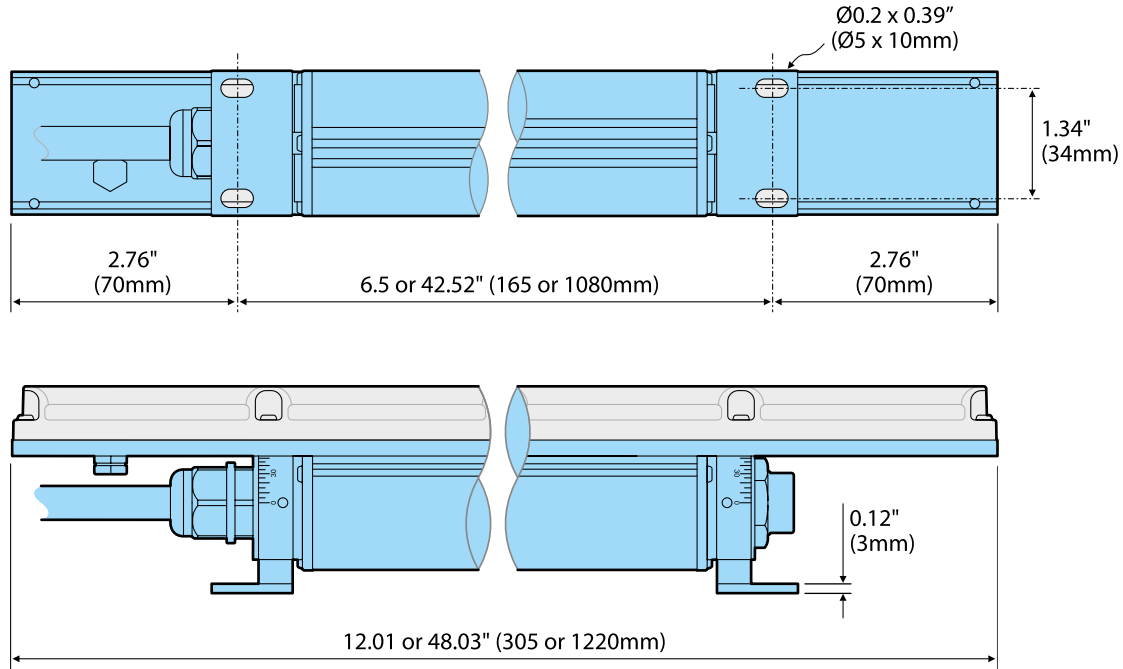


Part # **XMT350**  
 DMX + RDM Addressing and Testing Tool

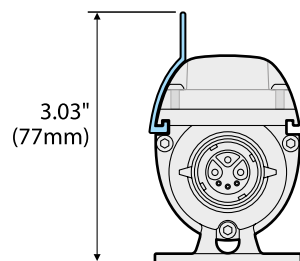


PROJECT \_\_\_\_\_ FIRM \_\_\_\_\_ ORDER # \_\_\_\_\_ TYPE \_\_\_\_\_ QTY \_\_\_\_\_

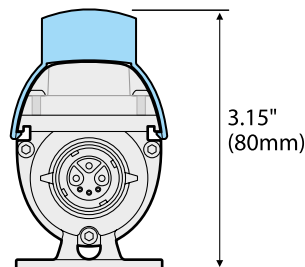
## DIMENSIONS



with optional glare shield



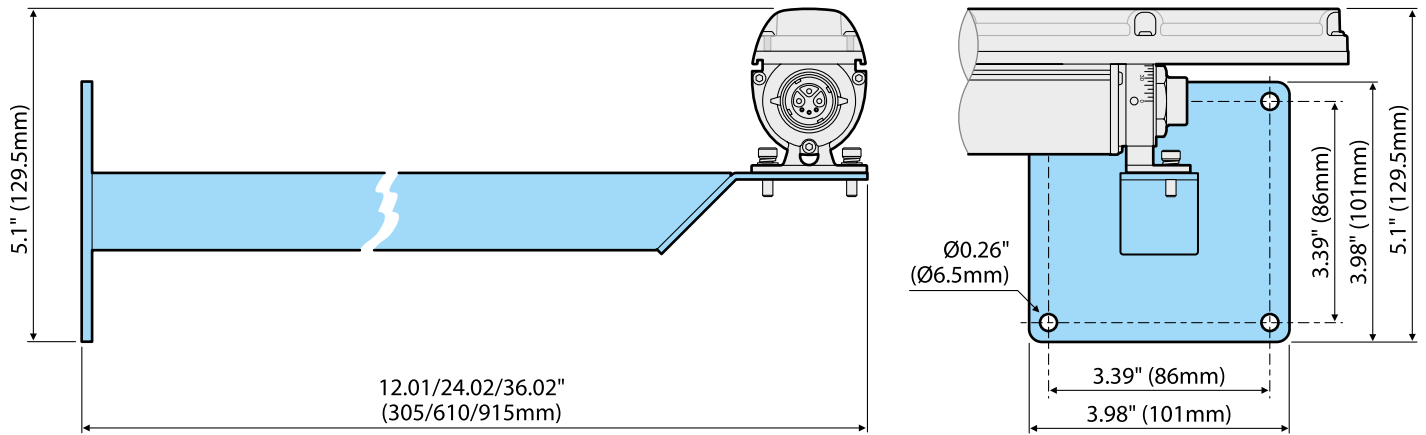
with optional louver



PROJECT: \_\_\_\_\_ FIRM: \_\_\_\_\_ ORDER #: \_\_\_\_\_ TYPE: \_\_\_\_\_ QTY: \_\_\_\_\_

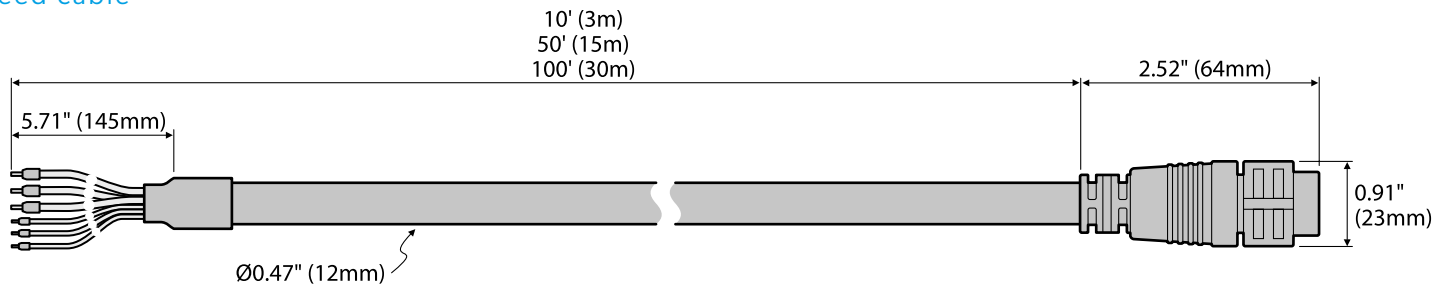
## DIMENSIONS

### Optional extender bars

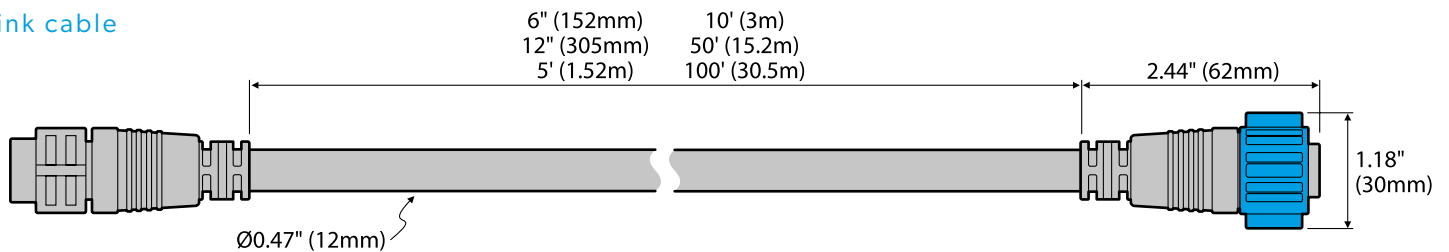


### Cables

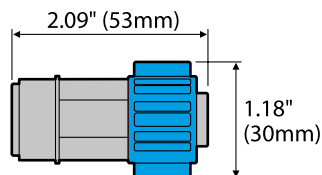
#### Feed cable



#### Link cable



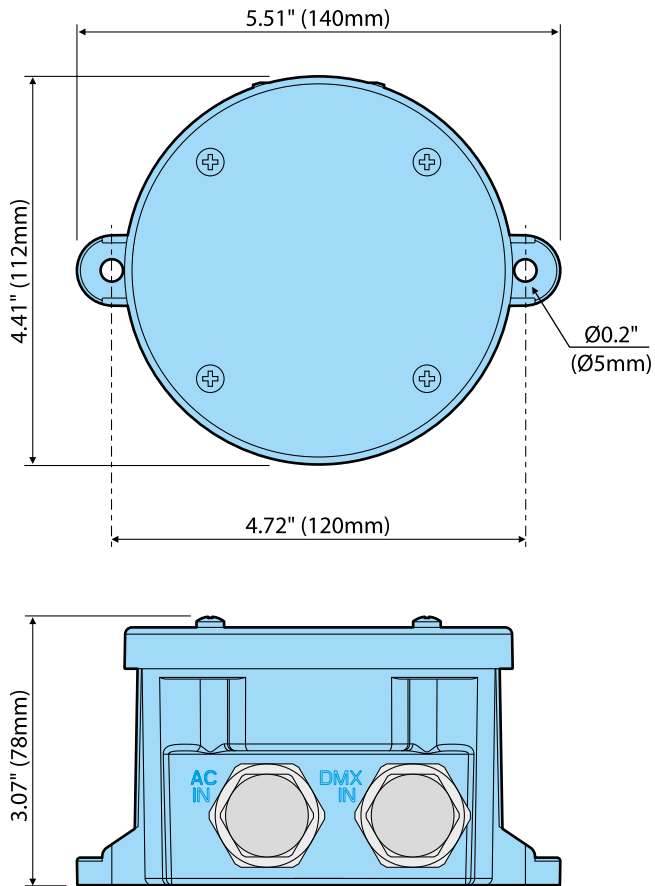
#### Terminator (end cap)



PROJECT	FIRM	ORDER #	TYPE	QTY
---------	------	---------	------	-----

## DIMENSIONS

### AJBOX1



PROJECT \_\_\_\_\_ FIRM \_\_\_\_\_ ORDER # \_\_\_\_\_ TYPE \_\_\_\_\_ QTY \_\_\_\_\_

## UNIQUE ADDRESSING UNDER DMX CONTROL

### 1' (305mm) Linear XTR

Emitter options	DMX channels used				Total channels per fixture	Maximum unique fixtures
	▶ Cell 1					
W	1				1	512
DW	2				2	256
RGBW/A	4				4	128

The maximum number of fixtures that can be uniquely addressed in a run is determined by the length, emitter type and operation mode of each linear fixture, as summarized in the tables shown here.

Additionally, any number of fixtures in a run can be configured to use duplicate control addresses, as required.

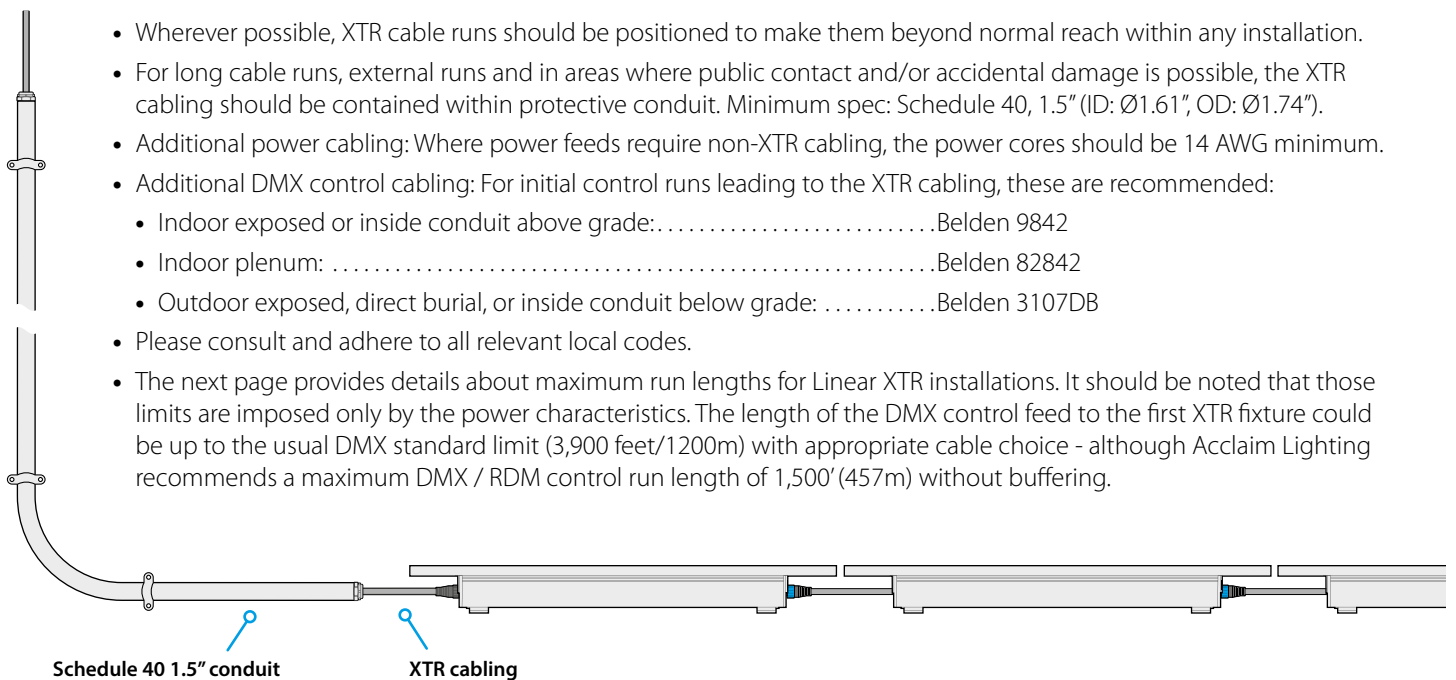
### 4' (1220mm) Linear XTR (operating in '1 Group' mode)

Emitter options	DMX channels used				Total channels per fixture	Maximum unique fixtures
	▶ All cells combined					
W	1				1	512
DW	2				2	256
RGBW/A	4				4	128

### 4' (1220mm) Linear XTR (operating in '4 Group' mode)

Emitter options	DMX channels used				Total channels per fixture	Maximum unique fixtures
	▶ Cell 1	Cell 2	Cell 3	Cell 4		
W	1	1	1	1	4	128
DW	2	2	2	2	8	64
RGBW/A	4	4	4	4	16	32

## IMPORTANT CABLING CONSIDERATIONS



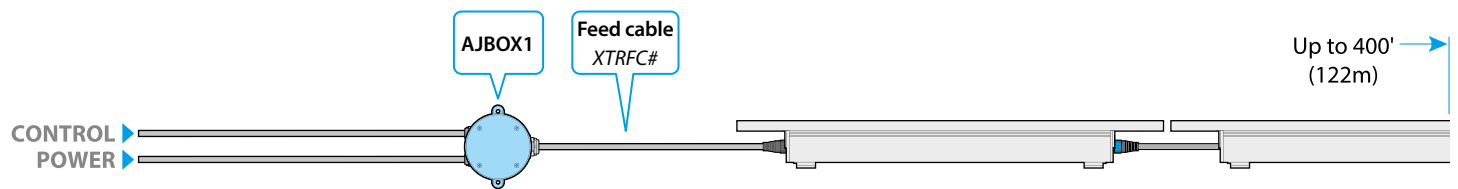
- Wherever possible, XTR cable runs should be positioned to make them beyond normal reach within any installation.
- For long cable runs, external runs and in areas where public contact and/or accidental damage is possible, the XTR cabling should be contained within protective conduit. Minimum spec: Schedule 40, 1.5" (ID: Ø1.61", OD: Ø1.74").
- Additional power cabling: Where power feeds require non-XTR cabling, the power cores should be 14 AWG minimum.
- Additional DMX control cabling: For initial control runs leading to the XTR cabling, these are recommended:
  - Indoor exposed or inside conduit above grade: .....Belden 9842
  - Indoor plenum: .....Belden 82842
  - Outdoor exposed, direct burial, or inside conduit below grade: .....Belden 3107DB
- Please consult and adhere to all relevant local codes.
- The next page provides details about maximum run lengths for Linear XTR installations. It should be noted that those limits are imposed only by the power characteristics. The length of the DMX control feed to the first XTR fixture could be up to the usual DMX standard limit (3,900 feet/1200m) with appropriate cable choice - although Acclaim Lighting recommends a maximum DMX / RDM control run length of 1,500' (457m) without buffering.



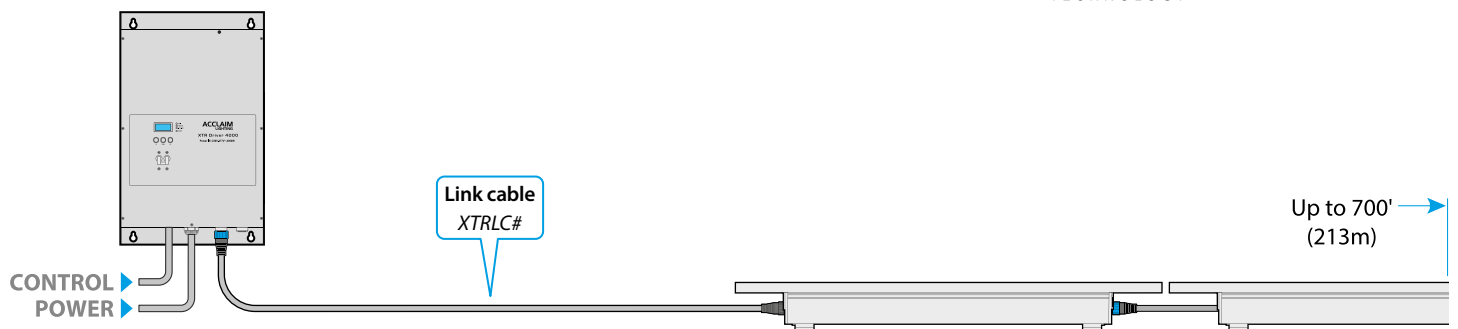
## RUN LENGTHS

Linear XTR fixtures can be fed directly from a suitably protected mains supply (100 to 277VAC 50/60Hz) to provide standard run lengths up to 400' (122m). Alternatively, an Acclaim Lighting XTR Driver can create an increased supply voltage to allow continuous runs up to 700' (213m). *Note: Linear XTR fixtures can use either power method without any reconfiguration; voltage levels are automatically detected.*

### Standard run lengths: Mains input plus AJBOX1 and feed cable



### Extended run lengths: XTR Driver plus link cable



### Maximum length of fixtures in a single run

*(all fixtures controlled within a single DMX universe)*

	Power draw	100/120VAC supply	230/277VAC supply	XTR Driver 4000	XTR Driver 8000
LO	2.5 per foot	200' (61m)	400' (122m)	700' (213m)	2x 700' (213m)
EO	5W per foot	200' (61m)	400' (122m)	700' (213m)	2x 700' (213m)
SO	12W per foot	100' (30.5m)	200' (61m)	300' (91.5m)	2x 300' (91.5m)

### Maximum overall length of a single run (fixtures + all cabling)

*(all fixtures controlled within a single DMX universe)*

	100/120VAC supply	230/277VAC supply	XTR Driver 4000	XTR Driver 8000
All models	200' (61m)	400' (122m)	800' (243m)	2x 800' (243m)

For full installation details, please refer to the **user guide**, available for free download here: