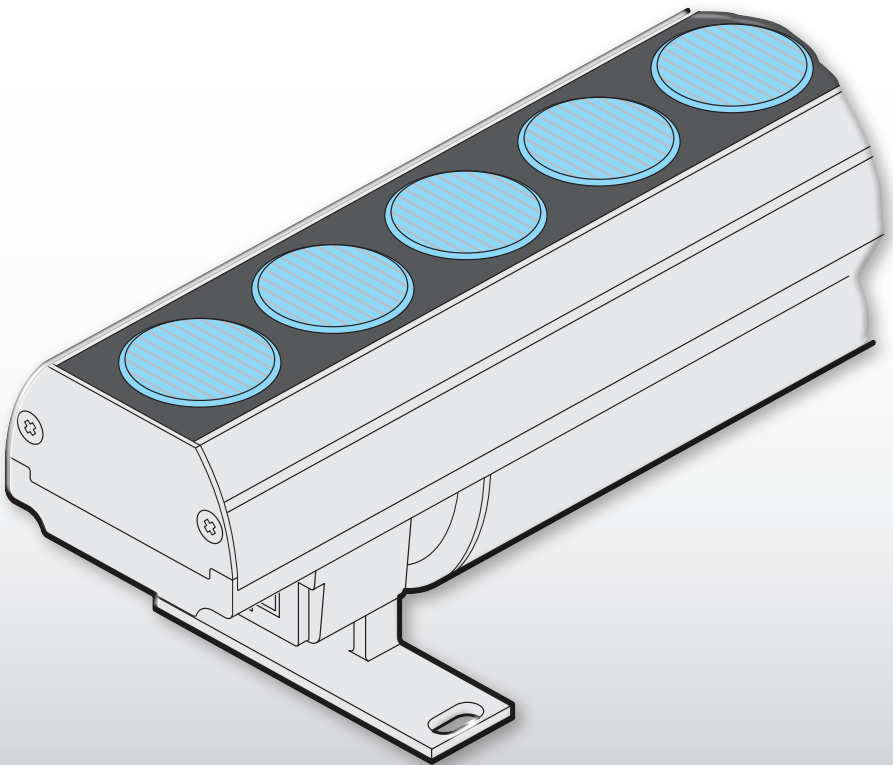


ACCLAIM MODULAR 
SYSTEMS

POWERSWITCH 
TECHNOLOGY



Adapt Linear

CONTENTS

INTRODUCTION	2
Welcome	2
Supplied items	3
Optional extras	3
INSTALLATION	5
Mounting	5
Factory set power levels/maximum lengths	6
Feed in cabling	7
Interconnecting	9
Fitting an optional louver	11
Using optional extender bars	12
Optional DMX operation (via ZDM 6)	13
Optional wireless DMX operation (via UDM•W)	13
Optional wireless 0-10V operation (via ZDM 6, Aria and UDM•W)	14
FURTHER INFORMATION	15
Specifications	15
Spec dials	15
Dimensions	16
Limited product warranty	18

INTRODUCTION

WELCOME

Welcome to the Adapt Linear range from Acclaim Lighting. Available in 1' and 4' lengths and built to order at our Los Angeles, CA, U.S.A. headquarters, these fixtures provide maximum flexibility to match your installation. Choose between a wide range of beam angle options and color temperatures of white.

Adapt Linear fixtures can be directly connected in series up to lengths of 100 feet (30.4m) (or up to 50 feet/15.2m at the higher power settings) to greatly simplify installation. Power and 0-10V (sink or source) dimming control are combined within the feed cable and are jointly passed from fixture to fixture when connected in series.

SAFETY

- Ensure that the power input is supplied from a correctly fused, earthed and environmentally protected location.

MAINTENANCE

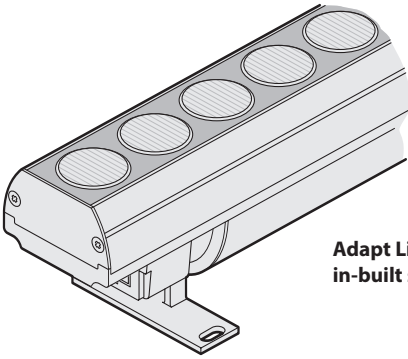
CAUTION: *Always isolate mains power before starting maintenance operations.*

- Ensure that all mounting (and device) screws/bolts are fully tight and free of corrosion.
- Ensure there is no deformation to the housing, lenses or fixing points.
- Check that all power supply cables are free from physical damage or material fatigue.
- Use only genuine spare parts supplied by Acclaim Lighting.

CLEANING

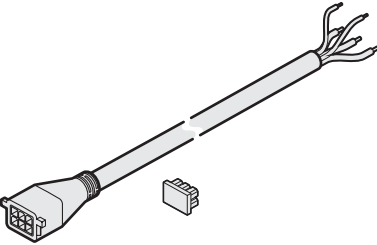
- Use a moist, lint-free cloth when cleaning each fixture.
- Never use alcohol or solvents.

SUPPLIED ITEMS



Adapt Linear 1' or 4' with two in-built swivel mounts

OPTIONAL EXTRAS



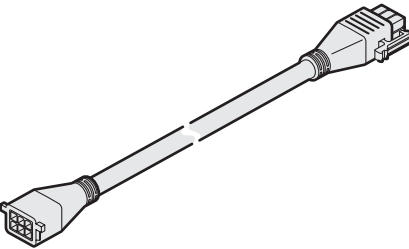
Feed cables (*plus end cap*)

10' (3m)

[ADLFC10]

50' (15m)

[ADLFC50]



Link cables

6" (15cm)

[ADLLC0]

1' (30cm)

[ADLLC1]

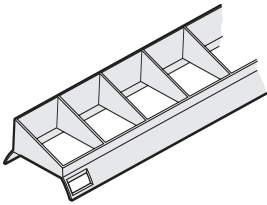
5' (1.5m)

[ADLLC5]

10' (3m)

[ADLLC10]

OPTIONAL EXTRAS (CONTINUED)

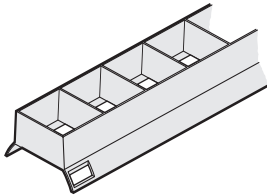


Half louvers

1' (30cm) [ADLHLV1#]

4' (122cm) [ADLHLV4#]

= W (white), G (gray), B (black) or C (custom)

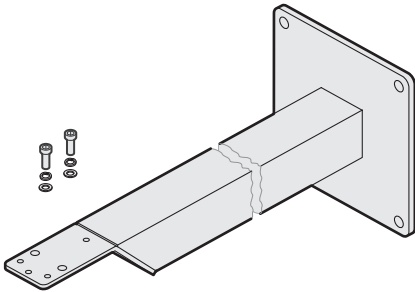


Full louvers

1' (30cm) [ADLLV1#]

4' (122cm) [ADLLV4#]

= W (white), G (gray), B (black) or C (custom)



Aluminum extender bars (plus 2x fixings)

6" (15cm) [ADLEB05#]

1' (30cm) [ADLEB1#]

2' (61cm) [ADLEB2#]

3' (91cm) [ADLEB3#]

= W (white), G (gray), B (black) or C (custom)

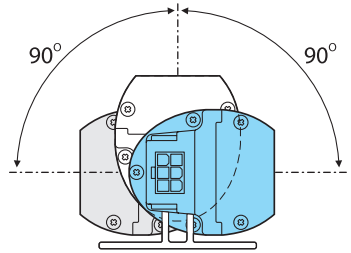
INSTALLATION

When installing each Adapt Linear fixture, ensure that the surface is level. Suitable mounting surfaces include steel, aluminum, concrete or wood structures.

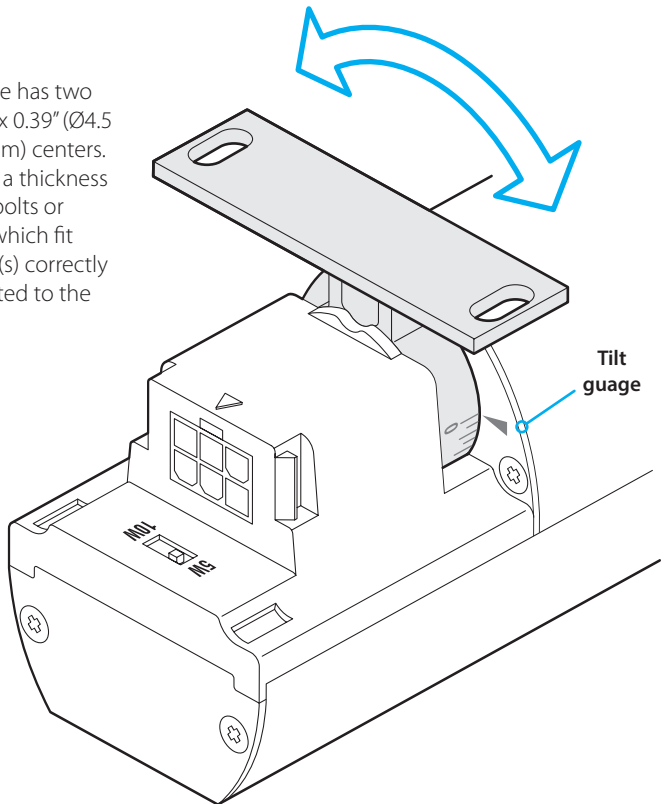
MOUNTING

Each Adapt Linear is supplied with two in-built swivel mounts (see "Dimensions" on page 16) which allow you to attach the fixture to suitable surfaces.

The fixture body can be tilted in either direction from vertical to horizontal in thirteen steps, with each step roughly equaling 7° of rotation. Tilt gauges are located both sides of each swivel mount. Internal ratchets in each swivel mount ensure that the chosen angle is retained without the need for tools.



Each swivel mount base has two slots measuring $\varnothing 0.18 \times 0.39$ ($\varnothing 4.5 \times 10\text{mm}$) on 1.65" (42mm) centers. The mount bases have a thickness of 0.08" (2mm). Select bolts or screws (not supplied) which fit the swivel mount base(s) correctly and are particularly suited to the mounting surface.



TO MOUNT THE FIXTURE

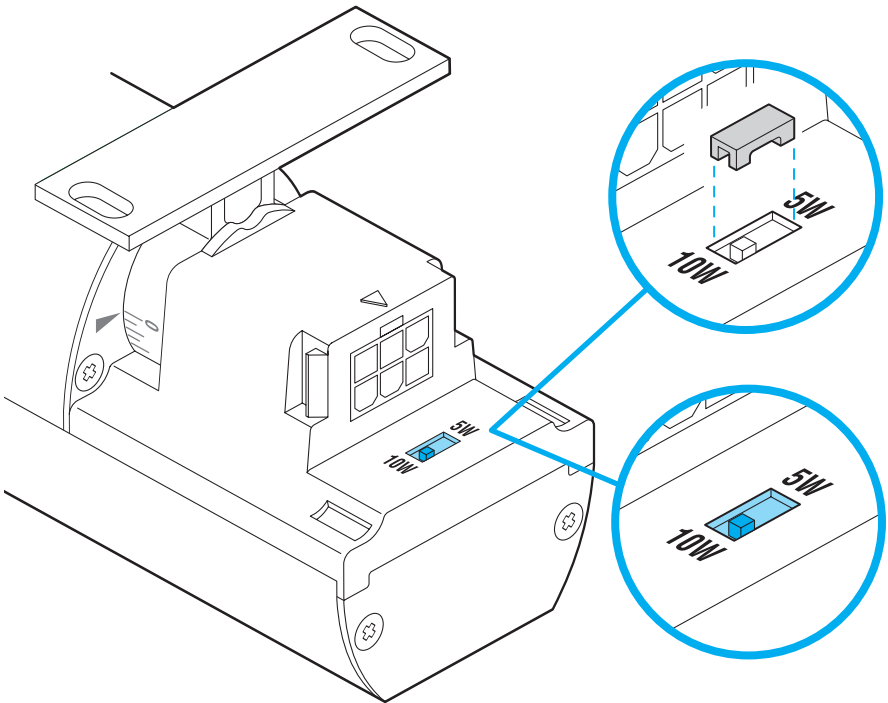
- 1 Where necessary, prepare four pilot holes in the mounting surface which align with the swivel mount base slots (see "Dimensions" on page 16).
- 2 Rotate both swivel mounts all the way to one side to allow access to the slots on one side.
- 3 Secure the two slots and then carefully rotate the fixture body all the way in the other direction to gain access to the slots on the other side.

FACTORY SET POWER LEVELS/MAXIMUM LENGTHS

IMPORTANT: Once the lower level has been selected and multiple fixtures are connected in series, avoid switching to higher output levels that may exceed the power availability and/or maximum length in series. Acclaim Lighting is not responsible for damage to an electrical circuit or system caused by misappropriation of the output level switch beyond what has been set at the factory.

Adapt Linear fixtures feature PowerSwitch Technology™ which helps to match the maximum power draw (and subsequent overall light output) to any given installation. By choosing lower power levels, twice the maximum length of fixtures can be connected in a single series chain. The power level is set during assembly using the concealed switch at one end of the fixture. The pre-set power level should not be changed in normal circumstances.

	Switchable power level	Maximum length in series
Adapt Linear 1'	5W	100' (30.4m)
	10W	50' (15.2m)
Adapt Linear 4'	20W	100' (30.4m)
	40W	50' (15.2m)



TO CHANGE THE MAXIMUM POWER OUTPUT LEVEL WHEN NECESSARY

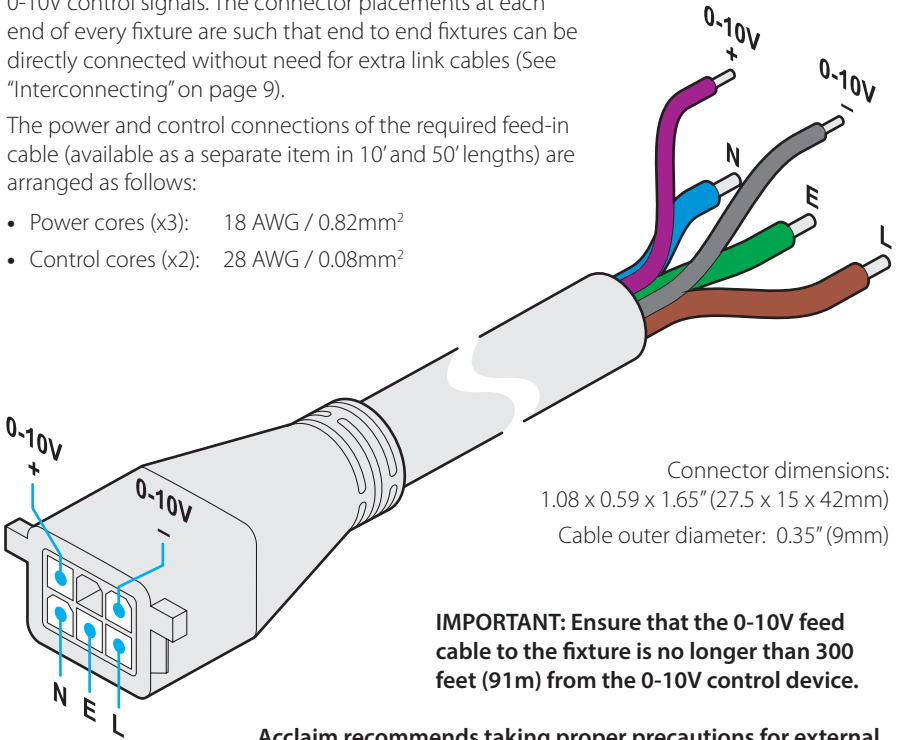
- 1 Use a small flatblade screwdriver to carefully lever out the switch cover.
- 2 Use the flatblade to select the required switch setting.
- 3 Replace the switch cover.

FEED IN CABLING

Adapt Linear fixtures use proprietary 6-way connectors for their inputs and outputs, which combine mains power and 0-10V control signals. The connector placements at each end of every fixture are such that end to end fixtures can be directly connected without need for extra link cables (See "Interconnecting" on page 9).

The power and control connections of the required feed-in cable (available as a separate item in 10' and 50' lengths) are arranged as follows:

- Power cores (x3): 18 AWG / 0.82mm²
- Control cores (x2): 28 AWG / 0.08mm²



Connector dimensions:
1.08 x 0.59 x 1.65" (27.5 x 15 x 42mm)
Cable outer diameter: 0.35" (9mm)

IMPORTANT: Ensure that the 0-10V feed cable to the fixture is no longer than 300 feet (91m) from the 0-10V control device.

Acclaim recommends taking proper precautions for external surge protection, as control and power electronics can be damaged by major events.

IMPORTANT: These connectors are not rated for live connection or disconnection. Check that power is isolated before making or breaking any links. Ensure the connectors have locked and are seated correctly before applying power.

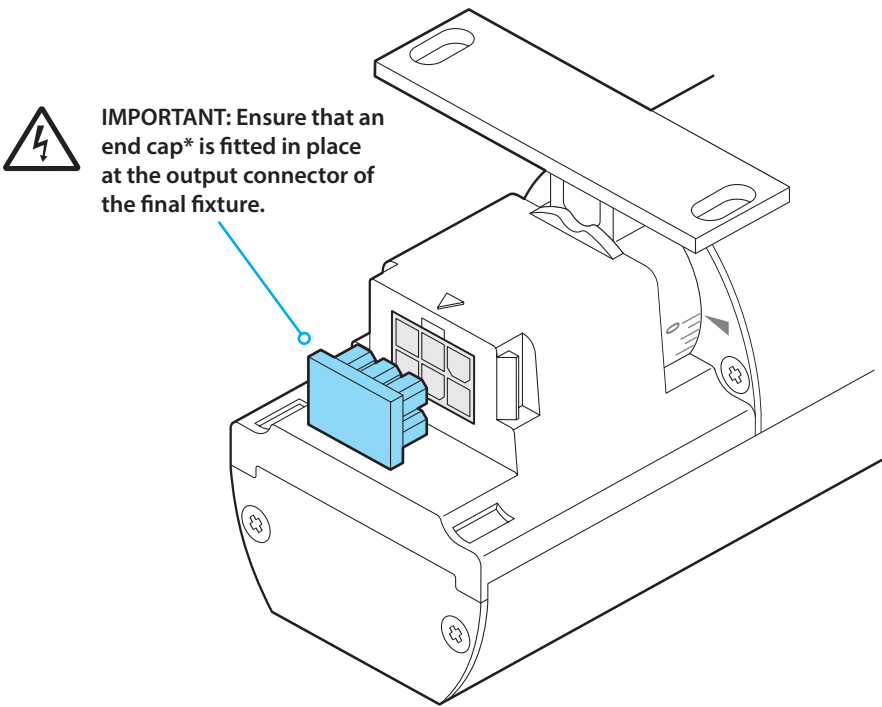
CABLING PROTECTION

Ensure that appropriate care is taken to protect the junction where the mains and control inputs are joined to the fixture's feed in cable(s).

Ensure that:

- the mains input is derived from a suitable overload-protected supply.
- only suitable cable connectors are used within the junction boxes; Acclaim Lighting recommends Wago® 221-series splicing connectors (or similar).
- local codes are followed during planning and installation. Some municipalities have specific requirements when wiring low and high voltage cables in close proximity. Such requirements could include the use of a barrier within combined junction boxes (if used) or particular minimum spacings between the control and power cables.
- connections are made, inspected and certified by a qualified electrician.

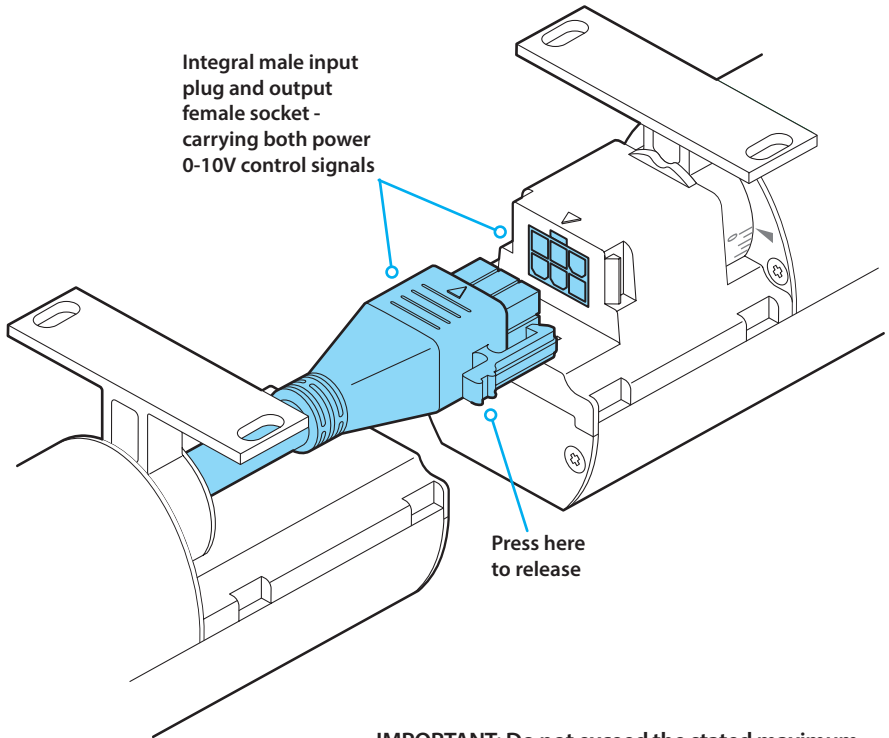
Note: Acclaim offers the AJBOX1 as an IP66 junction box with divided sections for low voltage and high voltage.



* Note: An end cap is supplied with each feed cable.

INTERCONNECTING

Each Adapt Linear fixture has a male input plug at one end and a female output socket at the other. When fixtures are daisy chained in an end to end configuration, the input plug of one fixture can connect directly to the output socket of the previous fixture. Alternatively, where fixtures are not abutted, one of the optional link cables can be used to make up the gap between any two fixtures.



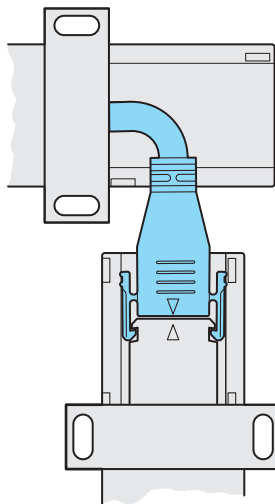
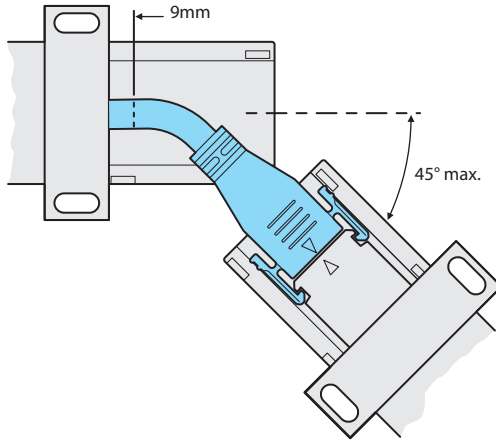
IMPORTANT: Do not exceed the stated maximum fixtures in a daisy chain. See page 6.

IMPORTANT: Ensure that an end cap is fitted in place at the output connector of the final fixture. See page 8.

Note: When Adapt Linear fixtures are set to their highest power settings, a maximum length in series of 50' (15.2m) is possible. When set to the lowest power setting 100' (30.4m) is possible in series. See page 6.

CURVED RUNS

The short power/signal input cable at one end of each fixture can extend by 0.35" (9mm) to assist with connection/disconnection and also to permit a small amount of angular alignment (up to 45° max) between neighboring units.



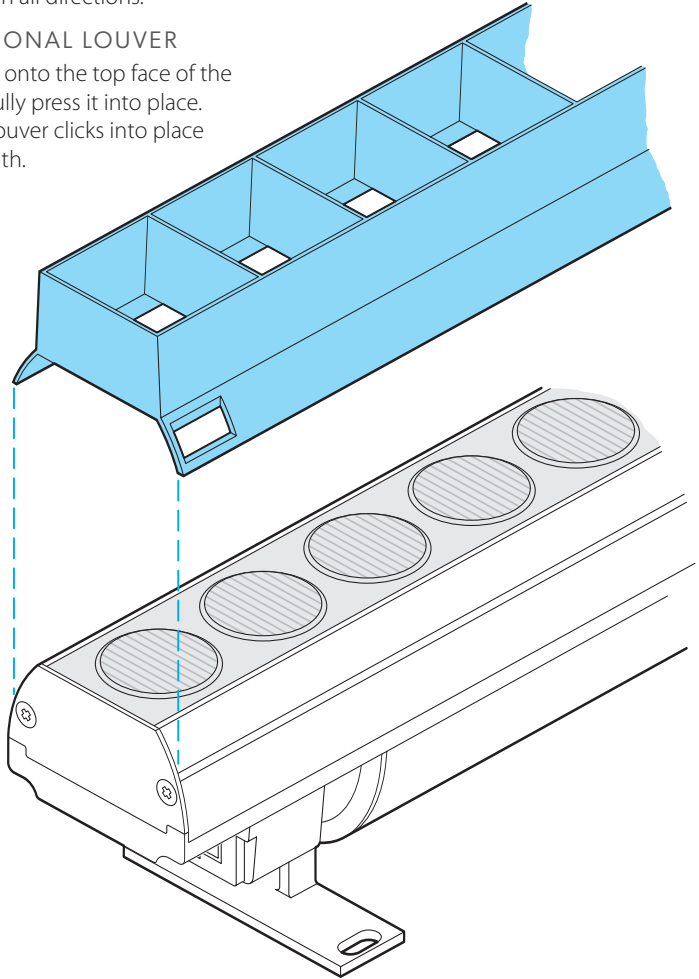
Take care not to stress the cable when connecting in this way. Use optional link cables to achieve greater separation/angles.

FITTING AN OPTIONAL LOUVER

Optional louvers (half or full) are available to eliminate side spill in all directions.

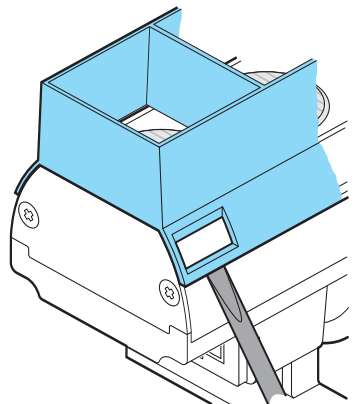
TO FIT AN OPTIONAL LOUVER

- 1 Lower the louver onto the top face of the fixture and carefully press it into place. Ensure that the louver clicks into place along its full length.



TO REMOVE A LOUVER

- 1 Working in sequence along one side of the louver, use a small flatblade screwdriver to carefully lift out each of the three small apertures so that they disengage from the fixture. Maintain a little outward pressure on the louver side as you work along in order to prevent it clicking back into place.

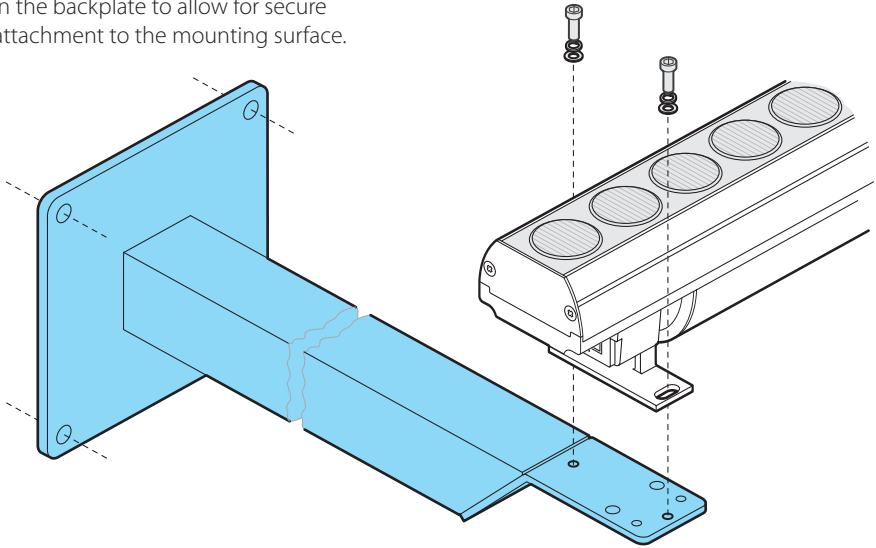


USING OPTIONAL EXTENDER BARS

Optional extender bars are available to allow each Adapt Linear fixture to be held a certain distance from a vertical mounting surface. Four extender bar lengths are available (see page 3 for part numbers and page 17 for dimensions). Each Adapt Linear fixture requires two extender bars of equal length.

Each extender bar is manufactured entirely from aluminum to minimize weight and is supplied with two sets of bolts, spring washers and standard washers to secure the fixture swivel mount base (see note below).

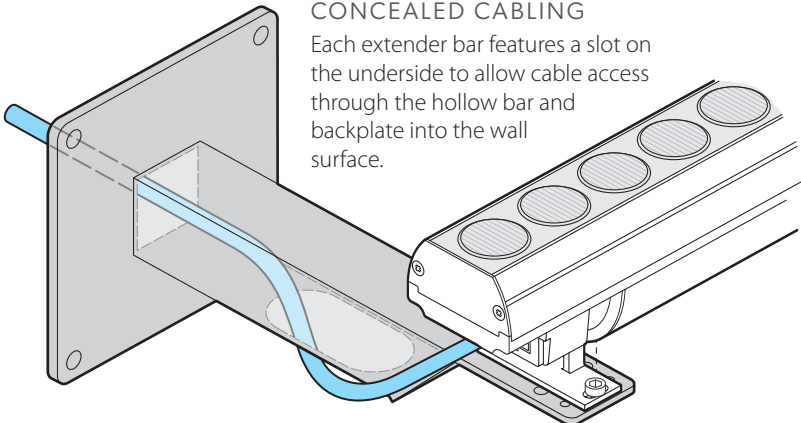
There are four $\varnothing 0.26"$ ($\varnothing 6.5\text{mm}$) holes in the backplate to allow for secure attachment to the mounting surface.



Always place the spring washer on each bolt first and then add the standard washer, before inserting into the swivel mount base. This will prevent the steel spring washer from denting the softer aluminum body of the swivel mount base.

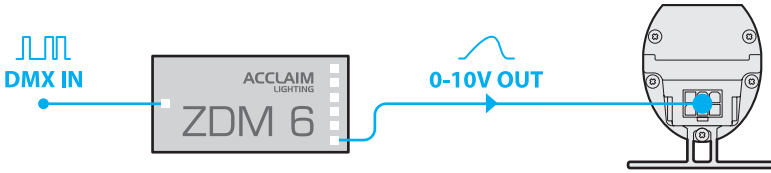
CONCEALED CABLING

Each extender bar features a slot on the underside to allow cable access through the hollow bar and backplate into the wall surface.



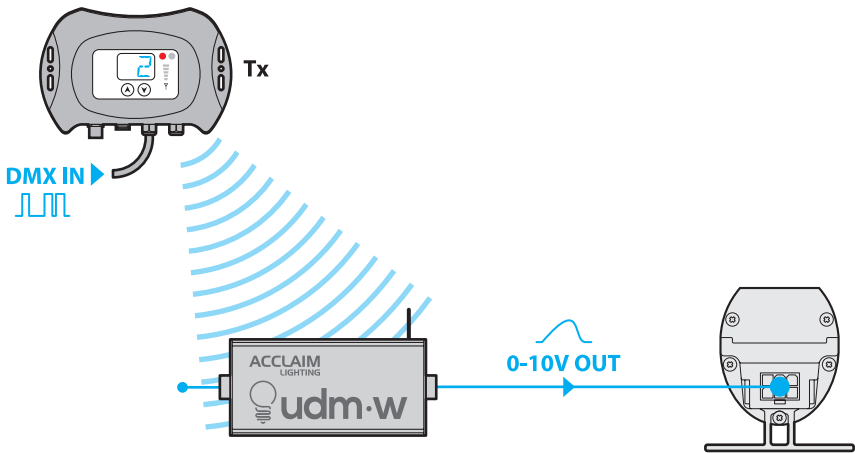
OPTIONAL DMX OPERATION (VIA ZDM 6)

Adapt Linear fixtures operate using a 0-10V (sink or source) control signal input. Where DMX control is required, the optional Acclaim Lighting ZDM 6 device is available to perform the necessary signal conversion:



OPTIONAL WIRELESS DMX OPERATION (VIA UDM•W)

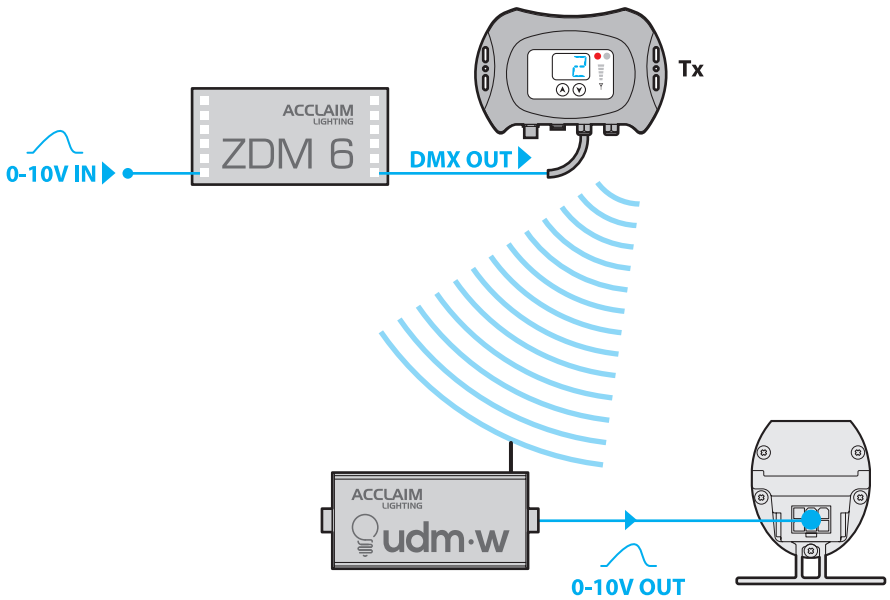
In addition to performing DMX to 0-10V signal conversions, the optional UDM•W also adds Aria™ wireless linking over distances up to 2600 feet (792m) line of sight (when coupled with an Aria transmitter [Tx]):



Note: When Adapt Linear fixtures are set to their highest power settings, a maximum length in series of 50' (15.2m) is possible. When set to the lowest power setting 100' (30.4m) is possible in series. See page 6.

OPTIONAL WIRELESS 0-10V OPERATION (VIA ZDM 6, ARIA AND UDM•W)

Using a combination of Acclaim Lighting ZDM 6, Aria and UDM•W units it is possible to transmit a 0-10V input wirelessly over distances up to 2600 feet (792m) line of sight to the Adapt Linear installation:



FURTHER INFORMATION

SPECIFICATIONS

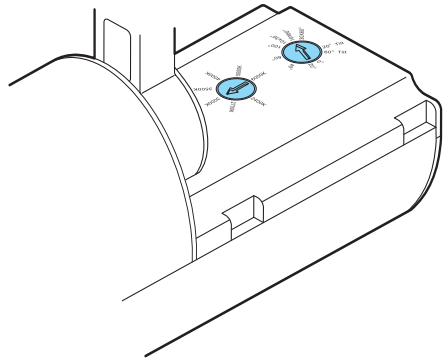
CCT order options	2400K, 2700K, 3000K, 3500K or 4000K
Beam angle options	8°, 20°, 45°, 60°, 100°, 10° x 35°, 10° x 60°, 30° x 60° Asymmetric wall wash (60° plus 20° tilt)
Control	0-100% 0-10V (sink or source) Maximum 300' (91m) 0-10V cabling (18AWG)
Maximum lengths in series	100' (30.4m) at the lower power setting, 50' (15.2m) at the higher setting.
Lumen maintenance	L_{70} @ 150,000 hours (25°C)
Ingress protection	IP40, dry location
Impact protection	IK08, protection against 5 joule impact (40cm distance)
Operating voltage	100-277VAC, 50/60Hz
Power consumption	5W/10W (1' model), 20W/40W (4' model)
Connectors	Attached 5 conductor AC + 0-10V input and socket output
Housing	Aluminum body with polycarbonate lens
Finish	White
Operating temperature	-4°F to 113°F (-20°C to 45°C)
Weight	0.8 lbs/0.36 kg (1' model), 3.2 lbs/1.45 kg (4' model)

Certifications

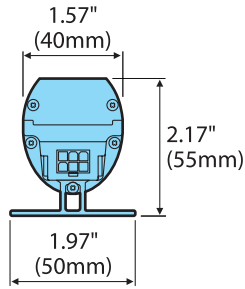
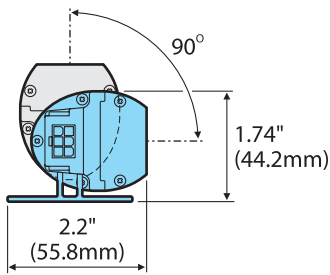
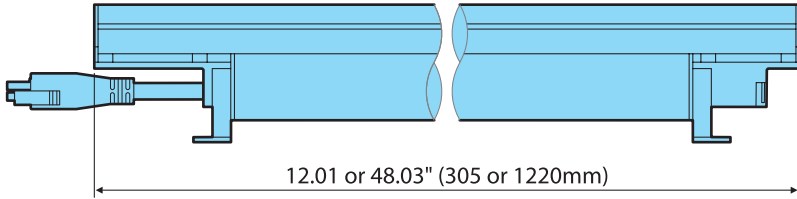
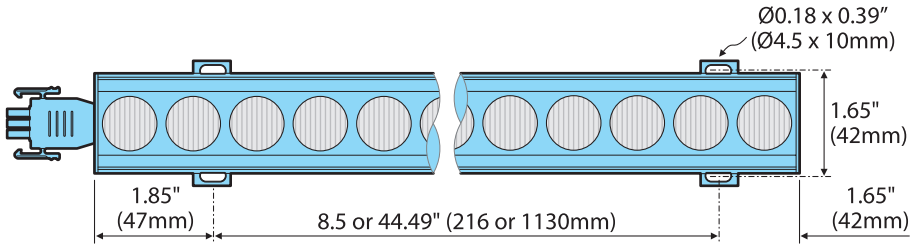


SPEC DIALS

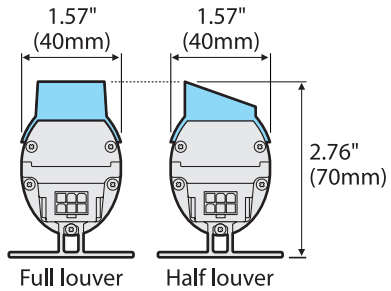
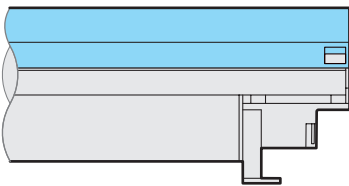
At one end of the fixture are located two dials which indicate the fitted color temperature and lens types. These are for information purposes only and have no effect on operation if altered.



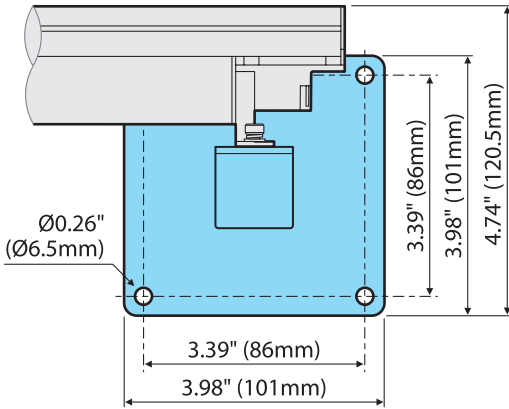
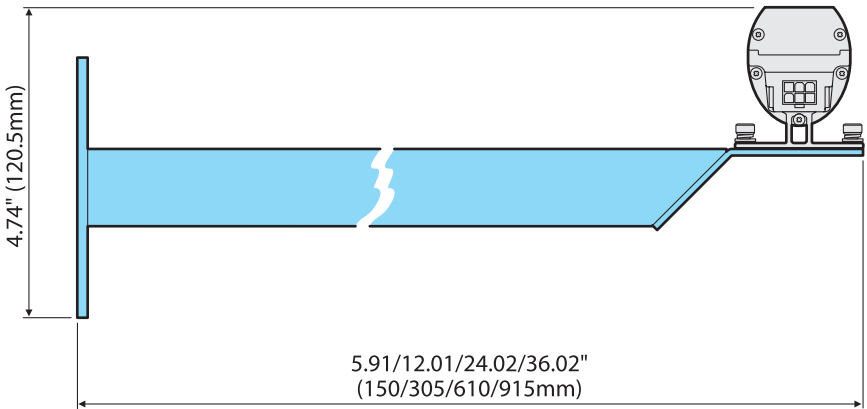
DIMENSIONS



WITH OPTIONAL LOUVER FITTED



FITTED TO OPTIONAL EXTENDER



LIMITED PRODUCT WARRANTY

A. Acclaim Lighting™ hereby warrants, to the original purchaser, Acclaim Lighting finished products to be free of manufacturing defects in material and workmanship for a standard period of:

- Fixtures: 5 Years (1,825 days) from the date of purchase.
- Drivers, power supplies and accessories: 5 Years (1,825 days) from the date of purchase.
- Flex Products: 3 Years (1,095 days) from the date of purchase.
- Controllers: 2 Years (730 days) from the date of purchase.

It is the owner's responsibility to establish the date and place of purchase and warranty terms by acceptable evidence, at the time service is sought.

B. For warranty service, send the product only to the Acclaim factory. All shipping charges must be pre-paid. If the requested repairs or service (including parts replacement) are within the terms of this warranty, Acclaim Lighting will pay return shipping charges only to a designated point within the United States. If the entire instrument is sent, it must be shipped in its original package. No accessories should be shipped with the product. If any accessories are shipped with the product, Acclaim Lighting shall have no liability whatsoever for loss of or damage to any such accessories, nor for the safe return thereof. Acclaim reserves the right to replace the item with same or similar product at its discretion.

C. This warranty is void if the serial number has been altered or removed; if the product is modified in any manner which Acclaim concludes, after inspection, affects the reliability of the product; if the product has been repaired or serviced by anyone other than the Acclaim Lighting factory unless prior written authorization was issued to purchaser by Acclaim Lighting; if the product is damaged because not properly maintained as set forth in the instruction manual.

D. This is not a service contract, and this warranty does not include maintenance, cleaning or periodic check-up nor do we guarantee as part of this warranty any lumen performance during period. Parts not covered by this warranty include: fuses, external power supplies, third party items not manufactures by Acclaim lighting. During the period specified above, Acclaim Lighting will replace defective parts at its expense, and will absorb all expenses for warranty service and repair labor by reason of defects in material or workmanship. The sole responsibility of Acclaim Lighting under this warranty shall be limited to the repair of the product, or replacement thereof, including parts, at the sole discretion of Acclaim Lighting. At no time will installation or re-installation or products labor or liability costs will be assumed by Acclaim Lighting. All products covered by this warranty were manufactured after January 1, 2012, and bear identifying serial number marks to that effect.

E. Acclaim Lighting reserves the right to make changes in design and/or improvements upon its products without any obligation to include these changes in any products theretofore manufactured. No warranty, whether expressed or implied, is given or made with respect to any accessory supplied with products describe above. Except to the extent prohibited by applicable law, all implied warranties made by Acclaim Lighting in connection with this product, including warranties of merchantability or fitness, are limited in duration to the warranty period set forth above. And no warranties, whether expressed or implied, including warranties of merchantability or fitness, shall apply to this product after said period has expired.

F. Marine or extreme weather location applications using Acclaim lighting products are subject to a 2 year limited warranty and Acclaim must be notified prior to delivery of units for such applications so that preventative treatment can be made to the products to ensure proper performance and product life with a special marine code coating / sealing process at an additional cost.

G. The consumer's and or dealer's sole remedy shall be such repair or replacement as is expressly provide above; and under no circumstances shall Acclaim Lighting be liable for any loss or damage, direct or consequential, arising out of the use of, or inability to use, this product. This warranty is the only written warranty applicable to Acclaim Lighting products and supersedes all prior warranties and written descriptions of warranty terms and conditions heretofore published.

www.acclaimlighting.com