

PROJECT: _____ FIRM: _____ ORDER #: _____ TYPE: _____ QTY: _____



ALPS is a range of high quality switched mode power supplies which offer auto-sensing voltage inputs as well as over-current and over-voltage protections. Available in varying maximum power capacities, the stabilized 24VDC output is perfect for use with any low voltage device.

The powder-coated aluminum casing is rated to IP67 for wet locations and the base has four slotted holes for secure mounting.

AT A GLANCE

<p>Input</p> <p>100 to 277VAC 50/60Hz</p>	<p>Output</p> <p>24VDC 60W, 96W, 200W or 400W</p>	<p>Temperature</p> <p>-40° F to 122° F -40° C to 50° C</p>	<p>Protection</p> <p>IP67 Wet location</p>	<p>Supported fixtures</p> <p>Flex Eco Flex One SO & HO Flex Spectrum Flex Tube (all models)</p> <p>Flex Tube Mini AL Graze DC CV AL Dot</p>
--	--	---	--	--

CONFIGURE YOUR PRODUCT

ALPS- -24

Example final code: **ALPS-200-24**


Output power:

- 60 = 60W
- 96 = 96W
- 200 = 200W
- 400 = 400W



PROJECT	FIRM	ORDER #	TYPE	QTY
---------	------	---------	------	-----

GENERAL SPECIFICATIONS

Input voltage	100-277VAC, 50/60Hz
Output voltage	24VDC
Power characteristics	See table below
Inrush current	Meets NEMA-410 requirements
Over-current protection	110-130%
Over-voltage protection	24-32VDC, SELV protection
Finish	Black powder coat
Housing material	Aluminum
Ambient temperature range	-40° F to 122° F (-40° C to 50° C)
Ingress protection	IP67, wet location
Cables	10" (250mm) input and output cables, bare wire tails
Warranty	5 years, limited
Weight	See table below
Dimensions	See pages 3 and 4
Certifications	

MODEL SPECIFICS

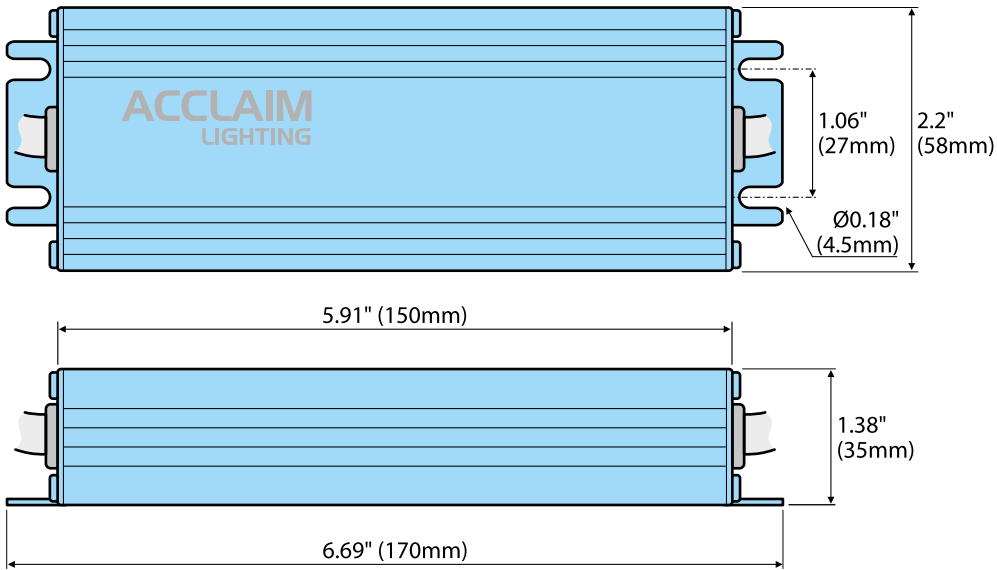
Model Input current			Output current (maximum)	Output wattage (maximum)	Weight
	(@120VAC)	(@240VAC)	(@277VAC)			
ALPS-60-24	0.5A	0.25A	0.21A	2.5A	60W	1.0 lbs (0.45 kg)
ALPS-96-24	0.8A	0.4A	0.34A	3.75A	96W	1.23 lbs (0.55 kg)
ALPS-200-24	1.66A	0.83A	0.72A	8.33A	200W	1.51 lbs (0.69 kg)
ALPS-400-24	3.33A	1.67A	1.44A	16.7A	400W	4 lbs (1.81 kg)



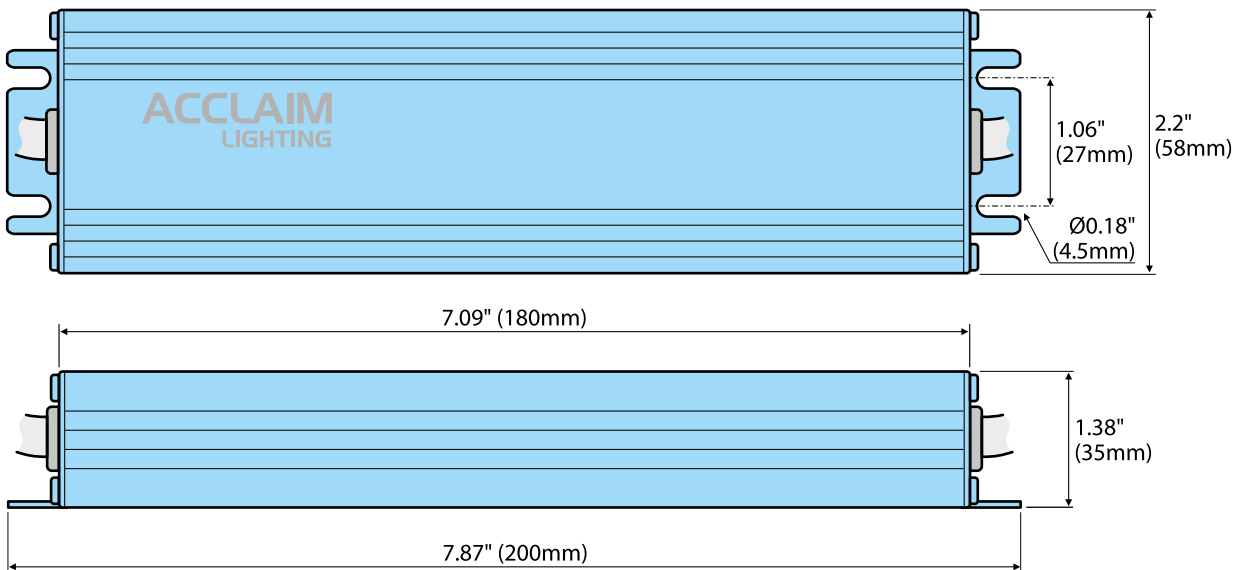
PROJECT FIRM ORDER # TYPE QTY

DIMENSIONS

ALPS-60-24



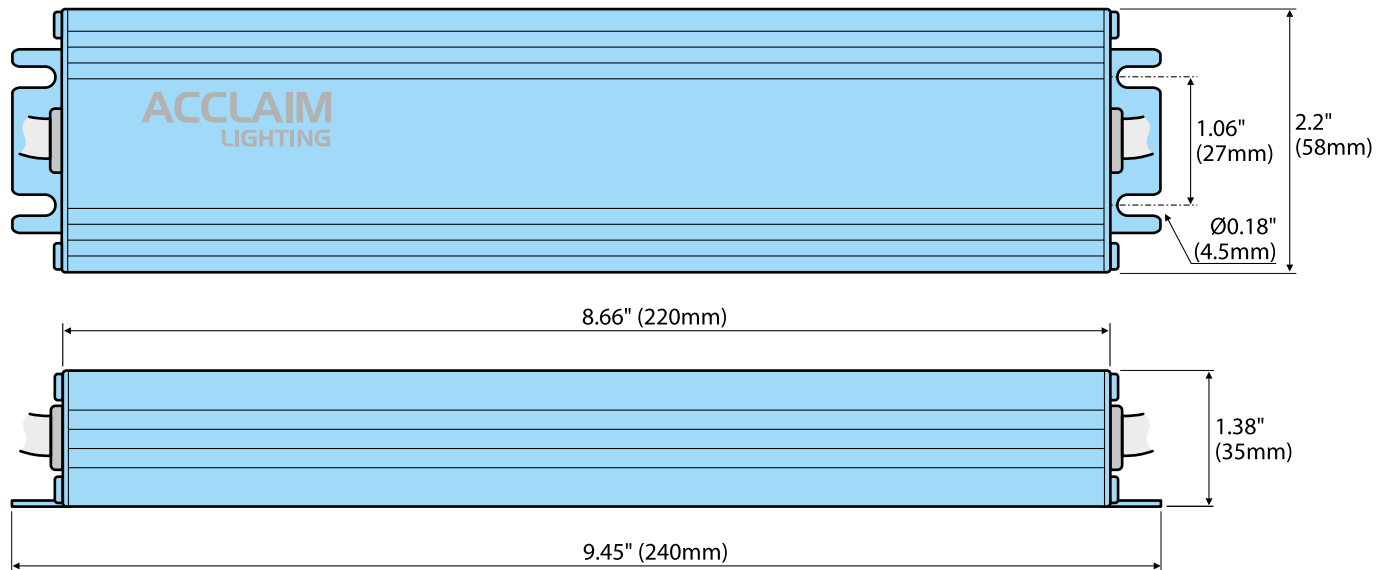
ALPS-96-24



PROJECT: _____ FIRM: _____ ORDER #: _____ TYPE: _____ QTY: _____

DIMENSIONS

ALPS-200-24



ALPS-400-24

