

PROJECT: \_\_\_\_\_ FIRM: \_\_\_\_\_ ORDER #: \_\_\_\_\_ TYPE: \_\_\_\_\_ QTY: \_\_\_\_\_



Ease of installation and outstanding flexibility are two stand-out features of **Adapt Linear DMX™**. These smart indoor fixtures are quick to ship, quick to fit and able to change - in a word: Adaptable. The built-in link cables can retract to allow fixtures to either be directly abutted or set at angles up to 45°. This makes daisy-chaining quick, simple and responsive.

Numerous emitter options are available, featuring RGBW, RGBA or Dynamic White together with a wide range of optics. Every model also features three power levels at 2.5W, 5W or 10W per linear foot: Brighter, shorter runs - *Check*. Less bright, longer runs - *Check*. Control is via DMX, with all configuration carried out through RDM. All standard mains supply voltages are supported.



## AT A GLANCE

### Optics

10° x 10°, 10° x 35°, 10° x 60°  
 20° x 20°, 30° x 60°  
 30° x 10°, 40° x 40°  
 60° x 10°, 60° x 30°, 60° x 60°  
 90° x 10°  
 100° x 100°  
 60° x 60° + 20° tilt

### Emitters

**RGBW** (W=3000K, 4000K or 6000K) or **RGBA** or **Dynamic White (DW)** (2200K to 6000K)

#### Power

100 to 277VAC  
50/60Hz

#### Temperature

-4° F to 113° F  
-20° C to 45° C

#### Protection

Ingress: **IP40**  
Impact: **IK10**

#### Output

Up to **411 lumens** per linear foot

#### Core technologies

**SPECTRUMFOUR** TECHNOLOGY  
**ACCLAIM MODULAR** SYSTEMS

## CONFIGURE YOUR PRODUCT

**APX**

**-AXC**

**Length:**  
A = 1' (305mm)  
D = 4' (1220mm)

**-AXO**

**Finish:**  
1 = Black\*  
2 = White  
4 = Gray\*  
7 = Custom (RAL #)\*

**-AXW**

**Emitters:**  
Q = QS (RGBW, W=3000K)  
R = QW4 (RGBW, W=4000K)  
S = QW6 (RGBW, W=6000K)  
T = RGBA  
X = Dynamic White (2200K-6000K)

**Optics:**  
C = 10° x 10°    H = 40° x 40°  
P = 10° x 35°    J = 60° x 10°  
R = 10° x 60°    Y = 60° x 30°  
E = 20° x 20°    K = 60° x 60°  
I = 30° x 10°    Z = 90° x 10°  
Q = 30° x 60°    L = 100° x 100°  
T = 60° x 60° + 20° tilt left  
U = 60° x 60° + 20° tilt right

**Power setting (W/ft):**  
A = SO 10W  
B = EO 5W  
C = LO 2.5W



Example final code: **APXD2-AXCR-AXOK-AXWA**



\* indicates special order items, which may require longer lead times (AMS quick ship only applies to white housing)

|         |      |         |      |     |
|---------|------|---------|------|-----|
| PROJECT | FIRM | ORDER # | TYPE | QTY |
|---------|------|---------|------|-----|

## SPECIFICATIONS

|                                   |   |
|-----------------------------------|---|
| <b>Emitters</b>                   | QS (RGBW, W=3000K), QW4 (RGBW, W=4000K), QW6 (RGBW, W=6000K), RGBA or Dynamic White   |
| <b>Optics</b>                     | 10° x 10°, 10° x 35°, 10° x 60°, 20° x 20°, 30° x 10°, 30° x 60°, 40° x 40°, 60° x 10°, 60° x 30°, 60° x 60°, 90° x 10°, 100° x 100° or Asymmetric wall wash (60° x 60° + 20° tilt left or right)   |
| <b>Lumen maintenance</b>          | L <sub>70</sub> 130,000 hours (@ 25° C)   |
| <b>Control</b>                    | 0-100% dimming via wired DMX (with RDM configuration)   |
| <b>Maximum fixtures in series</b> | <b>SO:</b> 70' (21m), <b>EO &amp; LO:</b> 140' (42m)  |
| <b>Housing lengths</b>            | 1' (305mm) or 4' (1220mm)   |
| <b>Operating voltage</b>          | 100-277VAC, 50/60Hz   |
| <b>Power consumption</b>          | <b>SO (10W per ft):</b> 1': 10W 4': 40W, <b>EO (5W per ft):</b> 1': 5W 4': 20W, <b>LO (2.5W per ft):</b> 1': 2.5W 4': 10W   |
| <b>Connection</b>                 | Retractable end to end connection for straight or curved runs, optional link cables available   |
| <b>Mounting</b>                   | Two built-in ratcheted (tool-free) swivel mount brackets  |
| <b>Material</b>                   | Aluminum body with polycarbonate top lens   |
| <b>Finish</b>                     | White standard (AMS quick ship). Optional black, gray, or custom (supply RAL #)   |
| <b>Ambient temperature range</b>  | -4° F to 113° F (-20° C to 45° C)   |
| <b>Ingress protection</b>         | IP40, dry location  |
| <b>Impact protection</b>          | IK10, protection against 20 joule impact (40cm distance)  |
| <b>Warranty</b>                   | 5 years, limited  |
| <b>Weight</b>                     | <b>1':</b> 0.8 lbs (0.36 kg) <b>4':</b> 3.2 lbs (1.45 kg)   |
| <b>Dimensions</b>                 | <b>LxWxH:</b> 12 or 48" x 1.97" x 2.17" (305 or 1220 x 50 x 55mm) - see page 6  |
| <b>Certifications</b>             |      |

## PHOTOMETRICS

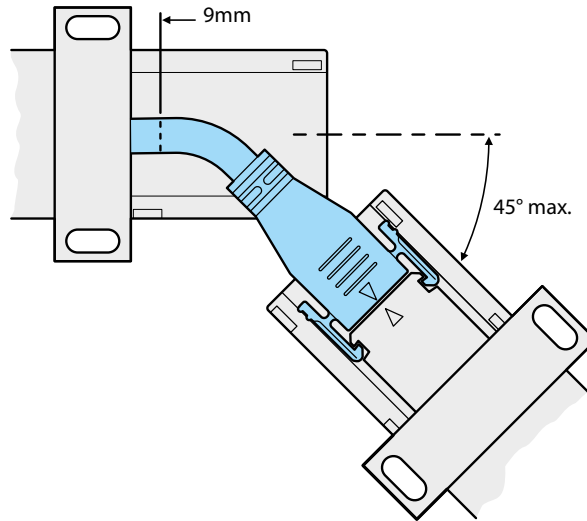
For all available IES files, please visit [acclaimlighting.com/adapt-linear-dmx](https://acclaimlighting.com/adapt-linear-dmx)

| Color or color temperature | Lumens (per ft) | Max Candela | Efficacy (lm/W) | CRI (Ra) | TM30 |
|----------------------------|-----------------|-------------|-----------------|----------|------|
| QW6 10°, 10W               | 411             | 5,124       | 41              | 85       | 84.5 |

|         |      |         |      |     |
|---------|------|---------|------|-----|
| PROJECT | FIRM | ORDER # | TYPE | QTY |
|---------|------|---------|------|-----|

## CURVED RUNS

The short power/signal input cable at one end of each fixture can extend by 0.35" (9mm) to assist with connection/disconnection and also to permit angular alignment (up to 45° max) between neighboring units.

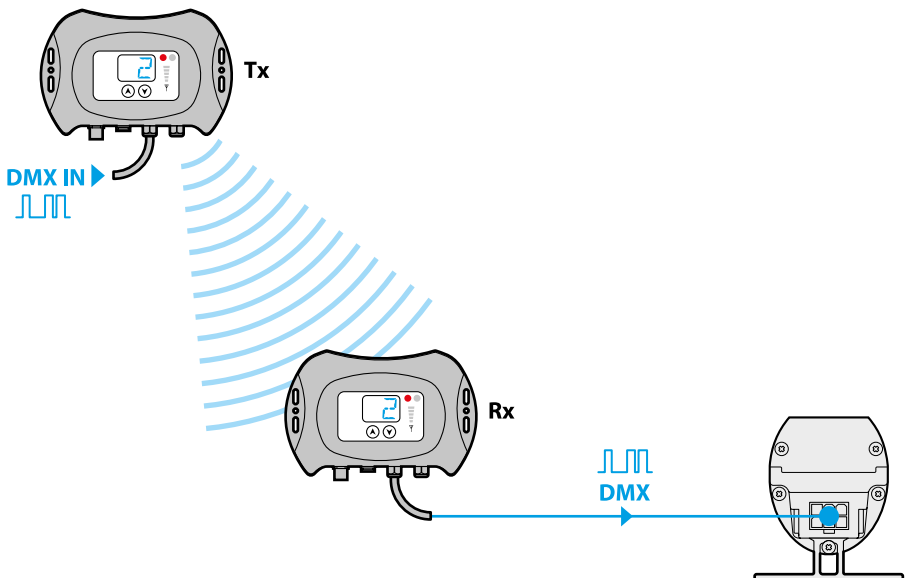


## OPTIONAL CONTROL ARRANGEMENTS

### Wireless DMX operation

(via Aria wireless DMX transceivers)

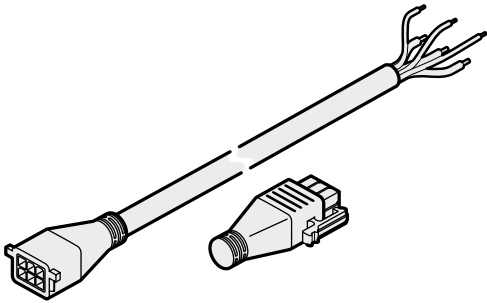
Using a pair of Acclaim Lighting Aria wireless transceivers it is possible to transmit a DMX signal over distances up to 2600 feet (792m) line of sight to the Adapt Linear DMX installation:



PROJECT \_\_\_\_\_ FIRM \_\_\_\_\_ ORDER # \_\_\_\_\_ TYPE \_\_\_\_\_ QTY \_\_\_\_\_

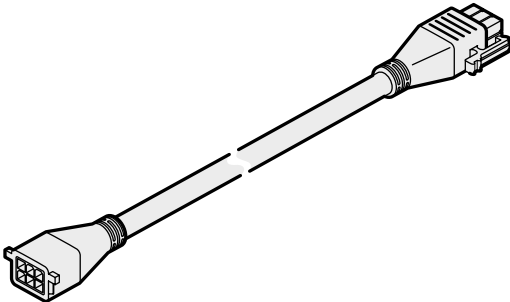
## RELATED COMPONENTS

### Feed cables (includes terminator end cap)



|           |                |                                      |
|-----------|----------------|--------------------------------------|
| 10' (3m)  | White<br>Black | <b>APXFC10-W</b><br><b>APXFC10-B</b> |
| 50' (15m) | White<br>Black | <b>APXFC50-W</b><br><b>APXFC50-B</b> |

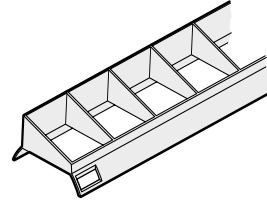
### Link cables



|           |                |                                      |
|-----------|----------------|--------------------------------------|
| 6" (15cm) | White<br>Black | <b>APXLC05-W</b><br><b>APXLC05-B</b> |
| 1' (30cm) | White<br>Black | <b>APXLC1-W</b><br><b>APXLC1-B</b>   |
| 5' (1.5m) | White<br>Black | <b>APXLC5-W</b><br><b>APXLC5-B</b>   |
| 10' (3m)  | White<br>Black | <b>APXLC10-W</b><br><b>APXLC10-B</b> |

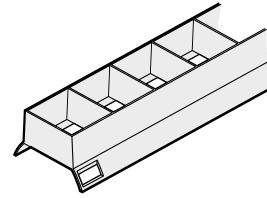
### Optional beam accessories

#### Half louvers



|            |                                  |  |
|------------|----------------------------------|--|
| 1' (30cm)  | White<br>Gray<br>Black<br>Custom | <b>ADLHLV1W</b><br><b>ADLHLV1G</b><br><b>ADLHLV1B</b><br><b>ADLHLV1C</b> |
| 4' (122cm) | White<br>Gray<br>Black<br>Custom | <b>ADLHLV4W</b><br><b>ADLHLV4G</b><br><b>ADLHLV4B</b><br><b>ADLHLV4C</b> |

#### Full louvers



|            |                                  |  |
|------------|----------------------------------|--|
| 1' (30cm)  | White<br>Gray<br>Black<br>Custom | <b>ADLLV1W</b><br><b>ADLLV1G</b><br><b>ADLLV1B</b><br><b>ADLLV1C</b> |
| 4' (122cm) | White<br>Gray<br>Black<br>Custom | <b>ADLLV4W</b><br><b>ADLLV4G</b><br><b>ADLLV4B</b><br><b>ADLLV4C</b> |

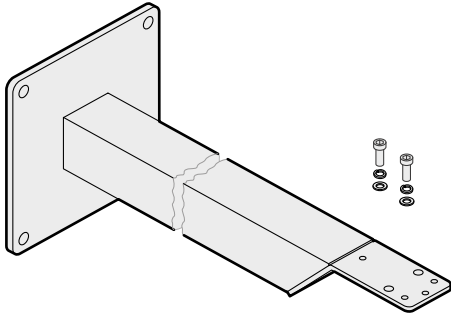


SCAN FOR PRODUCT PAGE

PROJECT  FIRM  ORDER #  TYPE  QTY

## Optional mounting accessories

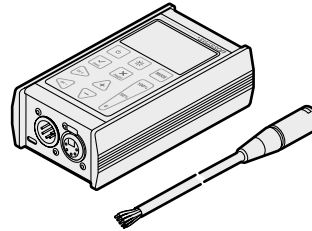
### Extender bars



|           |        |                 |
|-----------|--------|-----------------|
| 6" (15cm) | White  | <b>ADLEB05W</b> |
|           | Gray   | <b>ADLEB05G</b> |
|           | Black  | <b>ADLEB05B</b> |
|           | Custom | <b>ADLEB05C</b> |
| 1' (30cm) | White  | <b>ADLEB1W</b>  |
|           | Gray   | <b>ADLEB1G</b>  |
|           | Black  | <b>ADLEB1B</b>  |
|           | Custom | <b>ADLEB1C</b>  |
| 2' (61cm) | White  | <b>ADLEB2W</b>  |
|           | Gray   | <b>ADLEB2G</b>  |
|           | Black  | <b>ADLEB2B</b>  |
|           | Custom | <b>ADLEB2C</b>  |
| 3' (91cm) | White  | <b>ADLEB3W</b>  |
|           | Gray   | <b>ADLEB3G</b>  |
|           | Black  | <b>ADLEB3B</b>  |
|           | Custom | <b>ADLEB3C</b>  |

## Configuration tool

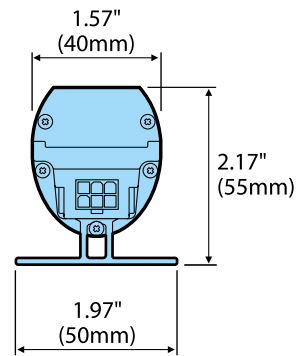
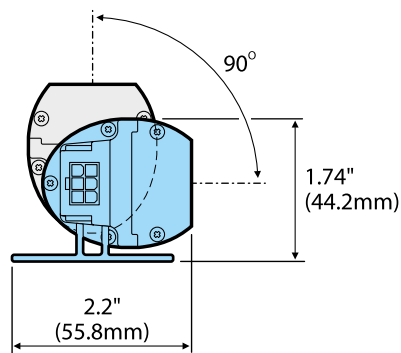
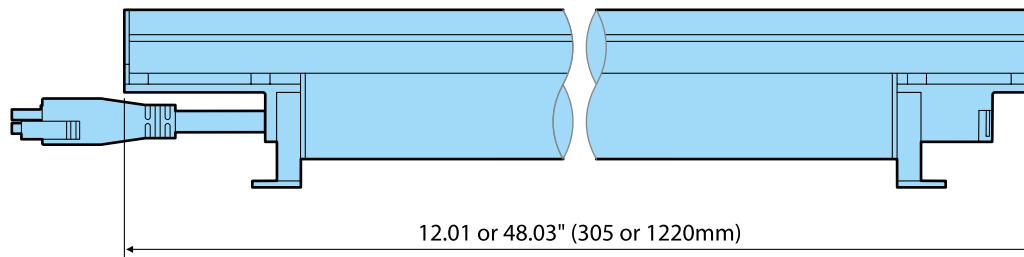
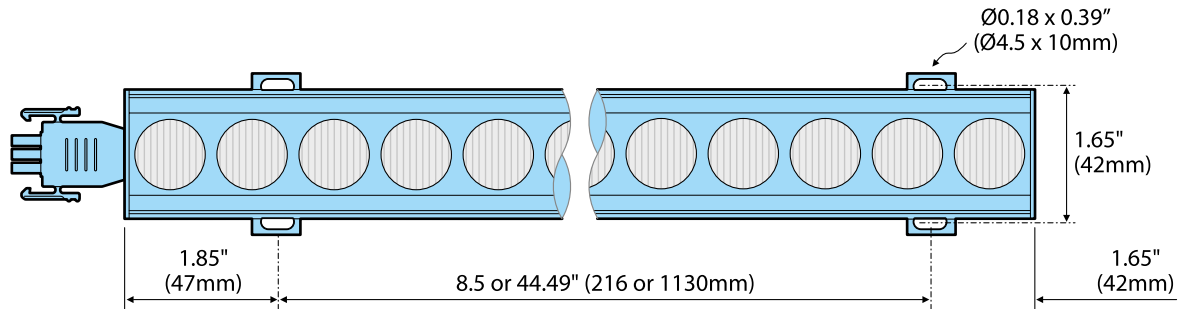
### DMX/RDM control accessory



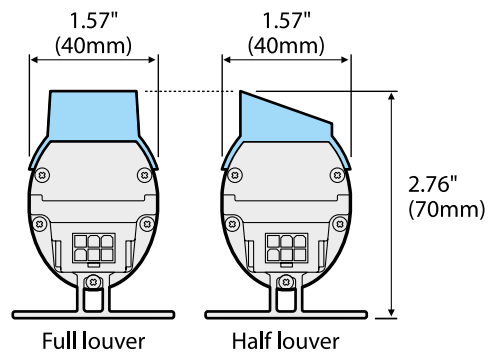
Part # **XMT350**

PROJECT  FIRM  ORDER#  TYPE  QTY

## DIMENSIONS



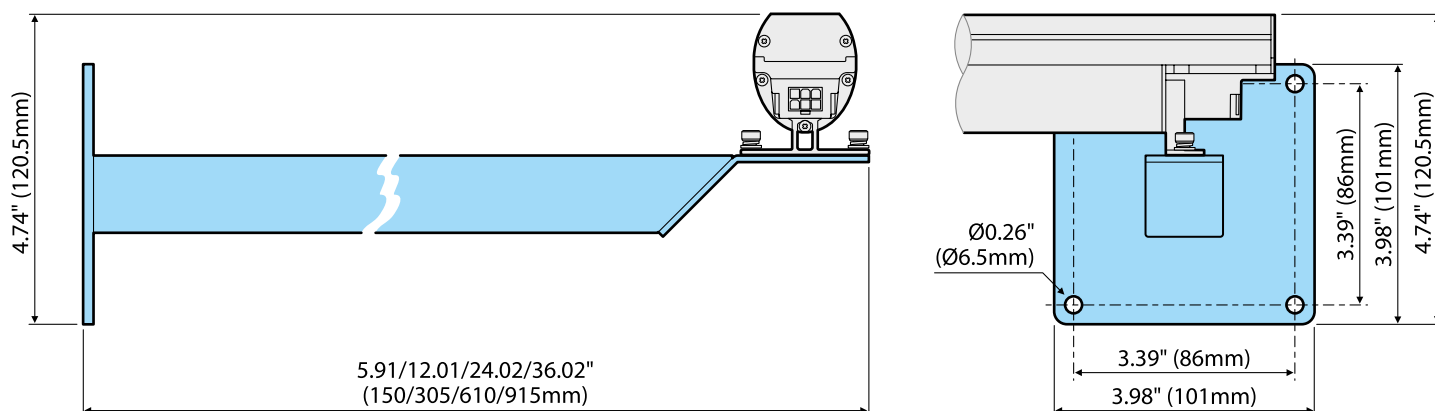
with optional louver



PROJECT  FIRM  ORDER #  TYPE  QTY

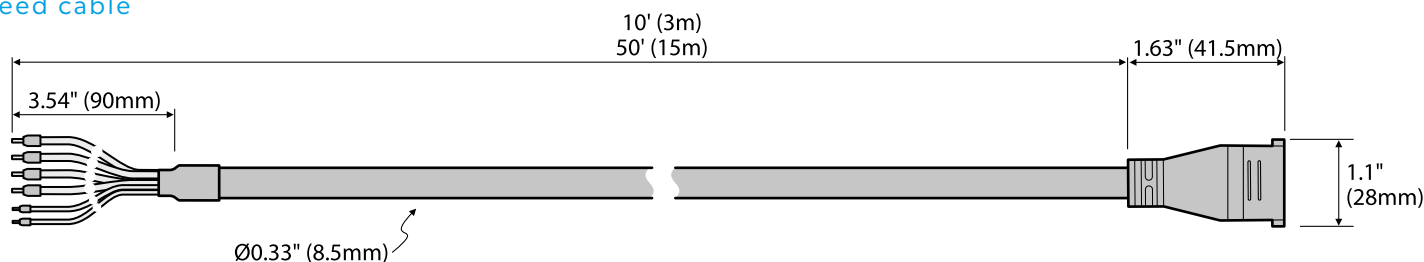
## DIMENSIONS

### Optional extender bars

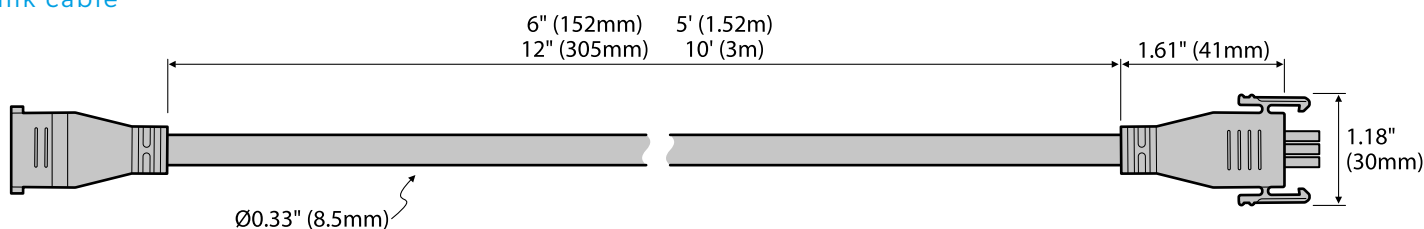


### Cables

#### Feed cable



#### Link cable



For full installation details, please refer to the **user guide**, available for free download here:

